

# PREFACE

This spare parts manual is drawn based on real objects of the **CDM6365H** hydraulic excavator, detailing in illustrations all parts (including standard parts, accessories and optional parts) fitted with **CDM6365H** hydraulic excavator. Model and nameplate of the hydraulic excavator are marked in the noticeable place. Consumers, who are purchasing spare parts, may clearly mark, in the order, model and serial number of purchased excavator, and code, name and quantity of required parts.

With performance of hydraulic excavator increasingly improving and product design level rising, our company will better quality of some parts without further notice. Please contact dealers for any inquiries. Your attention will be appreciated.

For undetachable parts (weld assembly and riveted parts etc.) listed in this catalog, only part numbers are marked; for some of bought-in components, only structure diagrams are provided. Please note that bought-in components and their structures may have some differences.

This is the **first** issued version. We will appreciate corrections and editing suggestions from experts or readers may point out and correct our editing errors.

All rights reserved, unauthorized duplication and publish are a violation of applicable laws.

**LONKING EXCAVATOR STRATEGIC BUSINESS UNIT**



**December, 2012**



# 目 录

## CONTENTS

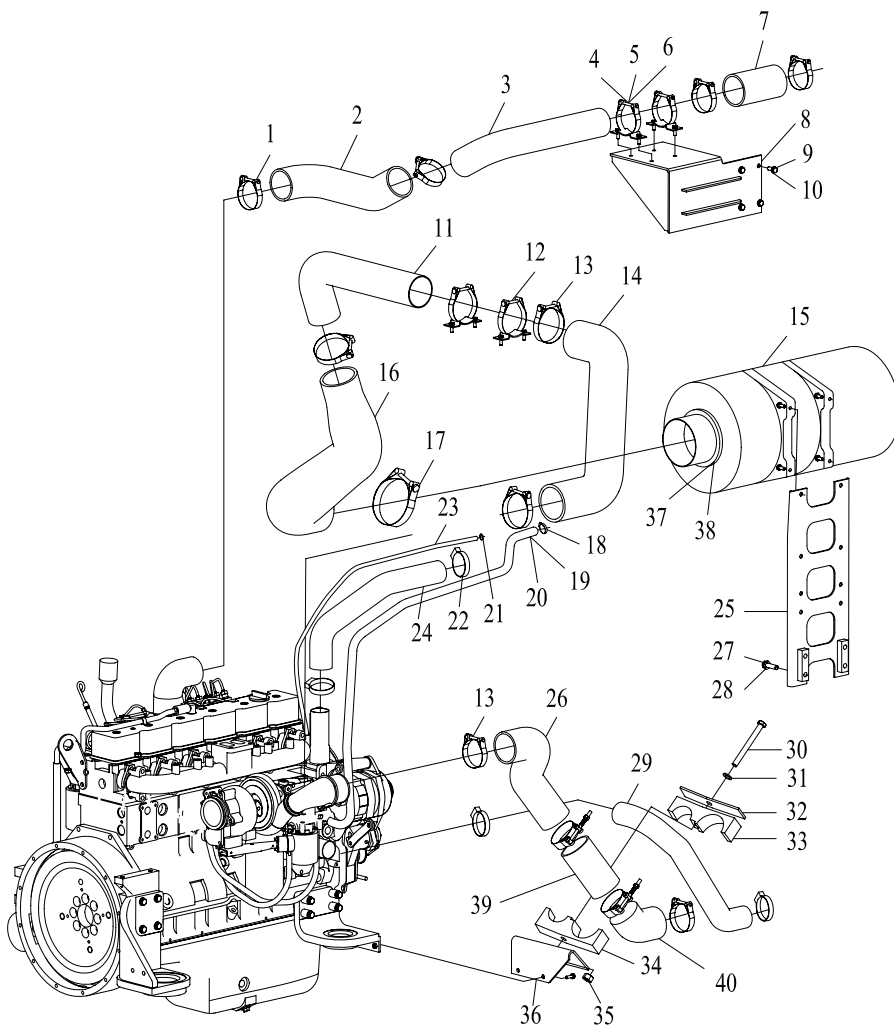
01	发动机 I ENGINE I .....	1
02	发动机 II ENGINE II .....	5
03	发动机 III ENGINE III.....	7
04	发动机 IV ENGINE IV.....	9
05	发动机 V ENGINE V.....	11
06	散热器 RADIATOR.....	13
07	下车总成 UNDERCARRIAGE ASS'Y.....	15
08	回转驱动装置 SWING DRIVING DEVICE.....	17
09	引导轮 FRONT IDLER.....	19
10	支重轮 TRACK ROLLER.....	21
11	托链轮 CARRIER ROLLER.....	23
12	涨紧装置 IDLER CUSHION.....	25
13	履带 TRACK SHOE.....	27
14	平台底封板 PLATFORM BOTTOM COVER PLATE.....	29
15	中央回转接头 CENTRAL SWING CONNECTOR.....	31
16	手柄装置 I HANDLE ASS'Y I .....	33
17	手柄装置 II HANDLE ASS'Y II .....	35
18	手柄装置 III HANDLE ASS'Y III.....	37
19	主泵管路 MAIN PUMP LINES.....	39
20	先导管路 I PILOT LINES I .....	41
21	先导管路 II PILOT LINES II .....	45
22	操纵管路 CONTROL SYSTEM.....	47
23	回油管路 I OIL RETURN LINES I .....	49
24	回油管路 II OIL RETURN LINES II.....	51
25	下车管路 CHASSIS LINES.....	53
26	工作管路 WORK LINES.....	55
27	动臂润滑管路 BOOM LUBRICATION LINES.....	59

28	动臂润滑管路(短臂) BOOM LUBRICATION LINES (SHORTENED TYPE) .....	61
29	工作装置管路 COMPLEMENT LINES.....	63
30	工作装置管路(短臂) COMPLEMENT LINES (SHORTENED TYPE) .....	65
31	工作装置管路(加长臂) COMPLEMENT LINES (LENGTHENED TYPE) .....	67
32	破碎锤管路 BREAKER LINES.....	69
33	液压油箱 HYDRAULIC OIL TANK.....	71
34	燃油箱 FUEL TANK.....	73
35	配重总成 COUNTER WEIGHT ASS'Y.....	75
36	隔热板 THERMAL BAFFLE.....	77
37	左门 LEFT DOOR.....	79
38	右门 RIGHT DOOR.....	81
39	扶手 HANDRAIL.....	83
40	机罩 HOOD.....	85
41	动臂总成 BOOM ASS'Y.....	87
42	动臂总成(短臂) BOOM ASS'Y (SHORTENED TYPE) .....	89
43	动臂总成(加长臂) BOOM ASS'Y (LENGTHENED TYPE) .....	91
44	斗杆总成 ARM ASS'Y.....	93
45	斗杆总成(短臂) ARM ASS'Y (SHORTENED TYPE) .....	95
46	斗杆总成(加长臂) ARM ASS'Y (LENGTHENED TYPE) .....	97
47	铲斗总成 BUCKET ASS'Y.....	99
48	铲斗总成(加长臂) BUCKET ASS'Y (LENGTHENED TYPE) .....	101
49	动臂油缸 BOOM CYLINDER.....	103
50	斗杆油缸 ARM CYLINDER.....	107
51	铲斗油缸 BUCKET CYLINDER.....	111
52	驾驶室 I OPERATOR'S CAB I .....	115
53	驾驶室 II OPERATOR'S CAB II.....	117
54	驾驶室 III OPERATOR'S CAB III.....	119
55	驾驶室 IV OPERATOR'S CAB IV.....	121
56	驾驶室 V OPERATOR'S CAB V .....	123
57	驾驶室 VI OPERATOR'S CAB VI.....	125

58	驾驶室 VII OPERATOR'S CAB VII.....	127
59	座椅安装 I SEAT MOUNTING I .....	129
60	座椅安装 II SEAT MOUNTING II .....	131
61	工具箱 TOOL KIT.....	133
62	盖板总成 I COVER BOARD ASS'Y I .....	135
63	盖板总成 II COVER BOARD ASS'Y II .....	137
64	支架总成 I BRACKET ASS'Y I .....	139
65	支架总成 II BRACKET ASS'Y II .....	141
66	支架总成 III BRACKET ASS'Y III.....	143
67	空调系统 I AIR CONDITIONER SYSTEM I .....	145
68	空调系统 II AIR CONDITIONER SYSTEM II .....	147
69	电气系统 I ELECTRICAL SYSTEM I .....	149
70	电气系统 II ELECTRICAL SYSTEM II .....	151
71	电气系统 III ELECTRICAL SYSTEM III.....	153
72	电气系统 IV ELECTRICAL SYSTEM IV.....	155
73	铭牌安置图 I NAMEPLATE RECOGNITION I .....	157
74	铭牌安置图 II NAMEPLATE RECOGNITION II .....	159
75	铭牌安置图 III NAMEPLATE RECOGNITION III.....	161
76	铭牌安置图 IV NAMEPLATE RECOGNITION IV.....	163

# 01 发动机 I

## ENGINE I

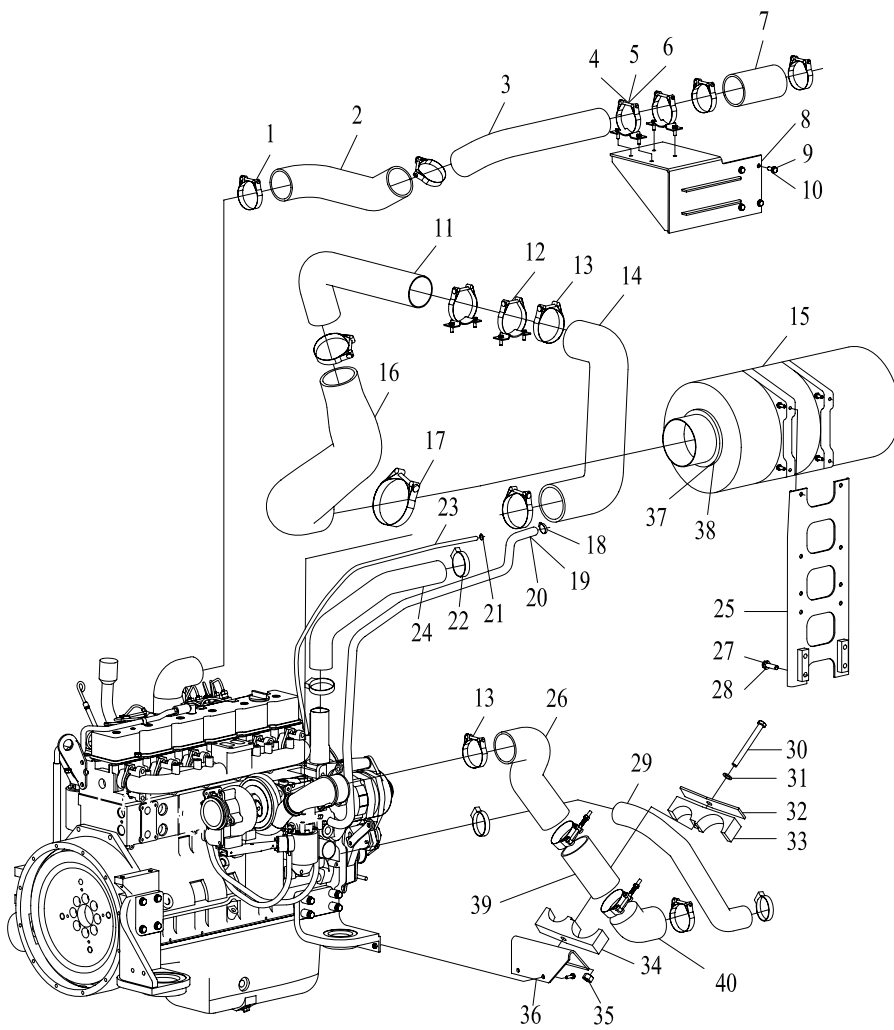


## 01 发动机 I ENGINE I

序号 NO.	代号 CODE	零件名称	PART NAME	数量 QTY	代码 S. C	备注 NOTE
1	STBH105	卡箍Φ97-105	CLAMP Φ97-105	9		
2	LG6360.01-10	进气胶管 II	AIR INTAKE HOSE 2	1		
3	LG6360.01.14	进气硬管 I	AIR INTAKE PIPE 1	1		
4	MQCP20	管夹89-92	PIPE CLAMP 89-92	2		
5	GB/T5783	螺栓 M8×20	BOLT M8×20	12		
6	GB/T97.1	垫圈8	WASHER 8	18		
7	IC9275	进气软管	AIR INTAKE HOSE	1		
8	LG6360.01.16	进气管支架	AIR INTAKE PIPE HOLDER	1		
9	GB/T5783	螺栓 M10×25	BOLT M10×25	20		
10	GB/T97.1	垫圈10	WASHER 10	28		
11	LG6360.01.15	进气硬管 II	AIR INTAKE HOSE 2	1		
12	MQCP20	管夹98-103	PIPE CLAMP98-103	2		
13	SAE J1508	卡箍 SLTB-114~122/19	CLAMP SLTB-114~122/19	3		
14	LG6360.01-11	进气胶管 III	AIR INTAKE HOSE 3	1		
15	G158394	空气滤清器	AIR CLEANER	1		
16	LG6360.01-09	进气胶管 I	AIR INTAKE HOSE 1	1		
17	STBH173	卡箍Φ165-173	CLAMP Φ165-173	1		
18	G9H2032	卡箍Φ20-32	CLAMP Φ20-32	2		
19	Q/GHXF23	胶管19/29×1650	HOSE 19/29×1650	1		
20	S80312	3/4-19转换接头	3/4-19 TRANSITION CONNECTOR	1		
21	SB120	弹簧卡箍Φ12	SPRING CLAMP Φ12	3		
22	STBH75	卡箍Φ67-75	CLAMP Φ67-75	4		
23	Q/GHXF23	胶管8/15.5×700	HOSE 8/15.5×700	1		
24	LG6360.01-12	出水管	WATER OUTLET HOSE	1		
25	LG6360.01.08	空滤支架	AIR CLEANER BRACKET	1		
26	LG6360.01-19	进气胶管 V	AIR INTAKE HOSE 5	1		
27	GB/T5782	螺栓 M12×50	BOLT M12×50	4		
28	GB/T1230	垫圈12	WASHER 12	36		
29	LG6360.01-04	进水管	WATER INLET HOSE	1		
30	GB/T5782	螺栓 M16×160	BOLT M16×160	1		
31	GB/T97.1	垫圈16	WASHER 16	2		
32	LG6360.01-06	压板	PRESS PLATE	1		
33	LG6360.01-07	上夹块	UPPER CLAMP	1		
34	LG6360.01-08	下夹块	LOWER CLAMP	1		
35	GB/T6170	螺母 M16	NUT M16	1		
36	LG6360.01-13	支架	BRACKET	1		
37	P836913	内滤芯	INNER ELEMENT	1		

# 01 发动机 I

## ENGINE I

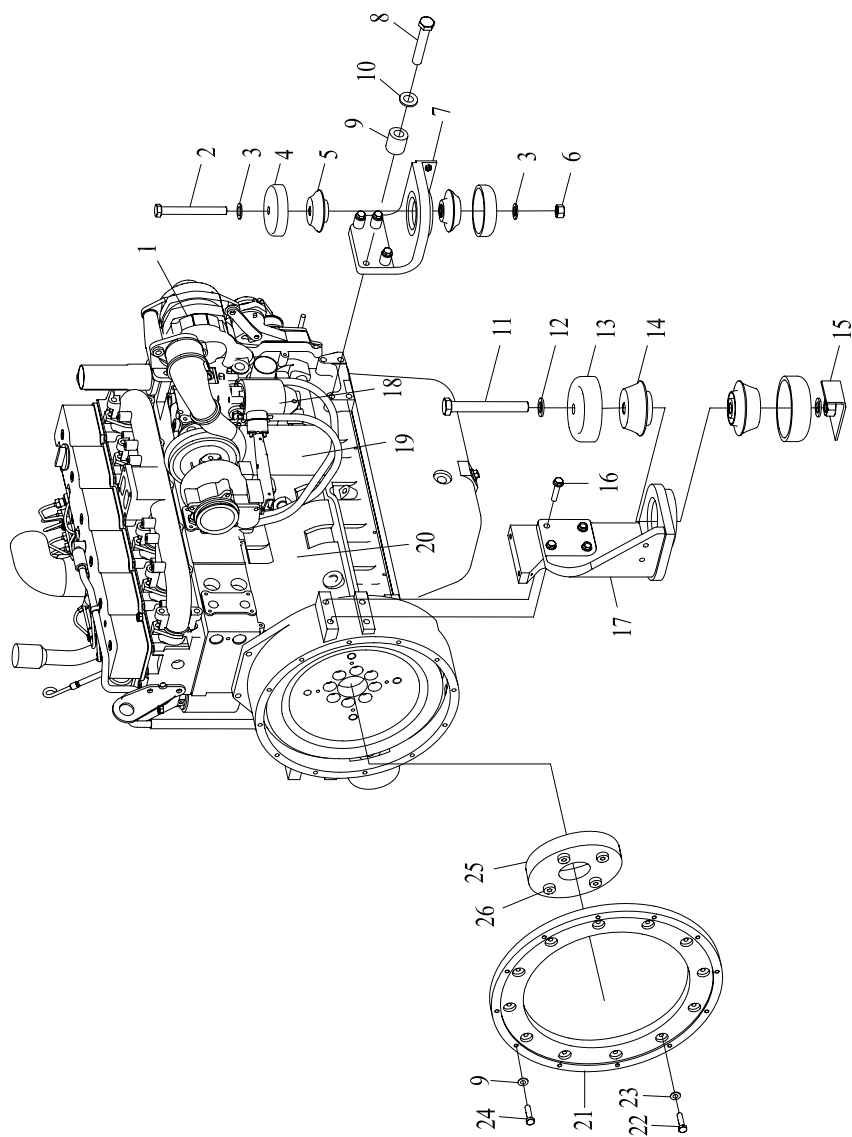




01 发动机 I  
ENGINE I

序号 NO.	代号 CODE	零件名称	PART NAME	数量 QTY	代码 S. C	备注 NOTE
38	P812559	外滤芯	OUTER ELEMENT	1		
39	LG6360.01-17	进气硬管III	AIR INTAKE PIPE 3	1		
40	LG6360.01-18	进气胶管IV	AIR INTAKE HOSE 4	1		

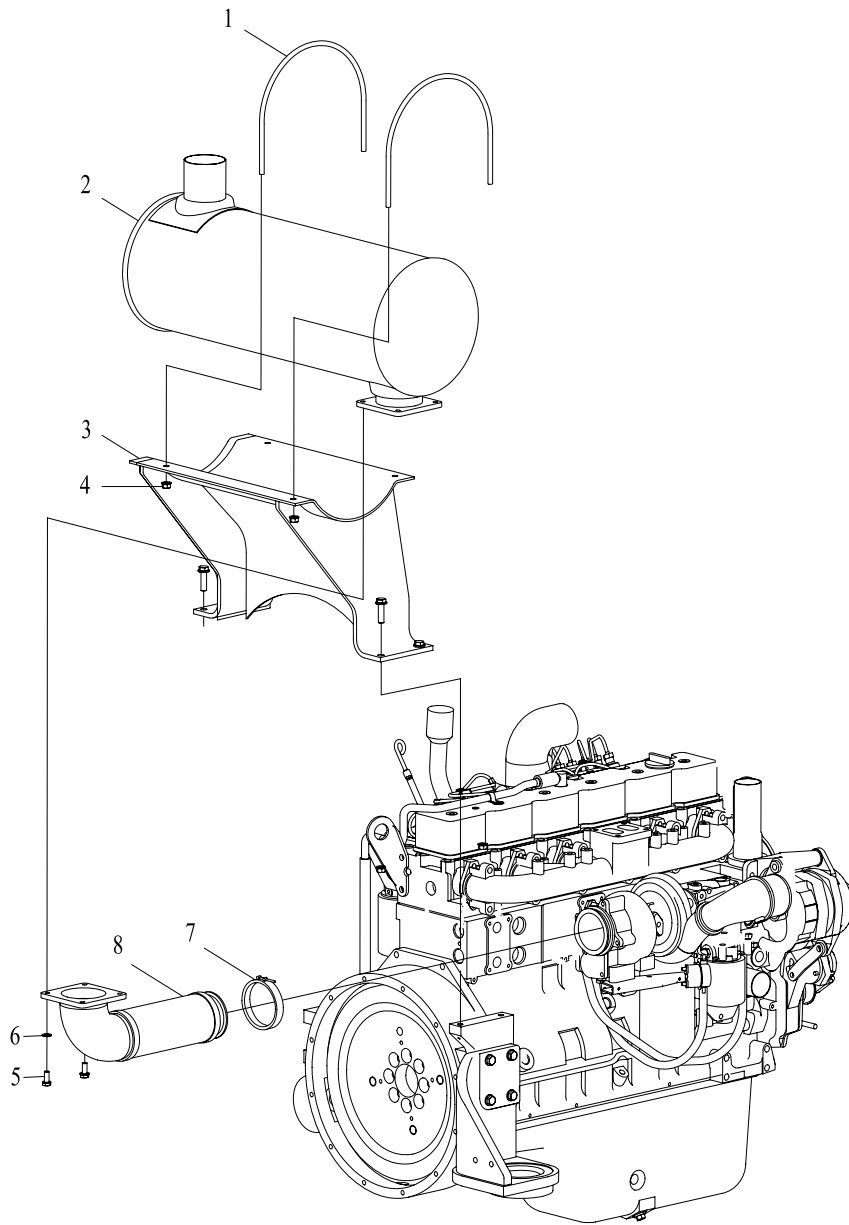
02 发动机 II  
ENGINE II



## 02 发动机 II ENGINE II

序号 NO.	代号 CODE	零件名称	PART NAME	数量 QTY	代码 S. C	备注 NOTE
1	2874863	发电机	ALTERNATOR	1		
2	GB/T5782	螺栓 M18×160	BOLT M18×160	2		
3	GB/T1230	垫圈18	WASHER 18	4		
4	23S-01-11140-03	前减震器护罩	HOOD, FRONT SHOCK ABSORBER	4		
5	23S-01-11140	前减震器	FRONT SHOCK ABSORBER	4		
6	GB/T6170	螺母 M18	NUT M18	2		
7	LG6360. 01. 03	右后支座	REAR BRACKET, RIGHT	1		
8	GB/T5782	螺栓 M12×70	BOLT M12×70	8		
9	GB/T1230	垫圈12	WASHER 12	36		
10	LG6360. 01-02	垫块	HEEL BLOCK	8		
11	GB/T5782	螺栓 M24×220	BOLT M24×220	2		
12	GB/T1230	垫圈24	WASHER 24	4		
13	208-01-55220-03	防护罩	HOOD	4		
14	208-01-55220	后减震垫	REAR SHOCK PAD	4		
15	LG6360. 01. 11	固定座	SUPPORT	2		
16	GB/T5782	螺栓 M12×80	BOLT M12×80	8		
17	LG6360. 01. 12	左后支座	REAR BRACKET, LEFT	1		
18	F076-B-001	油水分离器	WATER SEPARATOR	1		
19	3401544	机油滤芯	ELEMENT, OIL FILTER	1		
20	6C8. 3	发动机	ENGINE	1	02145	
21	LG6360. 01-03	联接盘	CONJUNCTIVE PLATE	1		
22	GB/T5783	螺栓 M10×25	BOLT M10×25	20		
23	GB/T97. 1	垫圈10	WASHER 10	28		
24	GB/T5783	螺栓 M12×45	BOLT M12×45	16		
25	CF-H-160-01-C0043	联轴器	COUPLING	1	14166	
26	GB/T70. 1	螺钉 M20×55	BOLT M20×55	4		

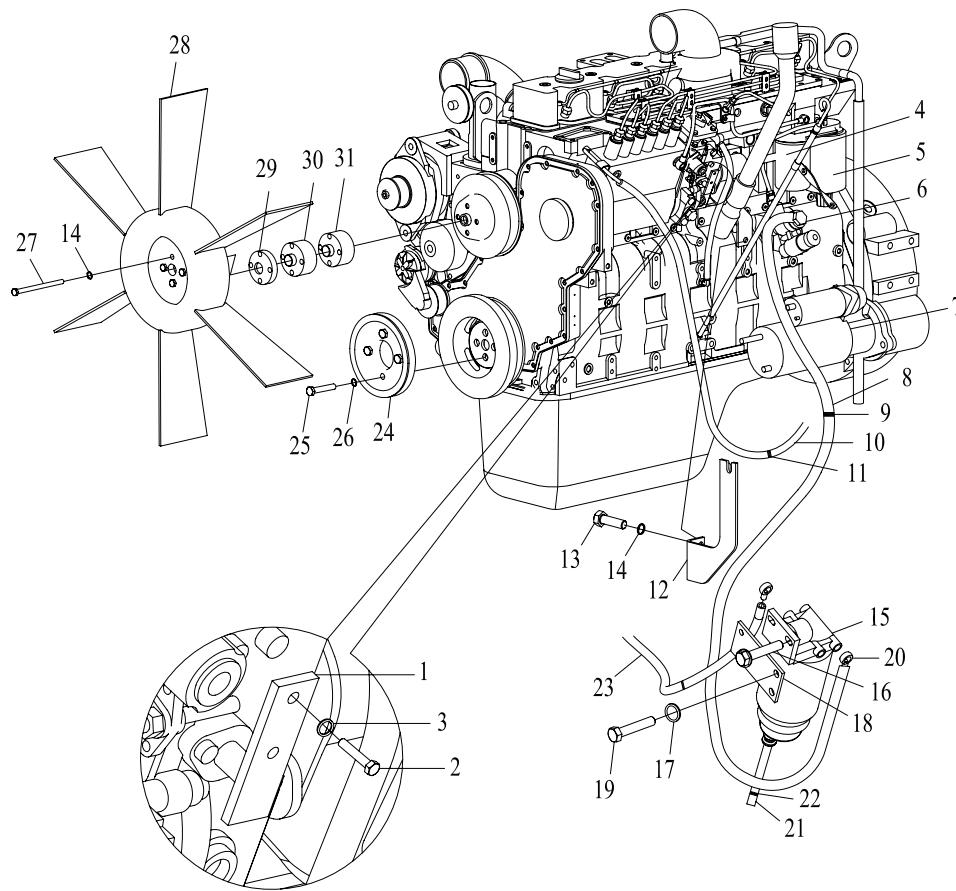
# 03 发动机 III ENGINE III



### 03 发动机 III ENGINE III

序号 NO.	代号 CODE	零件名称	PART NAME	数量 QTY	代码 S. C	备注 NOTE
1	LG6360.01-01	U型螺栓	U BOLT	2		
2	XJG-LG-36-000	消声器	MUFFLER	1		
3	LG6360.01.01	消声器支架	MUFFLER HOLDER	1		
4	GB/T6170	螺母 M10	NUT M10	4		
5	GB/T5783	螺栓 M10×25	BOLT M10×25	20		
6	GB/T97.1	垫圈10	WASHER 10	28		
7	XS9258	排气管接头	EXHAUST PIPE CONNECTOR	1		
8	LG6360.01.02	排气管	EXHAUST PIPE	1		

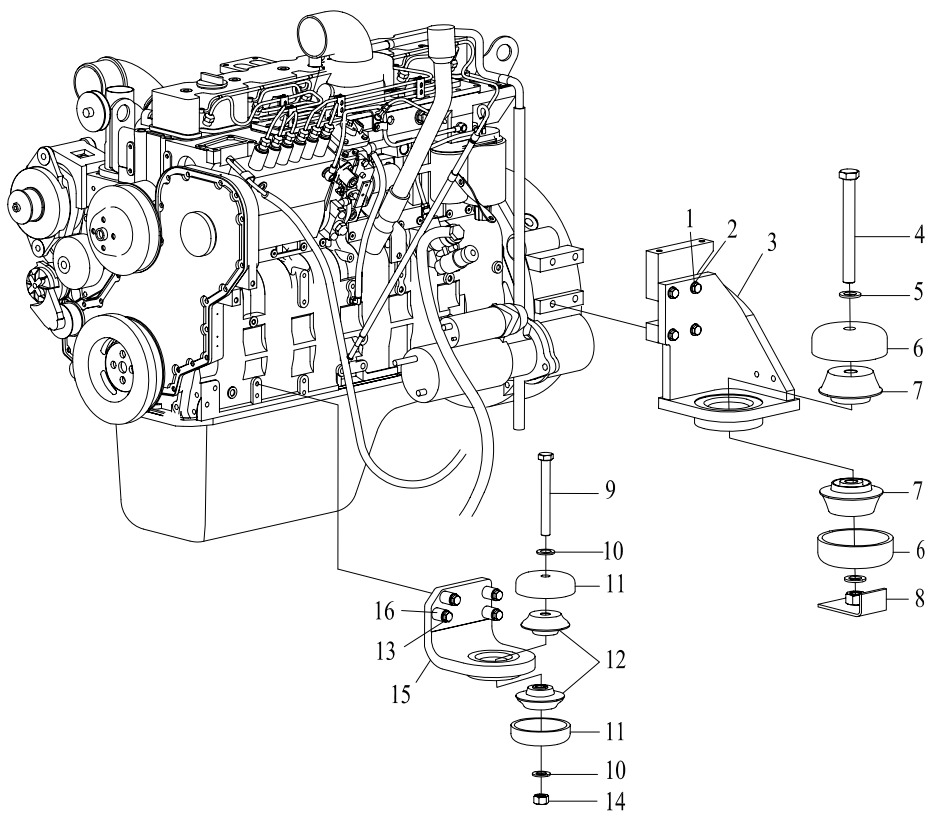
# 04 发动机 IV ENGINE IV



## 04 发动机 IV ENGINE IV

序号 NO.	代号 CODE	零件名称	PART NAME	数量 QTY	代码 S. C	备注 NOTE
1	LG6360.01-14	油门转换板	THROTTLE SWITCH PLATE	1		
2	GB/T5783	螺栓 M5×15	BOLT M5×15	2		
3	GB/T97.1	垫圈5	WASHER 5	2		
4	FF5052L0K	燃油滤清器	FUEL FILTER	1		
5	LF3806L0K	机油滤清器	ENGINE OIL FILTER	1		
6	S80309	1/2-13转换接头	1/2-13 TRANSITION CONNECTOR	1		
7	5256416	启动马达	START MOTOR	1		
8	Q/GHXF23	燃油管12/22×2600	FUEL PIPE 12/22×2600	1		
9	G9H1625	卡箍16-25	CLAMP 16-25	6		
10	Q/GHXF23	燃油管8/17.5×2800	FUEL PIPE 8/17.5×2800	1		
11	G9H1222	卡箍Φ12-22	CLAMP Φ12-22	2		
12	LG6360.01.05	油门支架	BRACKET, THROTTLE	1		
13	GB/T5783	螺栓 M10×25	BOLT M10×25	20		
14	GB/T97.1	垫圈10	WASHER 10	28		
15	F076-B-001	油水分离器	WATER SEPARATOR	1	02291	
16	GB/T5783	螺栓 M8×30	BOLT M8×30	2		
17	GB/T97.1	垫圈8	WASHER 8	18		
18	LG6360.01.07	油水分离器支架	BRACKET, WATER SEPARATOR	1		
19	GB/T5783	螺栓 M8×25	BOLT M8×25	4		
20	LG6360.01.19	铰接接头	HINGED CONNECTOR	2		
21	HG/T2491-93	胶管8/12×1600	HOSE 8/12×1600	1		
22	SB100	弹簧卡箍Φ10	SPRING CLAMP Φ10	1		
23	Q/GHXF23	燃油管12/22×1000	FUEL PIPE 12/22×1000	1		
24	3934529	曲轴皮带轮	BELT ROLLER, CRANKSHAFT	1		
25	GB/T5783	螺栓 M12×45	BOLT M12×45	16		
26	GB/T1230	垫圈12	WASHER 12	36		
27	GB/T5782	螺栓 M10×155	BOLT M10×155	4		
28	780-6-45	风扇	FAN	1		
29	CDM6210.17-11	风扇垫板	SHIM PLATE, FAN	1		
30	SP9078	风扇垫块	HEEL BLOCK, FAN	1		
31	3910129	风扇垫块	HEEL BLOCK, FAN	1		

05 发动机 V  
ENGINE V

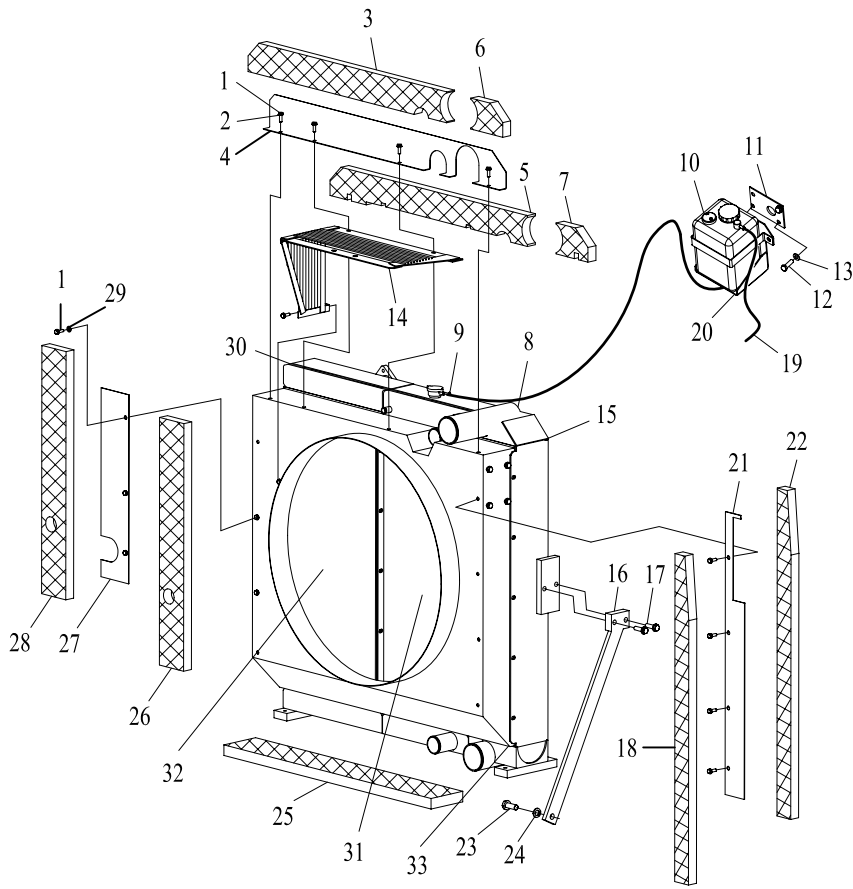




## 05 发动机 V ENGINE V

序号 NO.	代号 CODE	零件名称	PART NAME	数量 QTY	代码 S. C	备注 NOTE
1	GB/T5782	螺栓 M12×80	BOLT M12×80	8		
2	GB/T1230	垫圈12	WASHER 12	36		
3	LG6360.01.13	左前支座	FRONT BRACKET, LEFT	1		
4	GB/T5782	螺栓 M24×220	BOLT M24×220	2		
5	GB/T1230	垫圈24	WASHER 24	4		
6	208-01-55220-03	防护罩	HOOD	4		
7	208-01-55220	后减震垫	REAR SHOCK PAD	4		
8	LG6360.01.11	固定座	SUPPORT	2		
9	GB/T5782	螺栓 M18×160	BOLT M18×160	2		
10	GB/T1230	垫圈18	WASHER 18	4		
11	23S-01-11140-03	前减震器护罩	HOOD, FRONT SHOCK ABSORBER	4		
12	23S-01-11140	前减震器	FRONT SHOCK ABSORBER	4		
13	GB/T5782	螺栓 M12×70	BOLT M12×70	8		
14	GB/T6170	螺母 M18	NUT M18	2		
15	LG6360.01.10	右前支座	FRONT BRACKET, RIGHT	1		
16	LG6360.01-02	垫块	HEEL BLOCK	8		

# 06 散热器 RADIATOR

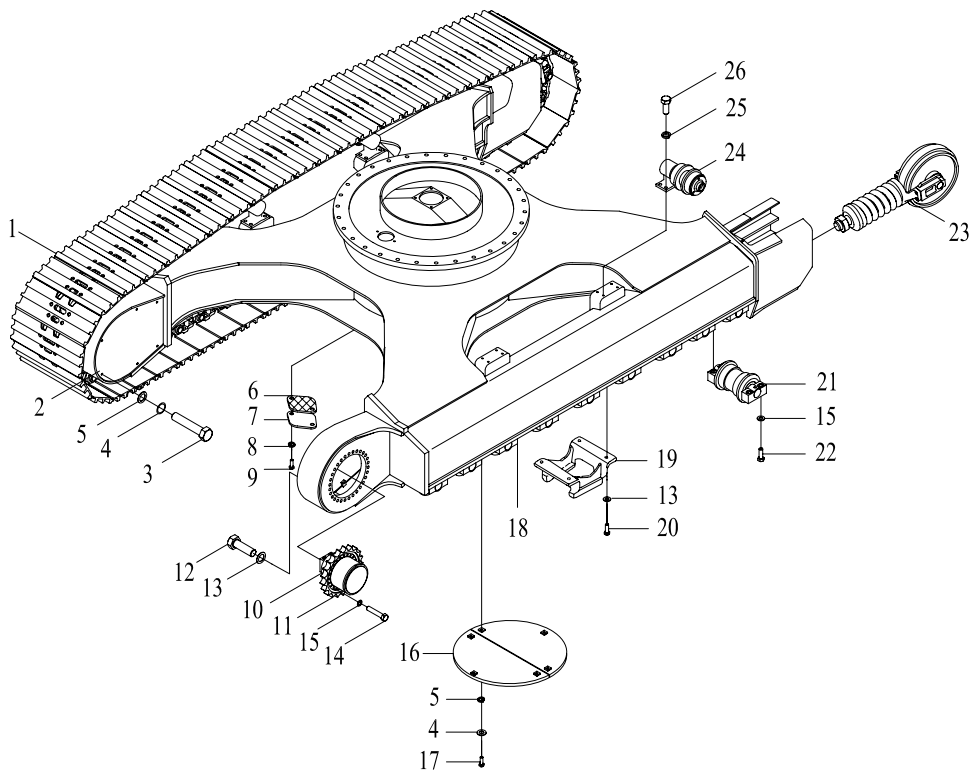


## 06 散热器 RADIATOR

序号 NO.	代号 CODE	零件名称	PART NAME	数量 QTY	代码 S. C	备注 NOTE
1	GB/T5783	螺栓 M8×20	BOLT M8×20	16		
2	GB/T97. 1	垫圈8	WASHER 8	16		
3	LG6360. 01. 04-03	海绵 II	SPONGE 2	1		
4	LG6360. 01. 04-02	隔热板 I	BAFFLE 1	1		
5	LG6360. 01. 04-01	海绵 I	SPONGE 1	1		
6	LG6360. 01. 04-05	海绵IV	SPONGE 4	1		
7	LG6360. 01. 04-04	海绵III	SPONGE 3	1		
8	HG/T2491-93	胶管8/12×1600	HOSE 8/12×1600	1		
9	SB100	弹簧卡箍Φ10	SPRING CLAMP Φ10	3		
10	20Y-06-15240	副水箱	AUXILIARY WATER TANK	1	14168	
11	LG6360. 01. 17	支座	SUPPORT	1		
12	GB/T5783	螺栓 M12×25	BOLT M12×25	2		
13	GB/T1230	垫圈12	WASHER 12	4		
14	LG6360. 01. 04. 02	护网	PROTECTING WIRE NET	1		
15	4973. 006. 1000	散热器	RADIATOR	1	11. 01. 158	
16	LG6360. 01. 04. 01	撑杆	BRACE ROD	1		
17	GB/T5782	螺栓 M12×45	BOLT M12×45	2		
18	LG6360. 01. 04-06	海绵 V	SPONGE 5	1		
19	HG/T2491-93	胶管8/12×850	HOSE 8/12×850	1		
20	CDM6210. 17. 16	副水箱支架	SUPPORT, AUXILIARY WATER TANK	1		
21	LG6360. 01. 04-07	隔热板 II	BAFFLE 2	1		
22	LG6360. 01. 04-08	海绵 VI	SPONGE 6	1		
23	GB/T5782	螺栓 M16×50	BOLT M16×50	1		
24	GB/T1230	垫圈16	WASHER 16	1		
25	LG6360. 01. 04-09	海绵 VII	SPONGE 7	1		
26	LG6360. 01. 04-10	海绵 VIII	SPONGE 8	1		
27	LG6360. 01. 04-11	隔热板 III	BAFFLE 3	1		
28	LG6360. 01. 04-12	海绵 IX	SPONGE 5	1		
29	GB/T96. 1	垫圈8	WASHER 8	10		
30	WD018	密封条 L=1300	SEAL STRIP L=1300	1		
31	4973. 006. 2000	水散	WATER RADIATOR	1		
32	4973. 006. 1000	油箱	OIL TANK	1		
33	4973. 006. 3000	中冷器	INTERCOOLER	1		

# 07 下车总成

## UNDERCARRIAGE ASS'Y

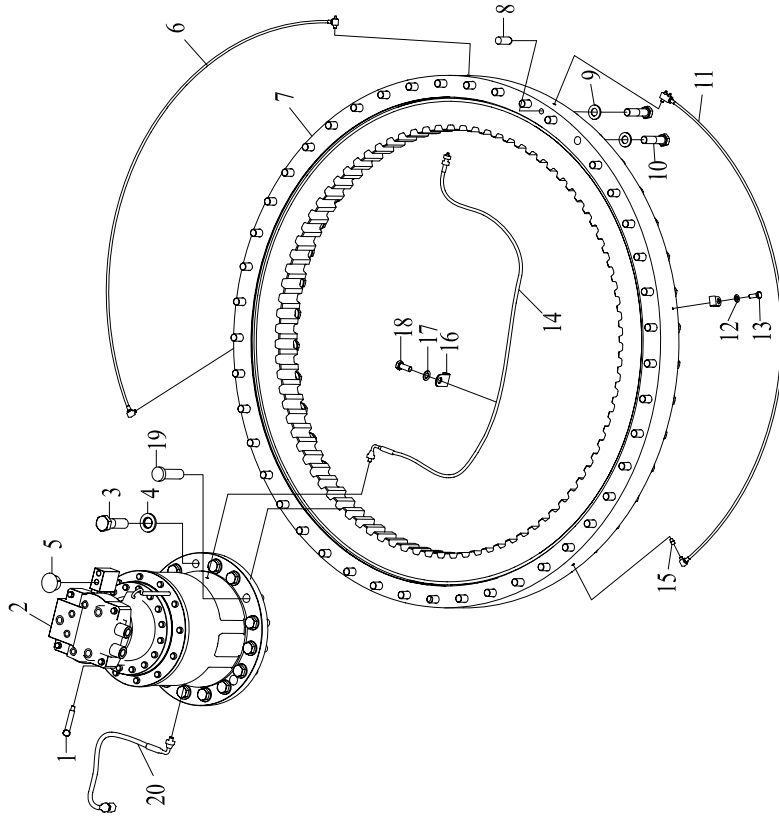


## 07 下车总成

## UNDERCARRIAGE ASS'Y

序号 NO.	代号 CODE	零件名称	PART NAME	数量 QTY	代码 S. C	备注 NOTE
1	KU216H0/48×110×600	履带总成	TRACK SHOE ASS'Y	2	11072	48 节 48 JOINTS
2	LG6360. 13-01	盖板	COVER PLATE	2		
3	GB/T5783	螺栓 M12×25	BOLT M12×25	12		
4	GB/T93	弹簧垫圈12	SPRING WASHER 12	12		
5	GB/T97. 1	垫圈12	WASHER 12	12		
6	LG6230. 13-04	橡胶垫	RUBBER PAD	1		
7	LG6230. 13-03	黄油盖	GREASE COVERING	1		
8	GB/T93	弹簧垫圈10	SPRING WASHER 10	2		
9	GB/5783	螺栓 M10×20	BOLT M10×20	2		
10	GM70VA	行走马达减速机	REDUCER, TRAVEL MOTOR	2		
11	LG6360. 13-02	驱动轮	DRIVE WHEEL	2	11071	
12	GB/T5783	螺栓 M24×70	BOLT M24×70	40		
13	GB/T1230	垫圈24	WASHER 24	64		
14	GB/T5782	螺栓 M20×80	BOLT M20×80	56		
15	GB/T1230	垫圈20	WASHER 20	120		
16	LG6360. 13. 04	底封板	BOTTOM COVERING PLATE	2		
17	GB/T5783	螺栓 M12×40	BOLT M12×40	6		
18	LG6360. 13. 01	下车架	TRAVEL FRAME ASS'Y	1	02034	
19	LG6360. 13. 02	护链架	CHAIN HOLDER	6		
20	GB/T5783	螺栓 M24×50	BOLT M24×50	24		
21	R341B	支重轮	TRACK ROLLER	16	11081	
22	GB/T5782	螺栓 M20×100	BOLT M20×100	64		
23	LG6360. 13. 03	涨紧装置	IDLER CUSHION	2	14152	
24	R681	托链轮	CARRIER ROLLER	4	11081	
25	GB/T93	垫圈16	WASHER 16	16		
26	GB/T5783	螺栓 M16×100	BOLT M16×100	16		

08 回转驱动装置  
SWING DRIVING DEVICE



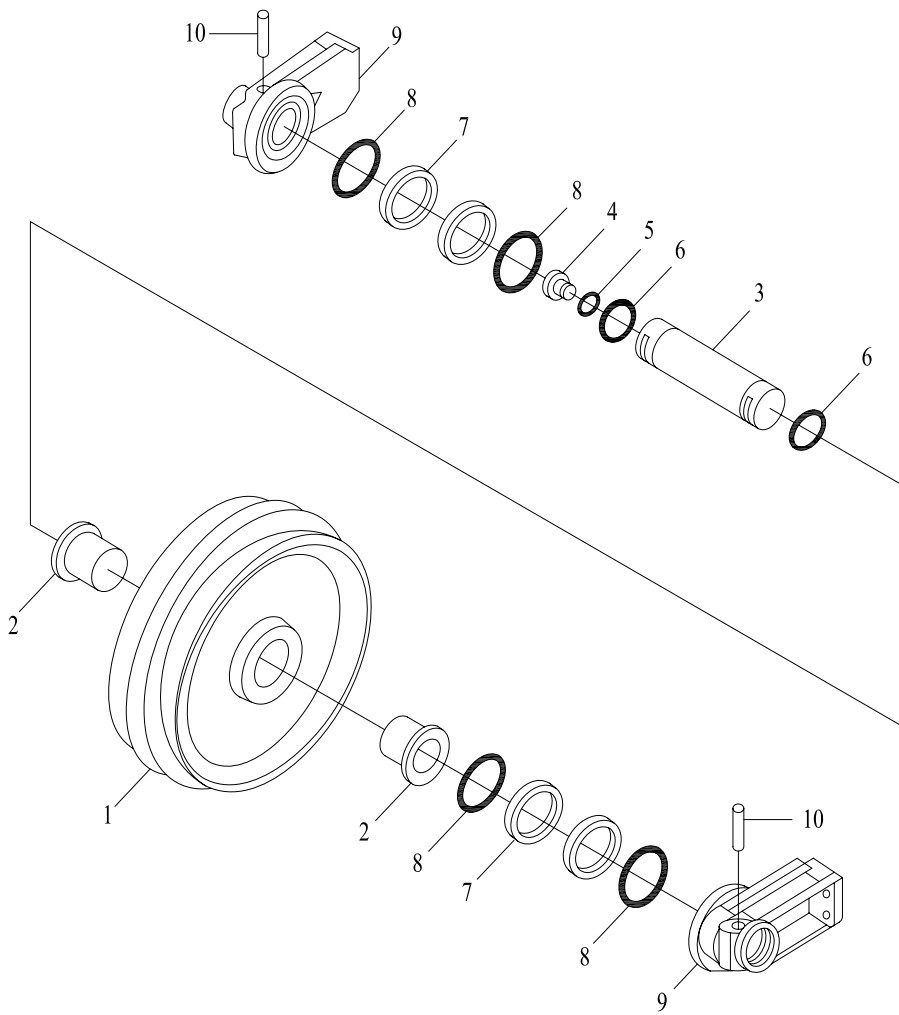
## 08 回转驱动装置

## SWING DRIVING DEVICE

序号 NO.	代号 CODE	零件名称	PART NAME	数量 QTY	代码 S. C	备注 NOTE
1	SNMR1/2-L240-1/2	回转马达加油管1	OIL FILLING PIPE 1, SWING MOTOR	1		
2	6410244	回转马达减速机	REDUCTOR, SWING MOTOR	1		
3	GB/T5782	螺栓 M24×75	BOLT M24×75	12		
4	GB/T1230	垫圈24	WASHER 24	88		
5	LG6360.09-01	防护垫	PROTECTIVE PAD	2		
6	R1/8D-30487-1510R R1/8(90°)	软管总成	HOSE ASS'Y	1		四通直座 FOUR-WAY CONNECTOR
7	LG6360.09.01	回转支承	SWING CIRCLE	1		
8	LG6230.09-01	销Φ18	PIN Φ18	2		
9	GB/T5782	螺栓 M24×85	BOLT M24×85	40		
10	GB/T5782	螺栓 M24×130	BOLT M24×130	36		
11	R1/8D-30487-1510R R1/8(90°)	软管总成	HOSE ASS'Y	1		四通直座 FOUR-WAY CONNECTOR
12	GB/T97.1	垫圈6	WASHER 6	2		
13	GB/T5783	螺栓 M6×12	BOLT M6×12	2		
14	30487C1000-1300R1/4	软管总成	HOSE ASS'Y	1		穿板接头 BULKHEAD CONNECTOR
15	22587-2T	直通接头	STRAIGHT CONNECTOR	4		
16	R08-8	软管夹	HOSE CLAMP	3		
17	GB/T97.1	垫圈8	WASHER 8	1		
18	GB/T5783	螺栓 M8×16	BOLT M8×16	1		
19	LG6230.09-02	销Φ24	PIN Φ24	2		
20	直角 R1/2-SH14-1150- R1/2 直角	软管总成	HOSE ASS'Y	1		

# 09 引导轮

## FRONT IDLER

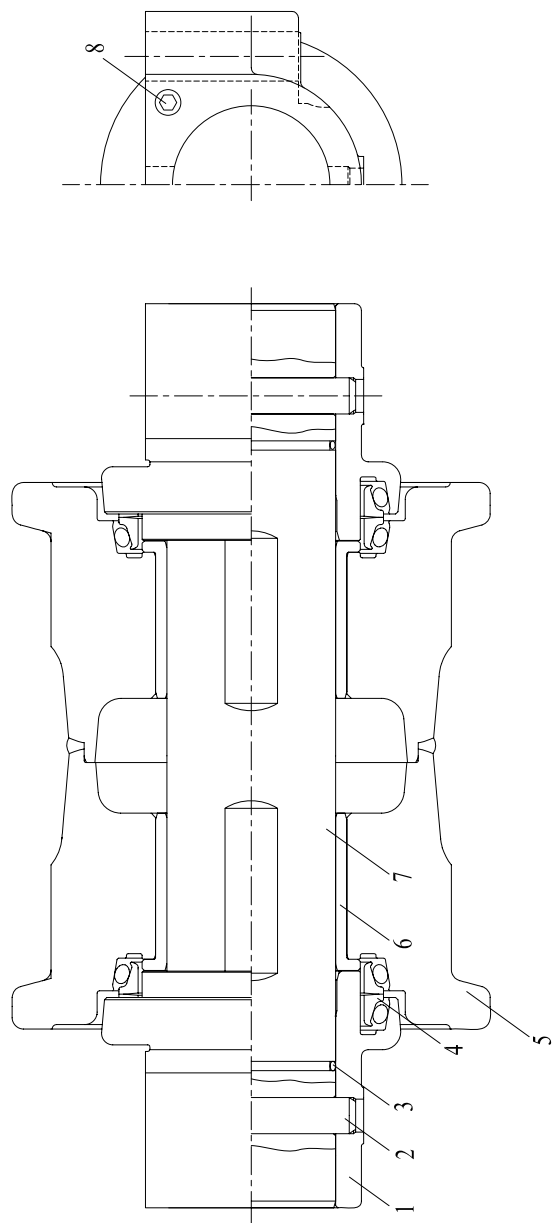




**09 引导轮**  
**FRONT IDLER**

序号 NO.	代号 CODE	零件名称	PART NAME	数量 QTY	代码 S. C	备注 NOTE
1	LG6360. 13. 13-22	引导轮	ROLLER ASS'Y	1	11081	
2		衬套	BUSHING	2		
3	LG6360. 13. 13-25	轴	SHAFT	1		
4	LG6360. 13. 13-23	螺堵	PLUG SCREW	1		
5	LG6360. 13. 13-24	O 形圈	O-RING	1		
6	LG6360. 13. 13-18	O 形圈 G75	O-RING G75	2		
7	LG6360. 13. 13-20	密封圈	SEAL RING	2		
8		O 形圈	O-RING			
9		支座	SUPPORT	2		
10	LG6360. 13. 13-19	销	PIN	2		

10 支重轮  
TRACK ROLLER

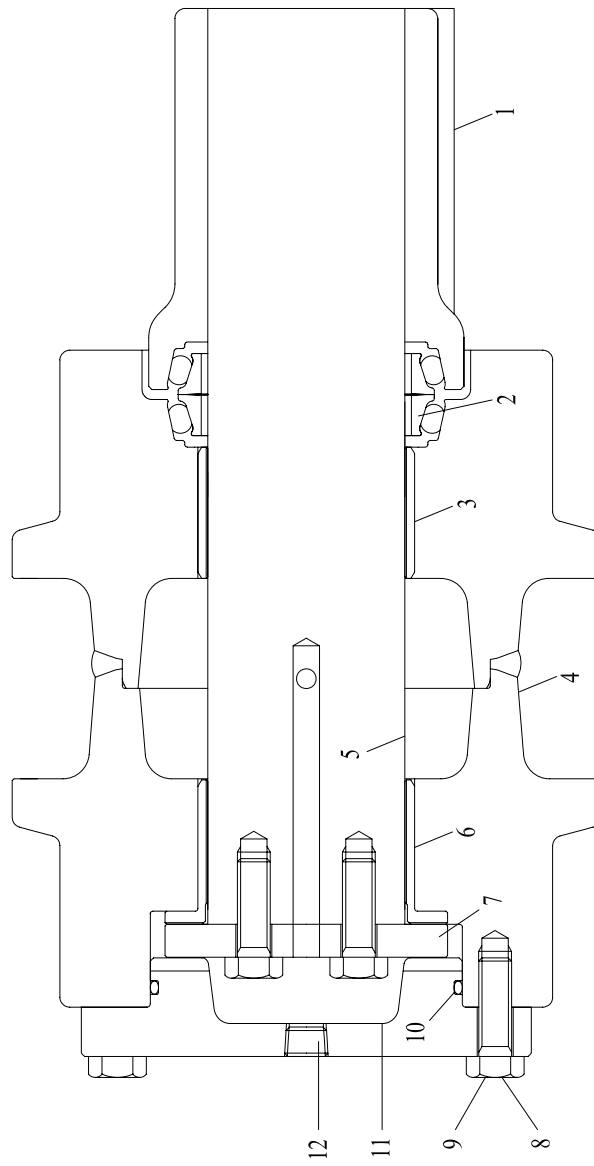


## 10 支重轮 TRACK ROLLER

序号 NO.	代号 CODE	零件名称	PART NAME	数量 QTY	代码 S. C	备注 NOTE
1	102Y00432	挡圈	SPRAG	2		
2	105Y00120	销 $\Phi 16 \times 90L$	PIN $\Phi 16 \times 90L$	2		
3	203-00070	O形圈 G70	O-RING G70	2		
4	905-10000	密封圈 JS1000S	SEAL JS1000S	4		
5	101Y03920	支重总成	TRACK ASS'Y	1		
6	104Y00251	衬套	BUSHING	2		
7	103Y00341	轴	SHAFT	1		
8	202-00170	堵 PT1/4	PLUG PT1/4	2		

# 11 托链轮

## CARRIER ROLLER



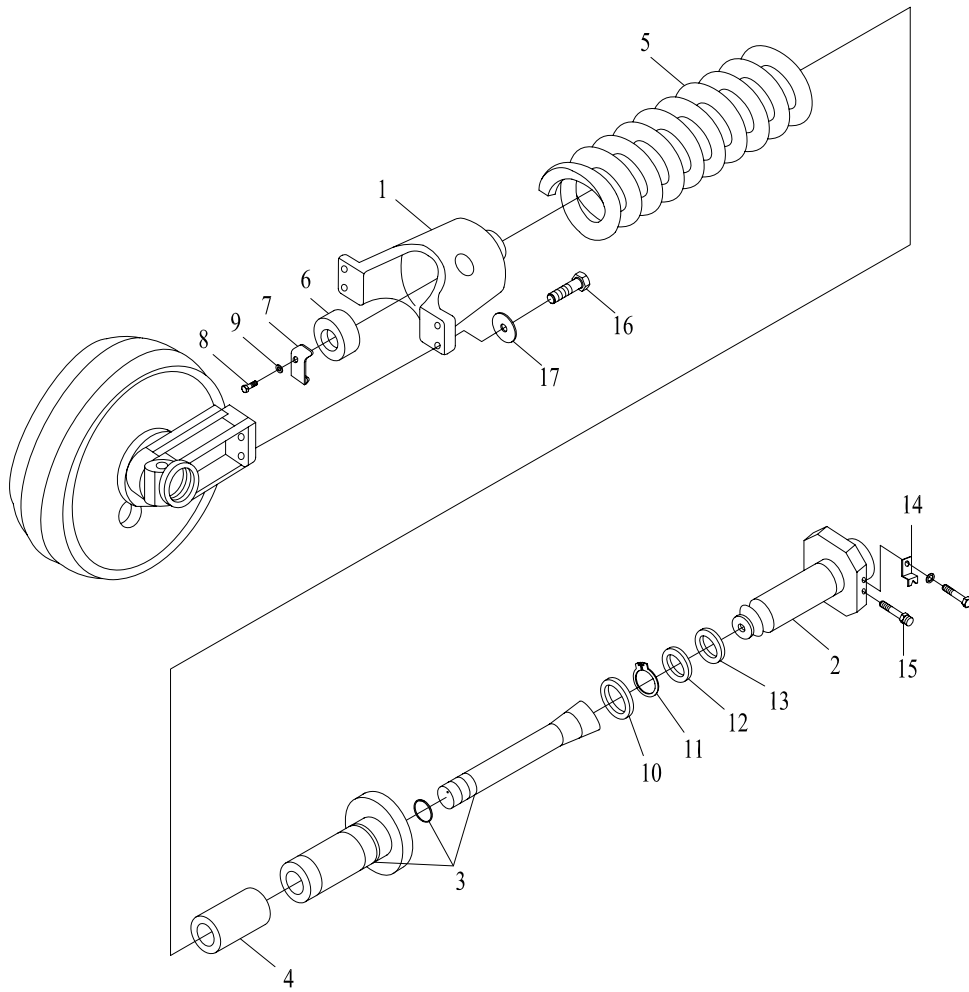
## 11 托链轮

### CARRIER ROLLER

序号 NO.	代号 CODE	零件名称	PART NAME	数量 QTY	代码 S. C	备注 NOTE
1	106Y00340	支架	BRACKET	1		
2	905-06401	密封圈 JS0640R	SEAL RING JS0640R	2		
3	104Y00421	衬套	BUSHING	1		
4	101Y03910	托链本体	CARRIER ROLLER BODY	1		
5	103Y04210	轴	SHAFT	1		
6	104Y00431	衬套	BUSHING	1		
7	109Y00051	垫圈	WASHER	1		
8	201-00140	螺栓 M10	BOLT M10	5		
9	201-00160	弹簧垫圈 M10×P1.5×30L	SPRING WASHER M10×P1.5×30L	5		
10	203-00240	O形圈 G90	O-RING G90	1		
11	107Y00491	盖	CAP	1		
12	202-00170	堵 PT1/4	PLUG PT1/4	1		

## 12 涨紧装置

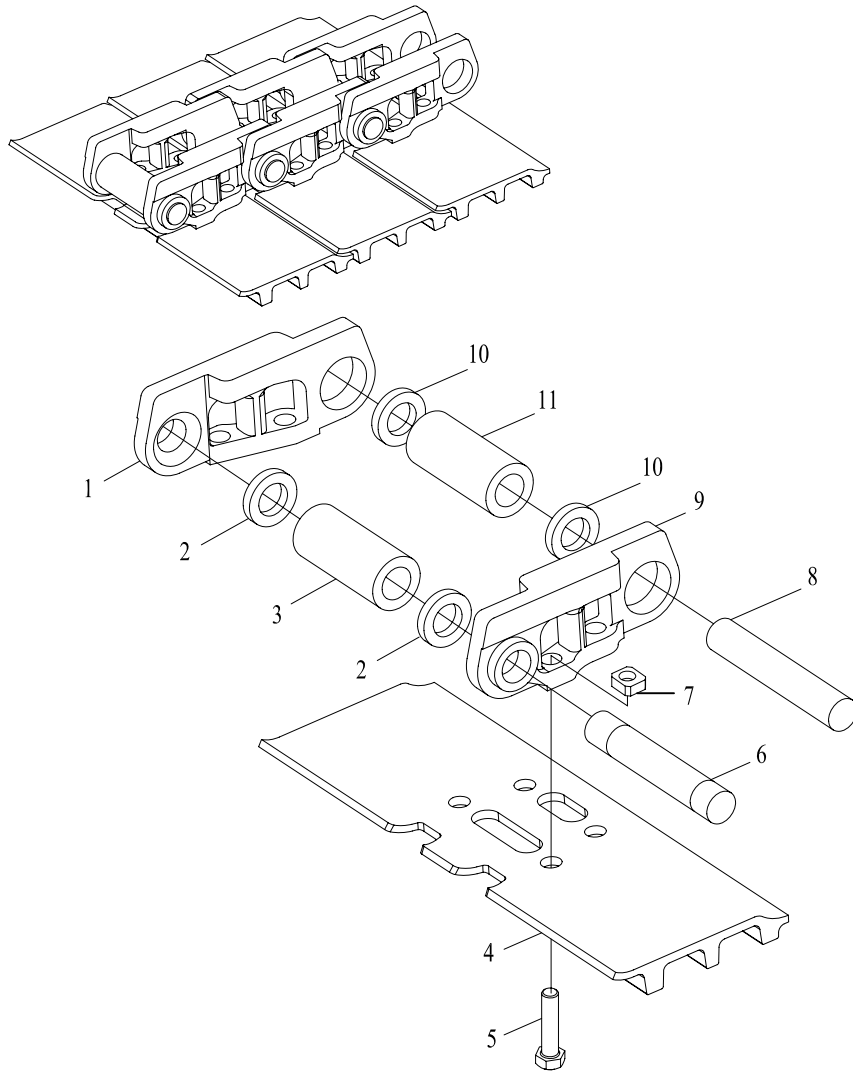
### IDLER CUSHION



## 12 涨紧装置 IDLER CUSHION

序号 NO.	代号 CODE	零件名称	PART NAME	数量 QTY	代码 S. C	备注 NOTE
1	LG6360. 13. 13-15	支架	SUPPORT	1		
2	LG6360. 13. 13-01	轴	SHAFT	1		
3		油缸总成	CYLINDER ASS'Y	2		
4		钢套	STEEL SLEEVE	2		
5	LG6360. 13. 13-09	弹簧	SPRING	1		
6	LG6360. 13. 13-12	螺母	NUT	1		
7	LG6360. 13. 13-13	锁紧片	STAY	1		
8	LG6360. 13. 13-14	螺栓	BOLT	2		
9		垫圈	WASHER	2		
10	LG6360. 13. 13-20	浮封环组件	SEAL COMPONENTS	2		
11		卡箍	CLAMP	4		
12	LG6360. 13. 13-21	双金属套	DUAL METALLIC SLEEVE	2		
13	LG6360. 13. 13-05	抗磨环	WEAR RING	1		
14	LG6360. 13. 13-27	压板	PRESS BOARD	1		
15	LG6360. 13. 13-02	黄油嘴	GREASE FITTING	1		
16	LG6360. 13. 13-16	高强度螺栓	HIGH STRENGTH BOLT	4		
17		垫圈	WASHER	4		

# 13 履带 TRACK SHOE





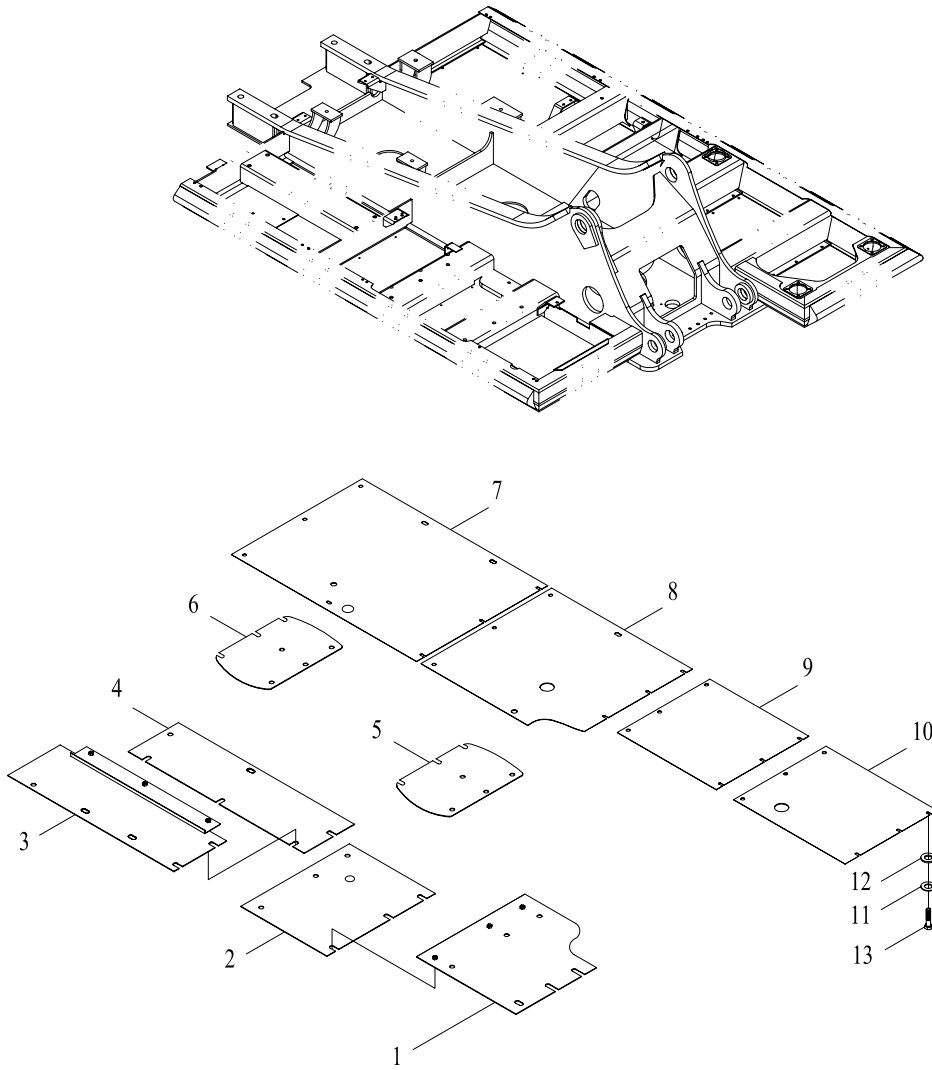
## 13 履带

## TRACK SHOE

序号 NO.	代号 CODE	零件名称	PART NAME	数量 QTY	代码 S. C	备注 NOTE
1	8216-1241602	链轨节左	TRACK LINK L.H.	1		
2	8216-1243000	主垫块	MASTER HEEL BLOCK	2		
3	8216-1242001	销套	BUSH	1		
4	8216-1243301	履带板	TRACK SHOE	1		
5	8216-1243100	螺栓	BOLT	4		
6	8216-1241800	主销轴	MASTER PIN	1		
7	8216-1243200	螺母	NUT	4		
8	8216-1241700	销轴	PIN	1		
9	8216-1241502	链轨节右	TRACK LINK R.H.	1		
10	8216-1242900	密封圈	SEAL	2		
11	8216-1241901	销套	BUSH	1		

# 14 平台底封板

## PLATFORM BOTTOM COVER PLATE



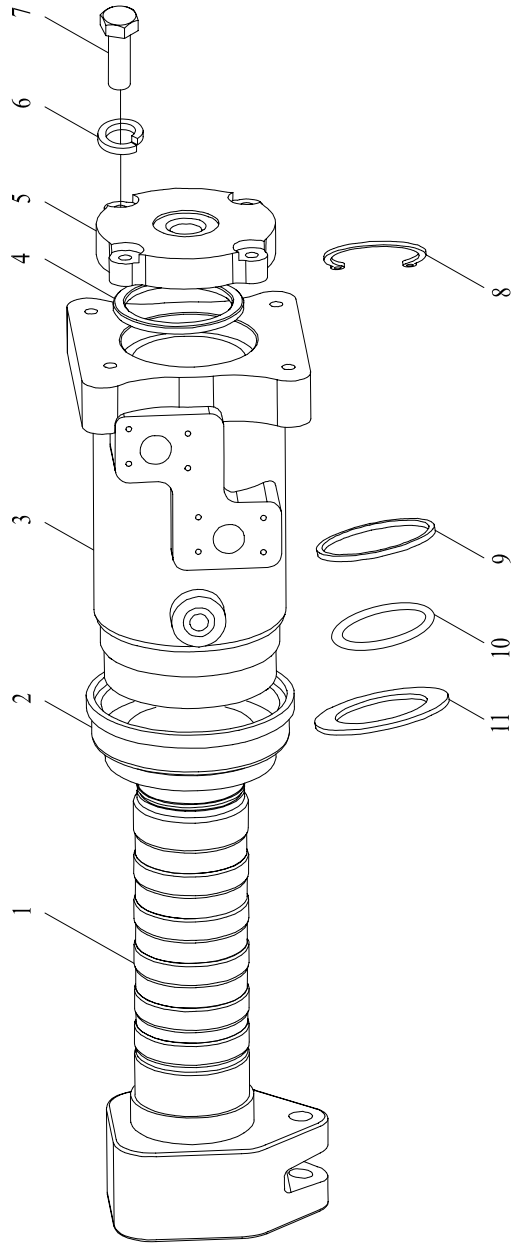
## 14 平台底封板

## PLATFORM BOTTOM COVER PLATE

序号 NO.	代号 CODE	零件名称	PART NAME	数量 QTY	代码 S. C	备注 NOTE
1	LG6360. 12. 04	右封板1	RIGHT COVER PLATE 1	1		
2	LG6360. 12-07	右封板2	RIGHT COVER PLATE 2	1		
3	LG6360. 12. 05	右封板3	RIGHT COVER PLATE 3	1		
4	LG6360. 12-08	右封板4	RIGHT COVER PLATE 4	1		
5	LG6360. 12-11	中封板	MIDDLE COVER PLATE	1		
6	LG6360. 12-20	中封板	MIDDLE COVER PLATE	1		
7	LG6360. 12-10	左封板4	LEFT COVER PLATE 4	1		
8	LG6360. 12-12	左封板3	LEFT COVER PLATE 3	1		
9	LG6360. 12-13	左封板2	LEFT COVER PLATE 2	1		
10	LG6360. 12-14	左封板1	LEFT COVER PLATE 1	1		
11	GB/T93	垫圈12	WASHER 12	66		
12	GB/T96. 1	垫圈12	WASHER 12	66		
13	GB/T5783	螺栓 M12×25	BOLT M12×25	66		

# 15 中央回转接头

## CENTRAL SWING CONNECTOR



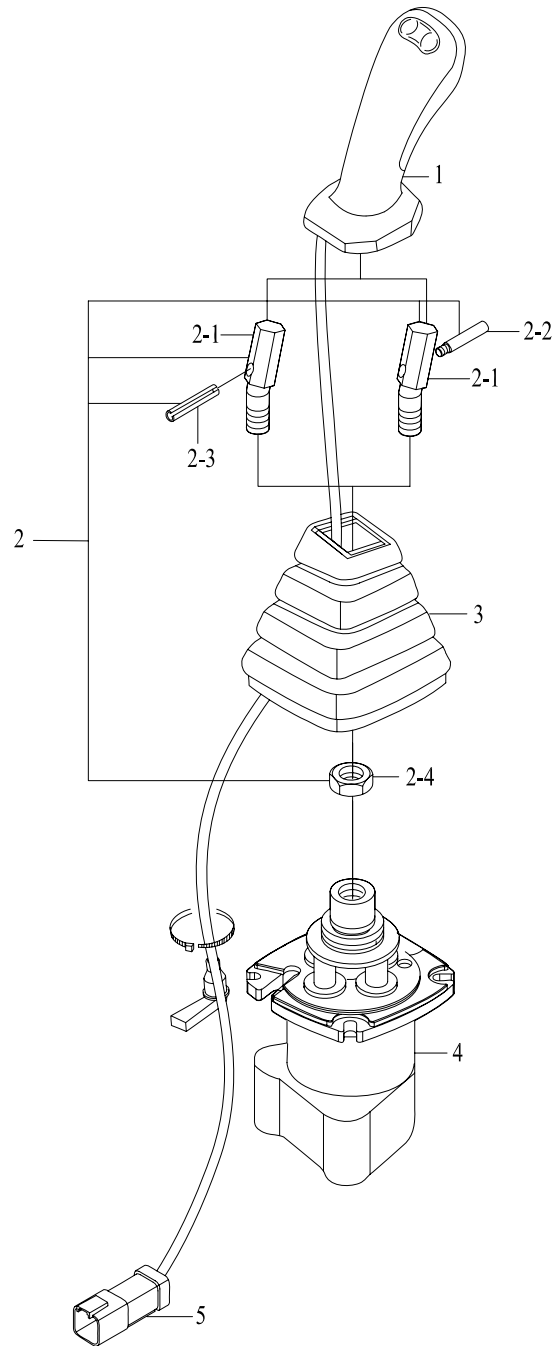
## 15 中央回转接头

## CENTRAL SWING CONNECTOR

序号 NO.	代号 CODE	零件名称	PART NAME	数量 QTY	代码 S. C	备注 NOTE
1	6ZWI24K3F-02	转子	RUNNER	1	14152	
2	6ZWI24K3F-04	防尘盖	DUST-PROOF CAP	1	14152	
3	6ZWI24K3F-01	定子	STATOR	1	14152	
4	6ZWI24K3F-05	隔套	SLEEVE	1	14152	
5	6ZWI24K3F-03	盖板	COVER PLATE	1	14152	
6		垫圈8	WASHER 8	4		
7		螺栓 M8×35	BOLT M8×35	4		
8		轴用弹簧挡圈Φ75	ELASTIC COLLAR	1		
9		旋转密封Φ80×90×5	ROTARY SEAL Φ80×90×5	6		
10		O形圈 P80	O-RING P80	2		
11		防尘圈Φ125×145×7	DUST SEAL Φ125×145×7	1		

# 16 手柄装置 I

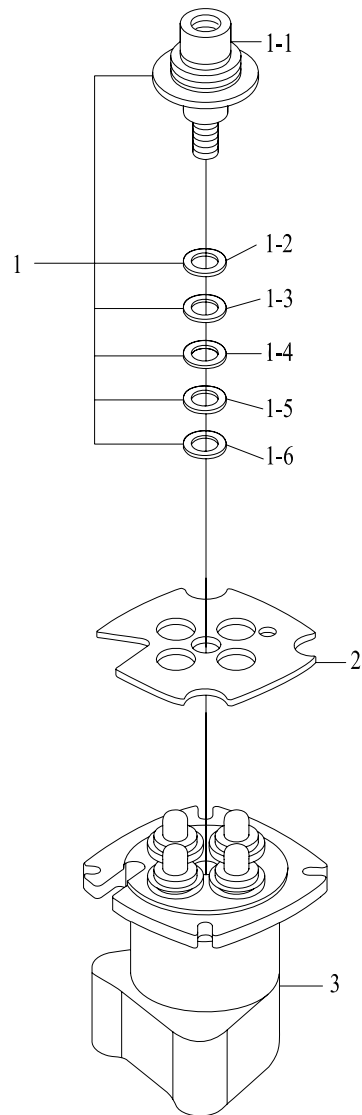
## HANDLE ASS'Y I



## 16 手柄装置 I HANDLE ASS'Y I

序号 NO.	代号 CODE	零件名称	PART NAME	数量 QTY	代码 S. C	备注 NOTE
1	08351723	手柄	HANDLE	1		
2	07258139	曲杆总成	BENT LEVER KIT	1		
2-1		曲杆	BENT LEVER	1		
2-2		螺旋销	SPECIAL SCREW-PIN	1		
2-3		锁销	LOCKING PIN	1		
2-4		螺母	NUT	1		
3	07258139	橡胶保护罩	RUBBER BOOT	1		
4		底座	LOWER PART	1		
5		接头	CONNECTOR	1		

17 手柄装置 II  
HANDLE ASS'Y II

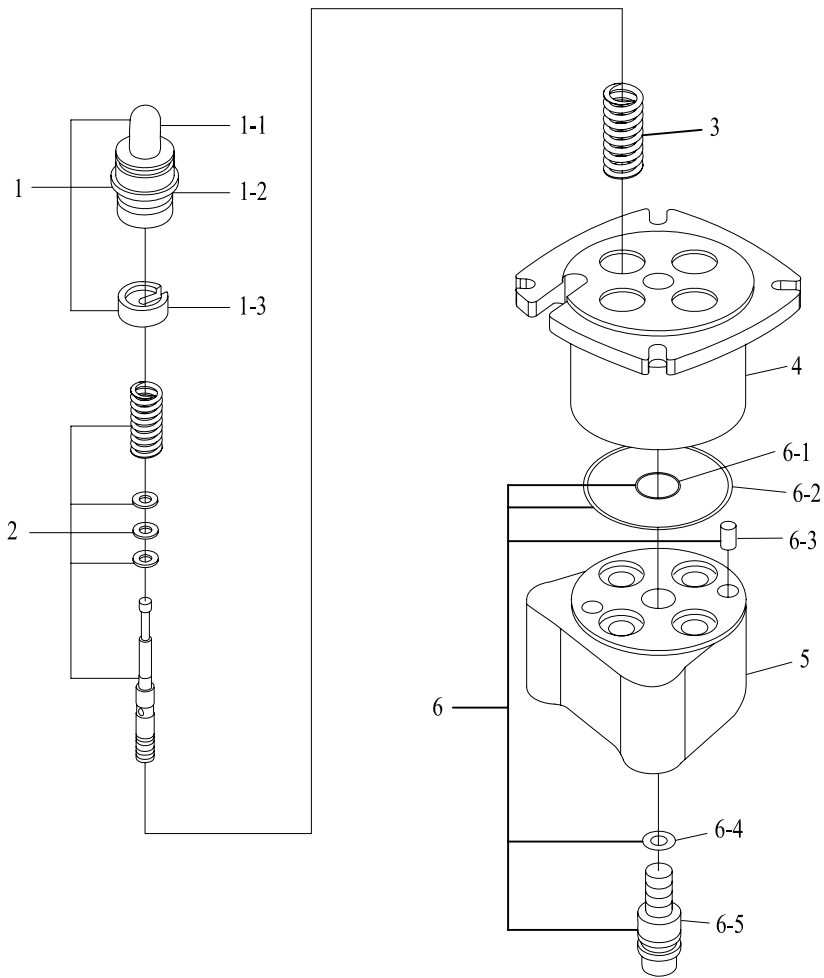




**17 手柄装置 II**  
**HANDLE ASS'Y II**

序号 NO.	代号 CODE	零件名称	PART NAME	数量 QTY	代码 S. C	备注 NOTE
1	08200218	万向机构总成	CARDAN KIT	1		
1-1		万向机构	CARDAN	1		
1-2		垫片	SHIM	1		
1-3		垫片	SHIM	1		
1-4		垫片	SHIM	1		
1-5		垫片	SHIM	1		
1-6		垫片	SHIM	1		
2	07259910	固定板	RETAINING PLATE	1		
3		底座	LOWER PART	1		

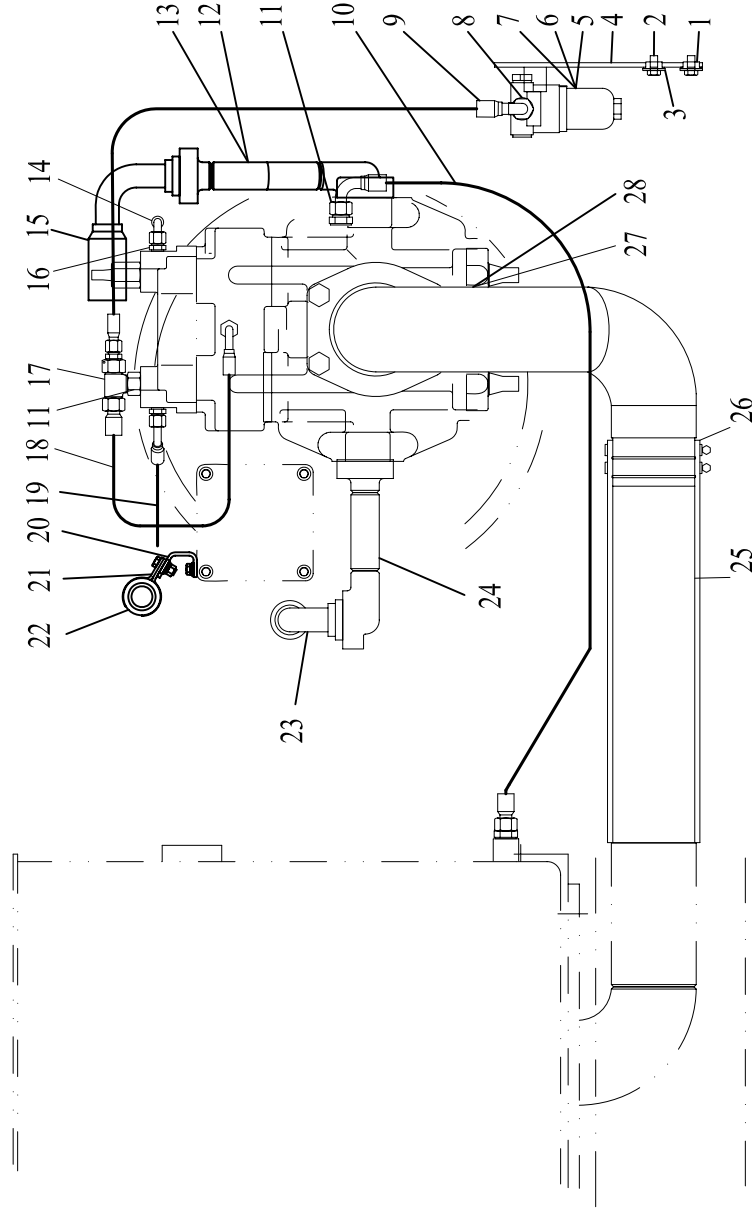
18 手柄装置 III  
HANDLE ASS'Y III



## 18 手柄装置 III HANDLE ASS'Y III

序号 NO.	代号 CODE	零件名称	PART NAME	数量 QTY	代码 S. C	备注 NOTE
1		柱塞总成	PLUNGER KIT	1		
1-1		柱塞	PLUNGER	4		
1-2		柱塞导承	PLUNGER GUIDE	4		
1-3		活塞	PLATER	4		
2	07213432	调节装置	REGULATING UNIT	4		
3		复位弹簧	RETURN SPRING	4		
4	07260322	上部	UPPER BODY	1		
5		下部	LOWER BODY	1		
6		密封圈组件	SEALS KIT	1		
6-1		O 形圈	O-RING	1		
6-2		O 形圈	O-RING	1		
6-3		销	PIN	2		
6-4		O 形圈	O-RING	1		
6-5		组合螺钉	ASSEMBLY SCREW	1		

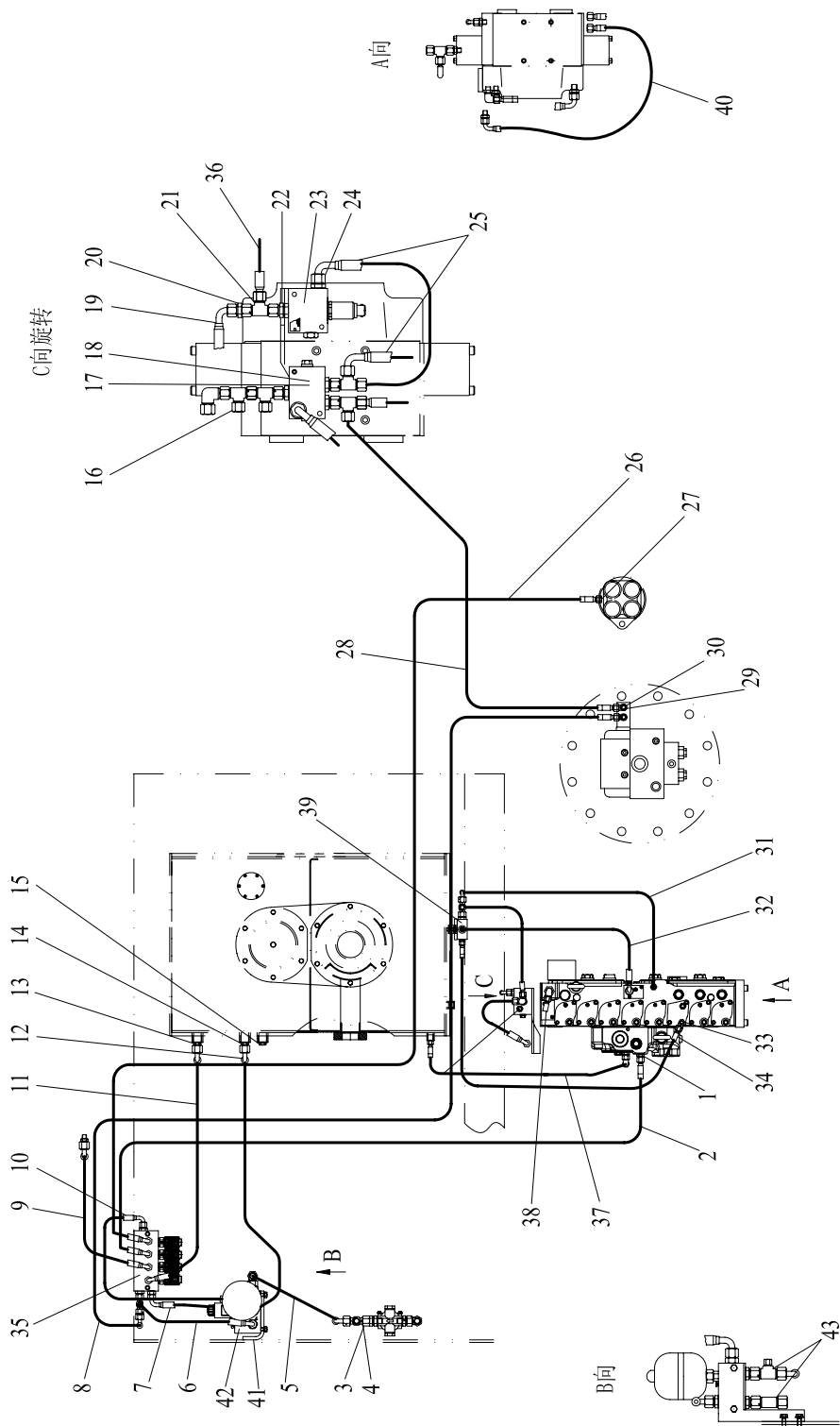
19 主泵管路  
MAIN PUMP LINES



## 19 主泵管路 MAIN PUMP LINES

序号 NO.	代号 CODE	零件名称	PART NAME	数量 QTY	代码 S. C	备注 NOTE
1	LG6230.05.01.05	减振垫圈	DAMPING WASHER	2		
2	GB/T5783	螺栓 M10×30	BOLT M10×30	2		
3	GB/T96.1	垫圈10	WASHER 10	2		
4	LG6230.05.01.04	安装板	MOUNTING BOARD	1		
5	GB/T97.1	垫圈6	WASHER 6	2		
6	GB/T5782	螺栓 M6×70	BOLT M6×70	2		
7	MDM101CD1CB372X	压力过滤器	PRESSURE FILTER	1		
8	1B-08WD	直通接头		2		
9	F481CACF151508-900	胶管总成	HOSE ASS'Y	1		
10	F421CACF151510-1300	胶管总成	HOSE ASS'Y	1		
11	1BH-08-18	直通接头		2		
12	LG6360.05.01.02	A1管	A1 HOSE	1		
13	0222	O形圈Φ37.69×3.53	O-RING Φ37.69×3.53	2		
14	F481CACA121206-1100	胶管总成	HOSE ASS'Y	1		
15	F7816N6N20(SL120) 2020-1600-270°	胶管总成	HOSE ASS'Y	1		
16	1BH-06-14WD	直通接头		2		
17	BJS-08-04	三通接头	THREE-WAY CONNECTOR	1		
18	F481CACF080804-650	胶管总成	HOSE ASS'Y	1		
19	F481CACF121206-700	胶管总成	HOSE ASS'Y	1		
20	LG6360.05.01-07	支座	SUPPORT	1		
21	LG6360.05.01-08	管夹	PIPE CLAMP	2		
22	LG6360.05.01-09	橡胶套		1		
23	F7816N6N20(SL120)20 (SL120)20-1070-270°	胶管总成	HOSE ASS'Y	1		
24	LG6360.05.01.01	A2管	A2 HOSE	1		
25	LG6360.05B.01-01	吸油胶管	OIL SUCTION HOSE	1		
26	STBH-132	卡箍Φ122-130	CLAMP Φ122-130	4		
27	LG6360.05.01.03	吸油管	OIL SUCTION HOSE	1		
28	AS254	O形圈Φ139.29×3.53	O-RING Φ139.29×3.53	1		

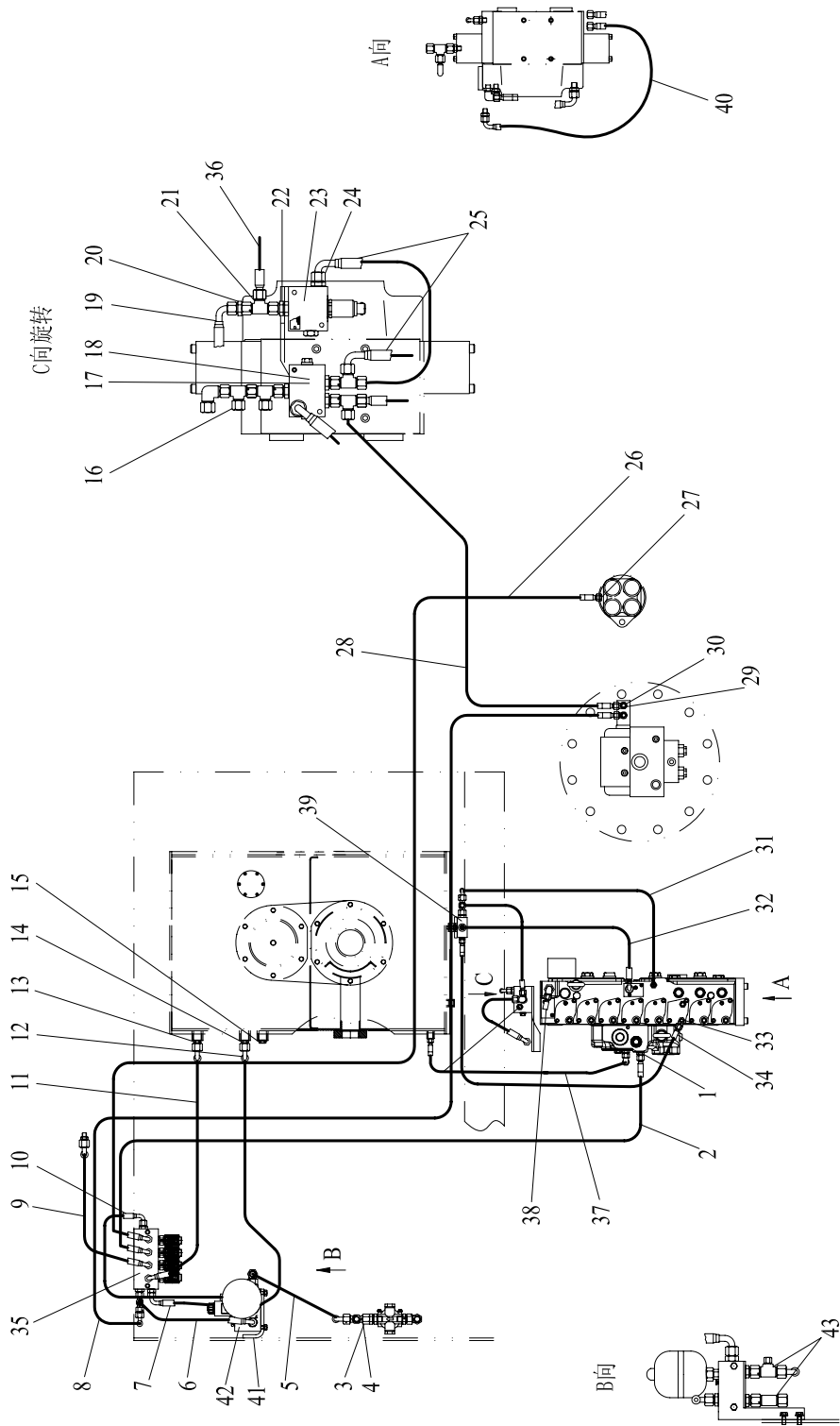
# 20 先导管路 I PILOT LINES I



## 20 先导管路 I PILOT LINES I

序号 NO.	代号 CODE	零件名称	PART NAME	数量 QTY	代码 S. C	备注 NOTE
1	1B-06-04WD	端直通接头	END STRAIGHT CONNECTOR	18		
2	F481CACF121206-2800	胶管总成	HOSE ASS'Y	1		
3	CYS-08	测压三通	PRESSURE THREE-WAY CONNECTOR	1		
4	EMA3/1/4	测压接头	PRESSURE CONNECTOR	1		
5	F481CACF151508-500	胶管总成	HOSE ASS'Y	1		
6	F481CACF121206-600	胶管总成	HOSE ASS'Y	1		
7	F481CACF121206-400	胶管总成	HOSE ASS'Y	1		
8	F481CACF121206- 3650-PG500	胶管总成	HOSE ASS'Y	1		
9	F481CACF121206-1300	胶管总成	HOSE ASS'Y	1		
10	F481CACF121206-550	胶管总成	HOSE ASS'Y	2		
11	F481CACF121206-1600	胶管总成	HOSE ASS'Y	1		
12	F481CACF151508-1900	胶管总成	HOSE ASS'Y	1		
13	1BG-06B2351	端直通接头	END STRAIGHT CONNECTOR	1		
14	1BG-08B2351	端直通接头	END STRAIGHT CONNECTOR	1		
15	4G-08 B2351	堵头	PLUG	1		
16	CYS-06-M12	测压接头	PRESSURE CONNECTOR	1		
17	MH3WA06CG1X/004M01	切断阀	DUMP VALVE	1		
18	GB/T5782	螺栓 M6×65	BOLT M6×65	2		
19	F481CACF121206-400	胶管总成	HOSE ASS'Y	1		
20	LG6360.05.01-04A	节流接头	THROTTLE CONNECTOR	1		
21	CB-04	三通接头	THREE-WAY CONNECTOR	2		
22	2B-04	组合接头	COMBINED CONNECTOR	1		
23	MHFP04G1-1X/ 1DX18G24C4V01-005	比例阀	PROPORTIONAL VALVE	1		
24	1B-04WD	端直通接头	END STRAIGHT CONNECTOR	1		
25	F481CACF080804-400- PG400	胶管总成	HOSE ASS'Y	2		
26	F481CACF121206-3600	胶管总成	HOSE ASS'Y	1		
27	1BH-06-14	端直通接头	END STRAIGHT CONNECTOR	1		
28	F481CACF121206-1300	胶管总成	HOSE ASS'Y	1		
29	1BG-06-04B2351	直通接头	STRAIGHT CONNECTOR	2		
30	2B9-06	直角接头	STRAIGHT CONNECTOR	6		
31	F481CACF121206-650	胶管总成	HOSE ASS'Y	1		
32	F481CACF121206-1200	胶管总成	HOSE ASS'Y	1		
33	CB-06	三通接头	THREE-WAY CONNECTOR	5		

# 20 先导管路 I PILOT LINES I

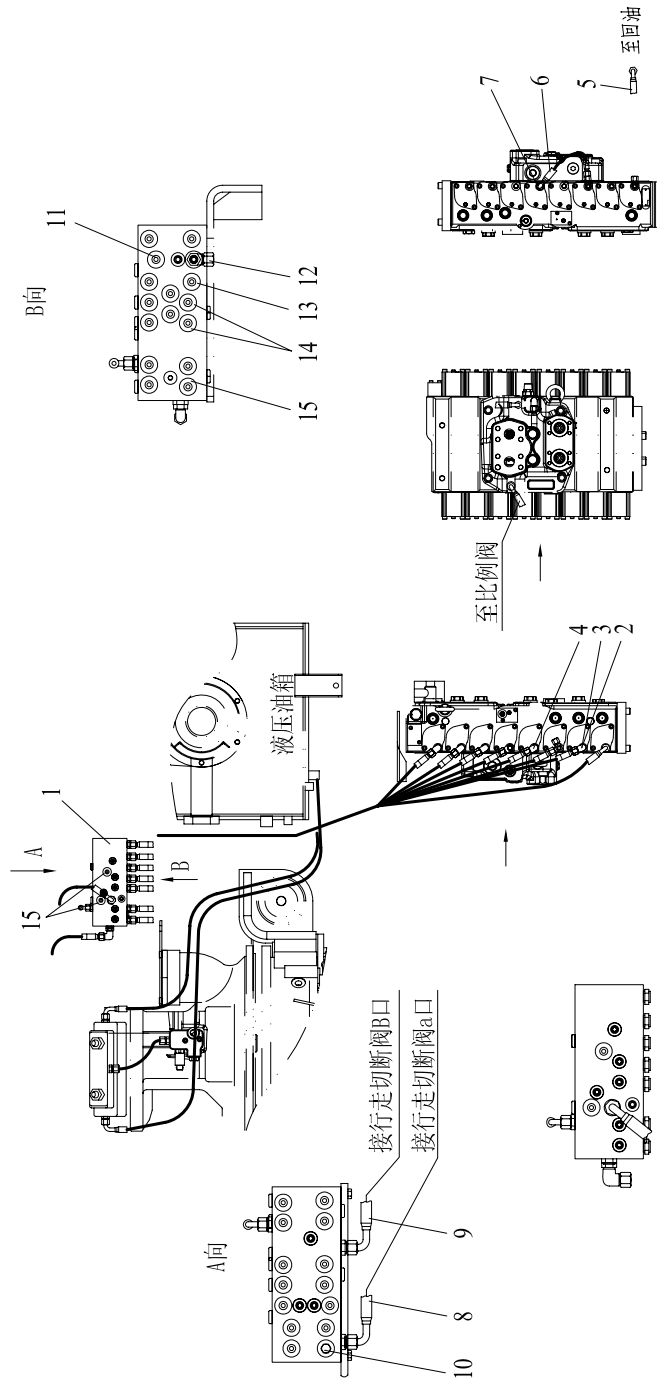




**20 先导管路 I**  
**PILOT LINES I**

序号 NO.	代号 CODE	零件名称	PART NAME	数量 QTY	代码 S. C	备注 NOTE
34	F481CACF121206-1150	胶管总成	HOSE ASS'Y	1		
35	1010225	电磁阀	SOLENOID VALVE	1		
36	F481CACF080804-600- PG600	胶管总成	HOSE ASS'Y	1		
37	F481CACF080804-660	胶管总成	HOSE ASS'Y	1		
38	F481CACF080804-500	胶管总成	HOSE ASS'Y	1		
39	WYS-02	梭阀块	SHUTTLE VALVE BLOCK	1		
40	F481CACA080804-1200	胶管总成	HOSE ASS'Y	1		
41	LG6360.05B.05-01	座板	SEAT BOARD	1		
42	1010224	先导阀	PILOT VALVE	1		
43	BJS-08-06	变径接头	REDUCER CONNECTOR	2		

## 21 先导管路 II PILOT LINES II

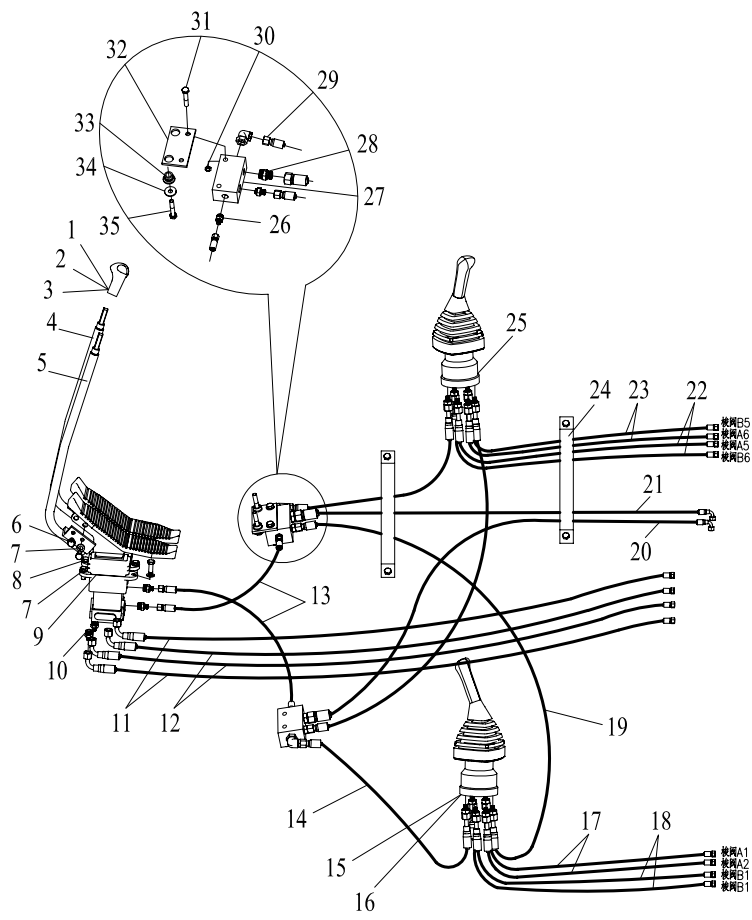


## 21 先导管路 II PILOT LINES II

序号 NO.	代号 CODE	零件名称	PART NAME	数量 QTY	代码 S. C	备注 NOTE
1	AGEV8-41251- AA/HM/J20	梭阀块	SHUTTLE VALVE BLOCK	1		
2	F481CACF121206- 1900-PG1000	胶管总成	HOSE ASS'Y	1		
3	1B-06-04WD	直通接头	STRAIGHT CONNECTOR	47		
4	F481CACF121206- 1800-PG1000	胶管总成	HOSE ASS'Y	1		
5	F481CACF121206-1550	胶管总成	HOSE ASS'Y	1		
6	F481CACF121206-550	胶管总成	HOSE ASS'Y	1		
7	CB-06	三通接头	THREE-WAY CONNECTOR	2		
8	F481CACF121206- 1500-PG1000	胶管总成	HOSE ASS'Y	1		
9	F481CACF121206- 1300-PG800	胶管总成	HOSE ASS'Y	1		
10	4G-04	堵头	PLUG	2		
11	F481CACA121206-1500	胶管总成	HOSE ASS'Y	1		
12	CYS-06	三通接头	THREE-WAY CONNECTOR	1		
13	F481CACA121206-1600	胶管总成	HOSE ASS'Y	1		
14	F481CACA121206- 1300-PG800	胶管总成	HOSE ASS'Y	2		
15	F481CACA121206-1600	胶管总成	HOSE ASS'Y	1		
16	5B-04	直通接头	STRAIGHT CONNECTOR	2		

## 22 操纵管路

## CONTROL SYSTEM

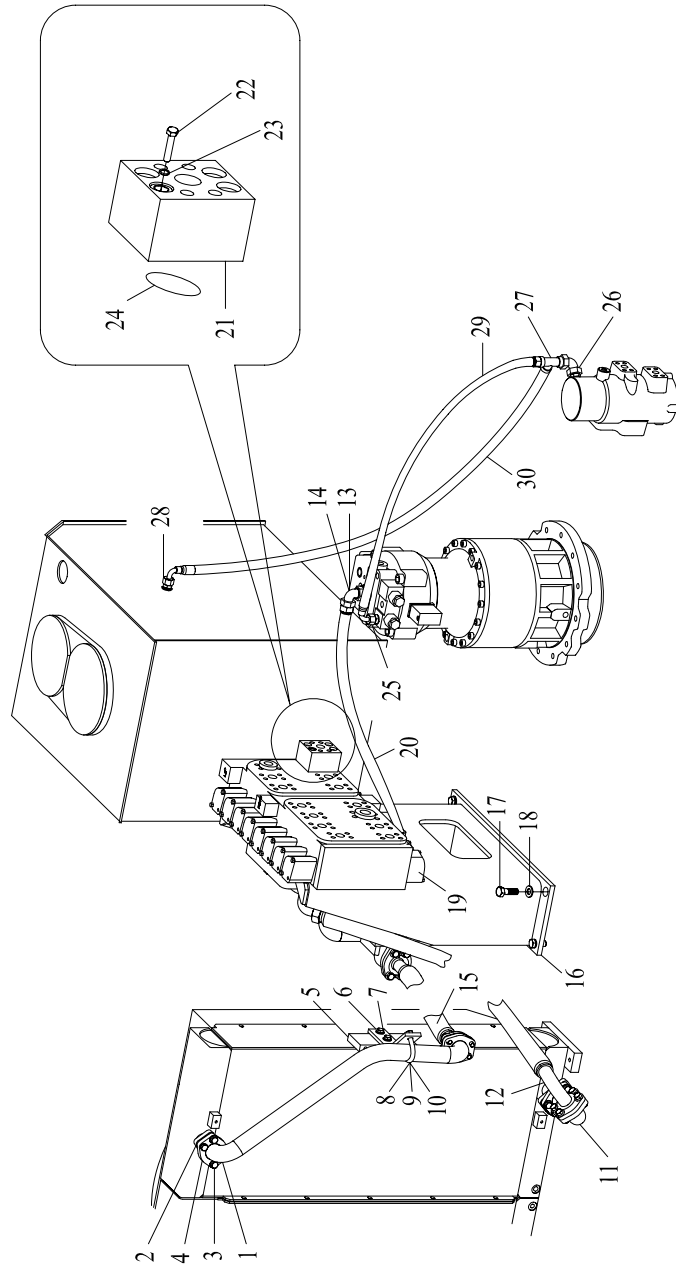


## 22 操纵管路 CONTROL SYSTEM

序号 NO.	代号 CODE	零件名称	PART NAME	数量 QTY	代码 S. C	备注 NOTE
1	D60-01-00001/02	手柄	GRIP	2		
2	GB/T818	螺钉 M4×14	BOLT M4×14	2		
3	GB/T97. 1	垫圈4	WASHER 4	2		
4	CDM6210. 19. 02. 01	右操纵杆	CONTROL LEVER R.H.	1		
5	CDM6210. 19. 02. 02	左操纵杆	CONTROL LEVER L.H.	1		
6	GB/T70. 1	螺钉 M10×25	BOLT M10×25	4		
7	GB/T97. 1	垫圈10	WASHER 10	18		
8	GB/T5783	螺栓 M10×20	BOLT M10×20	10		
9	4TH6NRC70-20/M01	脚踏阀		1		
10	1B-06-04WD	直通接头	STRAIGHT CONNECTOR	16		
11	F481CECF121206- 3150-90°	胶管总成	HOSE ASS'Y	2		
12	F481CFCF121206- 3150-90°	胶管总成	HOSE ASS'Y	2		
13	F481CACA121206-800	胶管总成	HOSE ASS'Y	2		
14	F481CACF121206-950	胶管总成	HOSE ASS'Y	1		
15	4TH6NE70-10/VT43M01	左手先导阀	PILOT VALVE L.H.	1		
16	GB/T70. 1	螺钉 M6×25	BOLT M6×25	8		
17	F481CACE121206-2900	胶管总成	HOSE ASS'Y	2		
18	F481CACF121206-2900	胶管总成	HOSE ASS'Y	2		
19	F481CACF121206-1050	胶管总成	HOSE ASS'Y	1		
20	F481CACF151508-1800	胶管总成	HOSE ASS'Y	1		
21	F481CACF151508-3500	胶管总成	HOSE ASS'Y	1		
22	F481CACF121206-3150	胶管总成	HOSE ASS'Y	2		
23	F481CACE121206-3150	胶管总成	HOSE ASS'Y	2		
24	LG6360. 05. 06-01	管夹	PIPE CLAMP	3		
25	4TH6NE70-10/VT23M01	右手先导阀	PILOT VALVE R.H.	1		
26	1BG-06-04 B2351	端直通接头	END STRAIGHT CONNECTOR	2		
27	LG6230. 05. 06-01	PT 块	PT BLOCK	2		
28	1BG-06B2351	端直通接头	END STRAIGHT CONNECTOR	4		
29	F481CACA121206-1400	胶管总成	HOSE ASS'Y	2		
30	GB/T6170	螺母 M10	NUT M10	2		
31	GB/T5782	螺栓 M10×60	BOLT M10×60	4		
32	LG6230. 05. 06-02	安装板	MOUNTING PLATE	1		
33	LG6230. 05. 01. 05	减震垫圈	DAMPING WASHER	2		
34	GB/T96. 1	垫圈10	WASHER 10	2		
35	GB/T5783	螺栓 M10×30	BOLT M10×30	2		

# 23 回油管路 I

## OIL RETURN LINES I



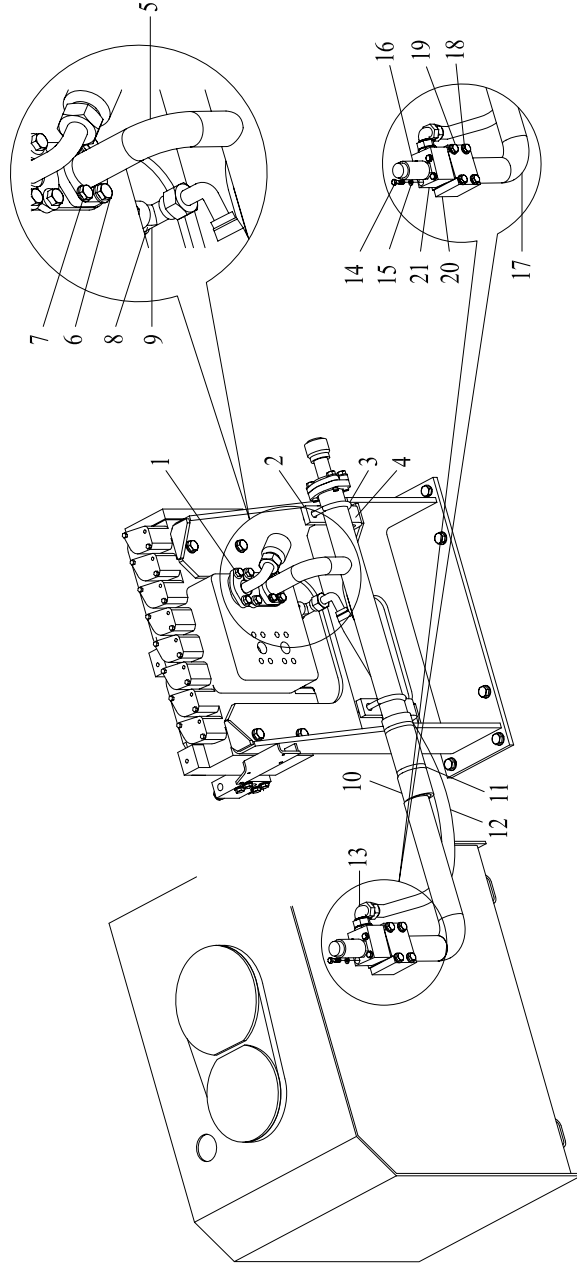
## 23 回油管路 I

### OIL RETURN LINES I

序号 NO.	代号 CODE	零件名称	PART NAME	数量 QTY	代码 S. C	备注 NOTE
1	LG6360.05.02.01	油冷长管	OIL COOLING PIPE, LONG	1		
2	0225	O 形圈 $\Phi 47.22 \times 3.53$	O-RING $\Phi 47.22 \times 3.53$	2		
3	GB/T5782	螺栓 M12 $\times$ 35	BOLT M12 $\times$ 35	8		
4	GB/T93	垫圈12	WASHER 12	8		
5	LG6360.05.02-07	支板1	SUPPORT 1	1		
6	GB/T5782	螺栓 M10 $\times$ 30	BOLT M10 $\times$ 30	2		
7	GB/T97.1	垫圈10	WASHER 10	6		
8	JB/ZD4321	U 形螺栓48	U-BOLT 48	1		
9	GB/T6170	螺母 M12	NUT M12	6		
10	GB/T96.1	垫圈12	WASHER 12	6		
11	LG6360.05.02.02	油冷短管	OIL COOLING PIPE, SHORT	1		
12	F4211519242424-620	软管总成	HOSE ASS'Y	1		
13	2B9-16	直角可调向接头	RIGHT ANGLE ADJUSTING CONNECTOR			
14	LG6360.05.02-05	加长端直通	LENGTHEN END STRAIGHT CONNECTOR 2			
15	F4211519242024-870	软管总成	HOSE ASS'Y	1		
16	LG6360.05.02.05	阀座	VALVE SEAT	1		
17	GB/T5783	螺栓 M16 $\times$ 35	BOLT M16 $\times$ 35	9		
18	GB/T97.1	垫圈16	WASHER 16	9		
19	7M9-25	主阀	MAIN VALVE	1	02046	
20	F481CACE282816-1000	软管总成	HOSE ASS'Y	1		
21	LG6360.05.02-03	分流块	SPLIT FLOW BLOCK	1		
22	GB/T70.1	螺钉 M14 $\times$ 60	SCREW M14 $\times$ 60	4		
23	GB/T93	垫圈14	WASHER 14	4		
24	0222	O 形圈 $\Phi 37.69 \times 3.55$	O-RING $\Phi 37.69 \times 3.55$	2		
25	1BG-08 B2351	端直通接头	END STRAIGHT CONNECTOR	1		
26	LG6360.05.02-06	F 油口接头	F PORT CONNECTOR	1		
27	BJS-12-08	三通可调向接头	THREE-WAY ADJUSTABLE CONNECTOR	1		
28	1BG-12 B2351	端直通接头	END STRAIGHT CONNECTOR	1		
29	F421CACF151508-1100	软管总成	HOSE ASS'Y	1		
30	F421CACF222212-1550	软管总成	HOSE ASS'Y	1		

## 24 回油管路 II

### OIL RETURN LINES II



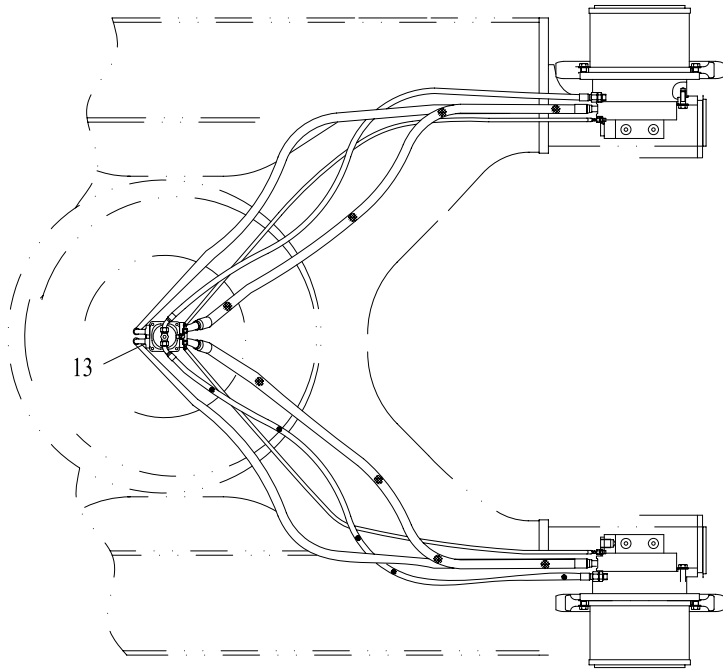
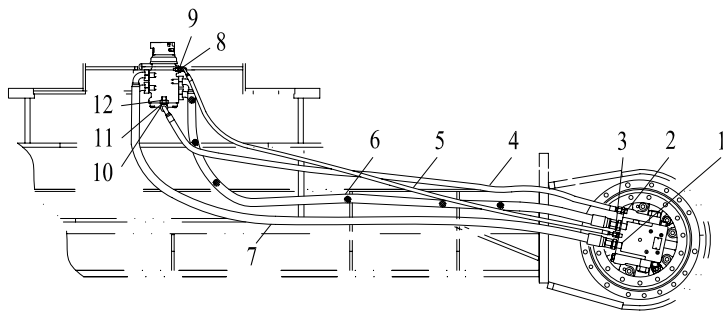


## 24 回油管路 II

### OIL RETURN LINES II

序号 NO.	代号 CODE	零件名称	PART NAME	数量 QTY	代码 S. C	备注 NOTE
1	M1M1HK-20	法兰组件	FLANGE COMPONENT	1		
2	LG6360.05.02-02	支板2	SUPPORT 2	2		
3	JB/ZD4321	U形螺栓60	U-BOLT 60	2		
4	GB/T5783	螺栓 M12×30	BOLT M12×30	5		
5	LG6360.05B.02.02	回油管	OIL RETURN PIPE	1		
6	GB/T5782	螺栓 M10×35	BOLT M10×35	4		
7	GB/T93	垫圈10	WASHER 10	4		
8	LG6360.05.02-04	加长端直通	LENGTHEN END STRAIGHT CONNECTOR	1		
9	BB-16	三通接头	THREE-WAY ADJUSTABLE CONNECTOR	1		
10	LG6360.05B.02-01	回油胶管	OIL RETURN HOSE	1		
11	TBH75	卡箍 φ67-75	CLAMP Φ67-75	4		
12	F481CACF282816-1150	软管总成	HOSE ASS'Y	1		
13	1BG-16-12	端直通接头	END STRAIGHT CONNECTOR	1		
14	GB/T5782	螺栓 M8×60	BOLT M8×60	4		
15	GB/T97.1	垫圈8	WASHER 8	4		
16	0214	O形圈 Φ24.99×3.53	O-RING Φ24.99×3.53	1		
17	LG6360.05B.02.01	回油弯管	OIL RETURN ELBOW PIPE	1		
18	GB/T97.1	垫圈12	WASHER 12	4		
19	GB/T5782	螺栓 M12×100	BOLT M12×100	4		
20	0232	O形圈 φ69.4×3.55	O-RING Φ69.4×3.55	1		
21	1010161-001	旁通电磁阀	BYPASS VALVE	1		

## 25 下车管路 CHASSIS LINES

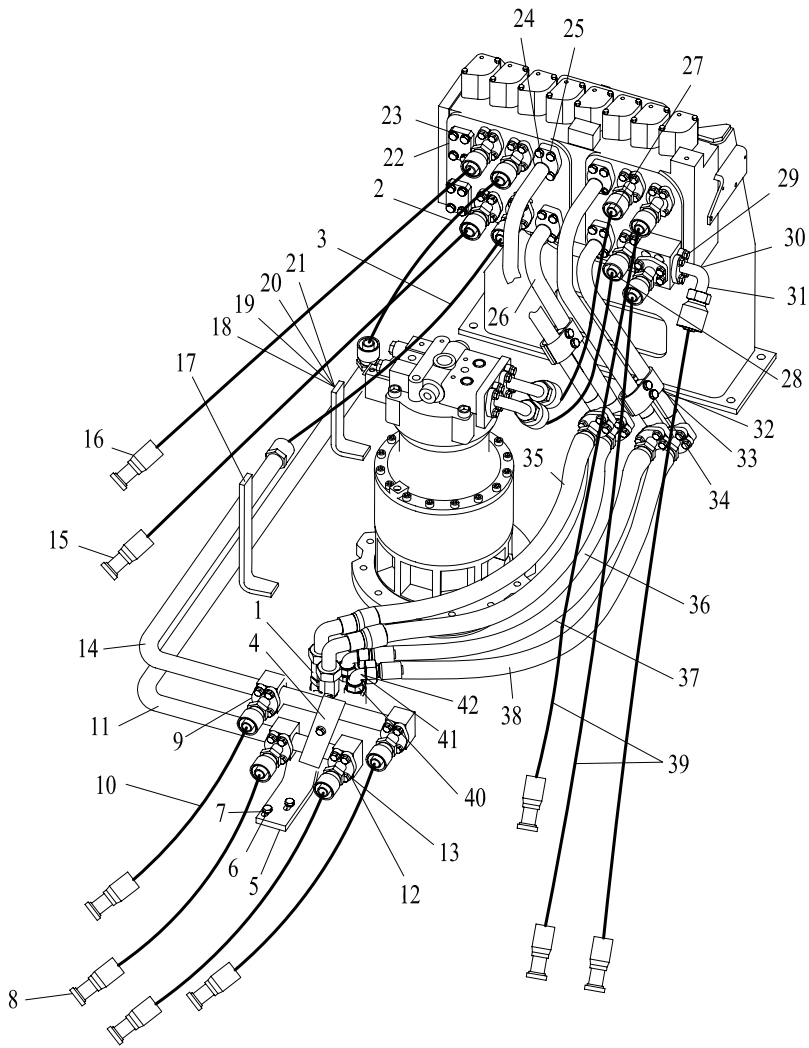


## 25 下车管路 CHASSIS LINES

序号 NO.	代号 CODE	零件名称	PART NAME	数量 QTY	代码 S. C	备注 NOTE
1	LG6360.05.07-01	端直通接头	END STRAIGHT CONNECTOR	4		
2	1BG-08B2351	端直通接头	END STRAIGHT CONNECTOR	2		
3	1BG-06-04B2351	端直通接头	END STRAIGHT CONNECTOR	2		
4	F421CACF151508-2350	软管总成	HOSE ASS'Y	2		
5	F481CACA121206-3000	软管总成	HOSE ASS'Y	2		
6	F731C919251616-2650	软管总成	HOSE ASS'Y	1		
7	F731C919251616-2500	软管总成	HOSE ASS'Y	1		
8	1BH-06-14	端直通接头	END STRAIGHT CONNECTOR	1		
9	BB-06	三通可调向接头	THREE-WAY ADJUSTABLE CONNECTOR	1		
10	LG6360.05.02-06	F 油口接头	F PORT CONNECTOR	1		
11	2B-08-12	变径接头	REDUCER UNION	2		
12	BB-08	三通可调向接头	THREE-WAY ADJUSTABLE CONNECTOR	1		
13	M1M1HK-16	法兰	FLANGE	4		

## 26 工作管路

### WORK LINES

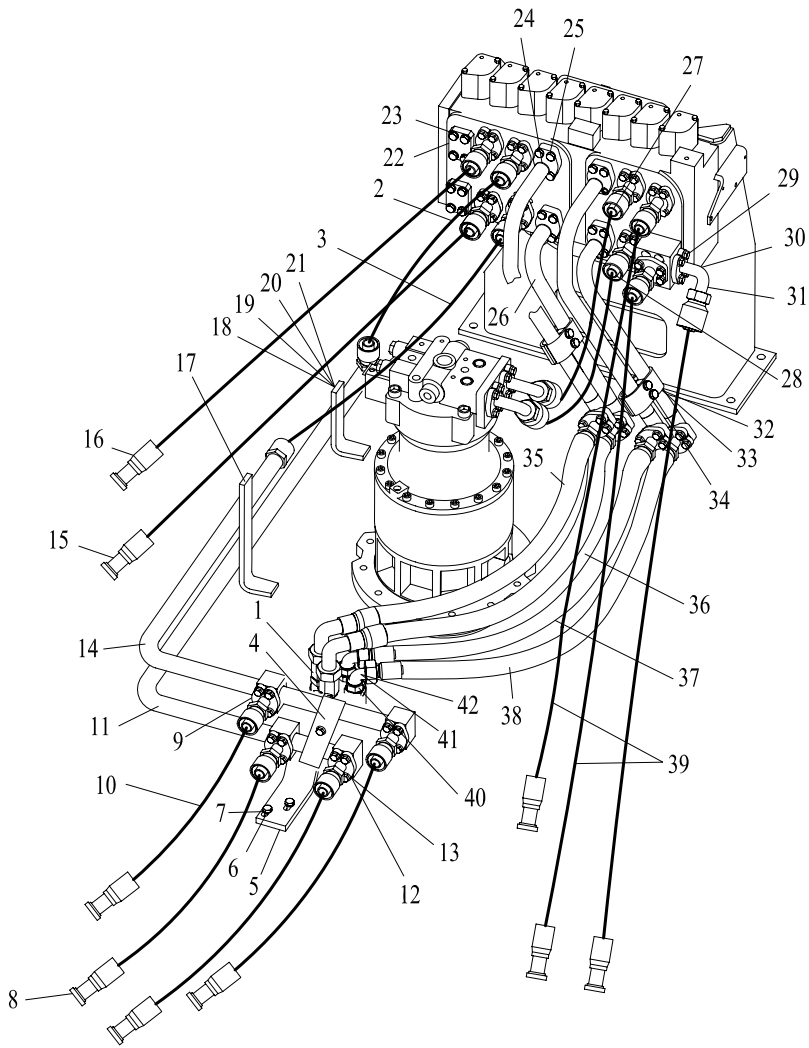


## 26 工作管路 WORK LINES

序号 NO.	代号 CODE	零件名称	PART NAME	数量 QTY	代码 S. C	备注 NOTE
1	LG6360.05.04-02	长接头	LONG CONNECTOR	2		
2	F7816A6N161616-620	胶管总成	HOSE ASS'Y	1		
3	F7816A6F202020-1020	胶管总成	HOSE ASS'Y	1		
4	LG6360.05.03-09	管夹	PIPE CLAMP	2		
5	LG6360.05.03-10	支座	SUPPORT	1		
6	GB/T5783	螺栓 M12×30	BOLT M12×30	6		
7	GB/T97.1	垫圈12	WASHER 12	34		
8	F7811515161616-1150	软管总成	HOSE ASS'Y	2		
9	M1M1HK-16	法兰组件	FLANGE COMPONENT	23		
10	F7811515161616-1100	软管总成	HOSE ASS'Y	2		
11	LG6360.05.03.04	小腔管	SMALL CHAMBER PIPE	1		
12	O222	O形圈Φ37.69×3.53	O-RING Φ37.69×3.53	1		
13	FS-20	法兰组件	FLANGE COMPONENT	1		
14	LG6360.05.03.05	大腔管	BIG CHAMBER PIPE	1		
15	F7316A15161616-1800	软管总成	HOSE ASS'Y	1		
16	F7316A15161616-1750	软管总成	HOSE ASS'Y	1		
17	LG6360.05.03-08	支板2	SUPPORT 2	1		
18	LG6360.05.03-07	支板1	SUPPORT 1	1		
19	JB/ZQ4321	U形螺栓38	U-BOLT 38	3		
20	GB/T6170	螺母 M12	NUT M12	6		
21	GB/T5783	螺栓 M12×30	BOLT M12×30	6		
22	LG6360.05.03-04	法兰盖	FLANGE COVER	2		
23	O219	O形圈Φ32.92×3.53	O-RING Φ32.92×3.53	7		
24	LG6360.05.04.01	行走长管	TRAVEL PIPE	2		
25	GB/T5782	螺栓 M12×45	BOLT M12×45	16		
26	LG6360.05.04.02	行走管	TRAVEL PIPE	2		
27	F7316A19161616-640	软管总成	HOSE ASS'Y	4		
28	F7316A19161616-750	软管总成	HOSE ASS'Y	4		
29	GB/T5782	螺栓 M12×85	BOLT M12×85	4		
30	M2M2HK-16	法兰组件	FLANGE COMPONENT	8		
31	F7316N15161616-1900	软管总成	HOSE ASS'Y	1		
32	LG6360.15-04	橡胶垫	RUBBER PAD	8		
33	LG6360.05.04.03	管夹	PIPE CLAMP	4		
34	GB/T5782	螺栓 M12×65	BOLT M12×65	4		
35	F7311C15161616-1020	软管总成	HOSE ASS'Y	1		
36	F7311C15161616-1070	软管总成	HOSE ASS'Y	1		
37	F731C915161616-1010	软管总成	HOSE ASS'Y	1		

## 26 工作管路

### WORK LINES

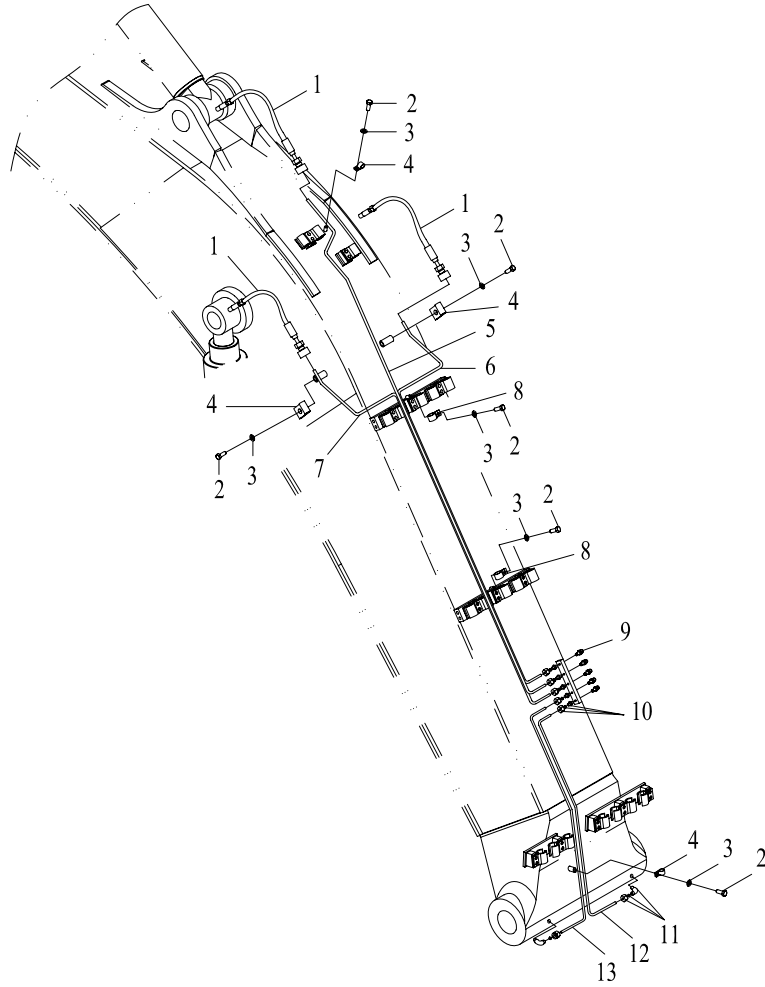


## 26 工作管路 WORK LINES

序号 NO.	代号 CODE	零件名称	PART NAME	数量 QTY	代码 S. C	备注 NOTE
38	F731C915161616-1090	软管总成	HOSE ASS'Y	1		
39	F7316A15161616-1750	软管总成	HOSE ASS'Y	2		
40	LG6360.05.04-01	非标接头	NONSTANDARD CONNECTOR	2		
41	P30(JIS B2401)	O形圈Φ29.7×3.5	O-RING Φ29.7×3.5	4		
42	EW25SOMDA3C	直角组合接头	RIGHT ANGLE COMBINED CONNECTOR	2		

## 27 动臂润滑管路

### BOOM LUBRICATION LINES





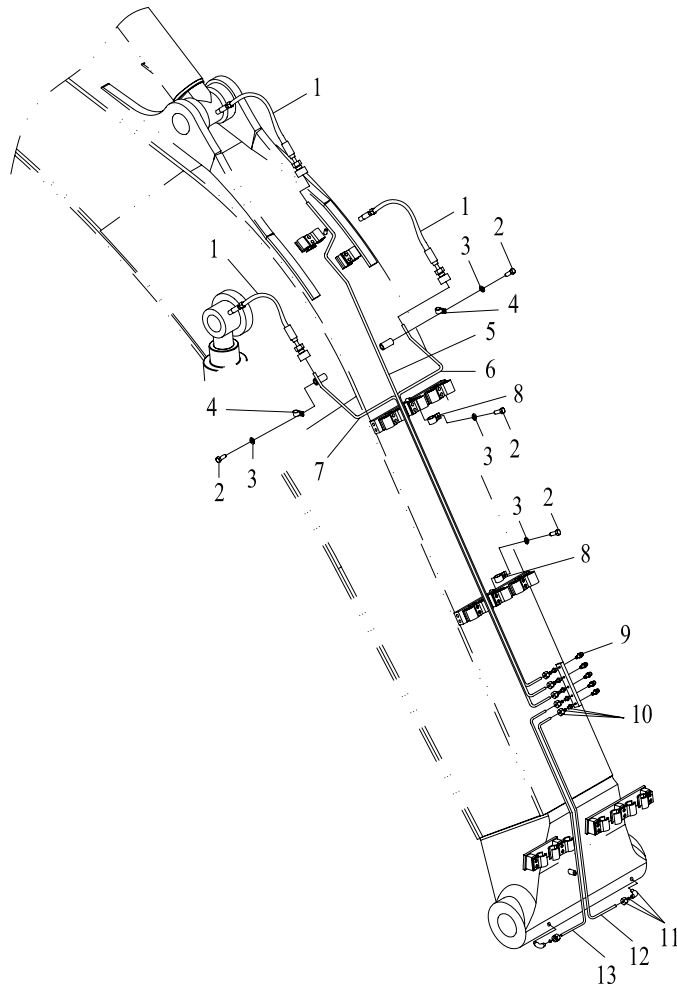
## 27 动臂润滑管路

## BOOM LUBRICATION LINES

序号 NO.	代号 CODE	零件名称	PART NAME	数量 QTY	代码 S. C	备注 NOTE
1	(8-6变径接头)- 30487-450R1/8	软管总成	HOSE ASS'Y	3		
2	GB/T70. 1	螺钉 M8×12	SCREW M8×12	8		
3	GB/T 97. 1	垫圈8	WASHER 8	8		
4	3700908	管夹	PIPE CLAMP	3		
5	LG6360. 15-14	润滑管2	LUBRICATION PIPE 2	1		
6	LG6360. 15-13	润滑管1	LUBRICATION PIPE 1	1		
7	LG6360. 15-15	润滑管3	LUBRICATION PIPE 3	1		
8	3700925	管夹	PIPE CLAMP	2		
9	HS671004	油杯 PT1/8	GREASE FITTING PT1/8	5		
10	S80301	直通接头	STRAIGHT CONNECTOR	5		
11	S80308	直角接头	RIGHT ANGLE CONNECTOR	2		
12	LG6360. 15-17	润滑管5	LUBRICATION PIPE 5	1		
13	LG6360. 15-16	润滑管4	LUBRICATION PIPE 4	1		

## 28 动臂润滑管路(短臂)

### BOOM LUBRICATION LINES(SHORTENED TYPE)



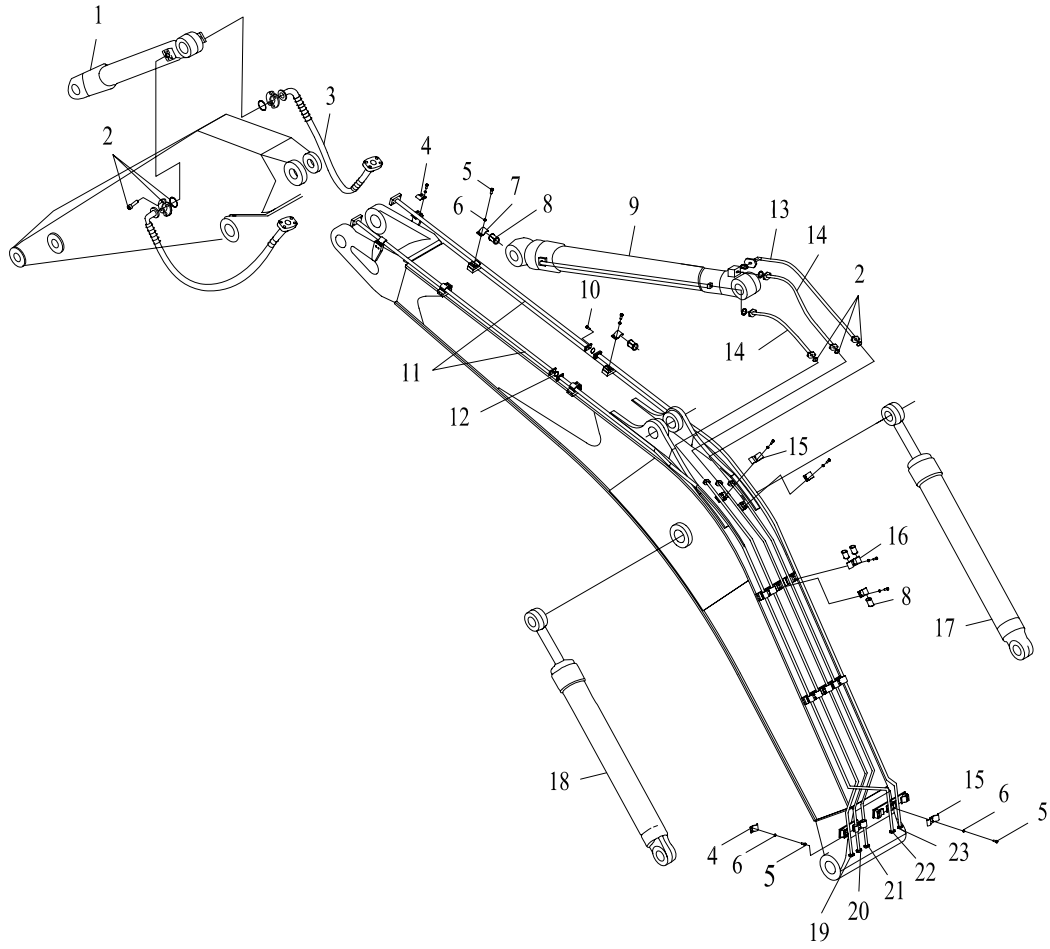
## 28 动臂润滑管路（短臂）

### BOOM LUBRICATION LINES(SHORTENED TYPE)

序号 NO.	代号 CODE	零件名称	PART NAME	数量 QTY	代码 S. C	备注 NOTE
1	(8-6变径接头)- 30487-450R1/8	软管总成	HOSE ASS'Y	3		
2	GB/T70. 1	螺钉 M8×12	SCREW M8×12	8		
3	GB/T 97. 1	垫圈8	WASHER 8	8		
4	3700908	管夹	PIPE CLAMP	2		
5	LG6360. 51-01	润滑管	LUBRICATION PIPE 2	1		
6	LG6360. 51-03	润滑管1	LUBRICATION PIPE 1	1		
7	LG6360. 51-02	润滑管3	LUBRICATION PIPE 3	1		
8	3700925	管夹	PIPE CLAMP	2		
9	HS671004	油杯 PT1/8	GREASE FITTING PT1/8	5		
10	S80301	直通接头	STRAIGHT CONNECTOR	5		
11	S80308	直角接头	RIGHT ANGLE CONNECTOR	2		
12	LG6360. 15-17	润滑管5	LUBRICATION PIPE 5	1		
13	LG6360. 15-16	润滑管4	LUBRICATION PIPE 4	1		

## 29 工作装置管路

### COMPLEMENT LINES



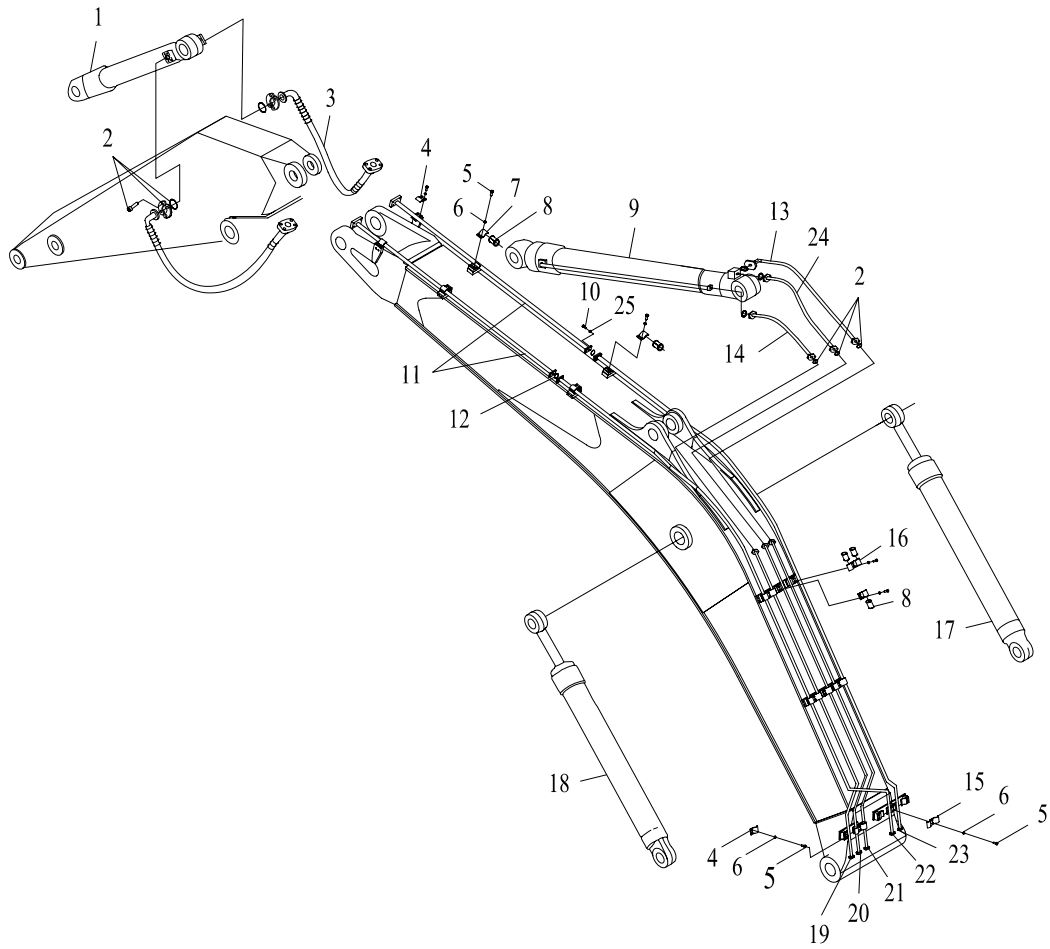
## 29 工作装置管路

## COMPLEMENT LINES

序号 NO.	代号 CODE	零件名称	PART NAME	数量 QTY	代码 S. C	备注 NOTE
1	LG6360. 32 (H103424A1)	油缸 $\Phi 140/\Phi 100$	CYLINDER $\Phi 140/\Phi 100$	1	11074	
2	M1M1HK-16	法兰组件	FLANGE COMPONENT	10		
3	F7811519161616- 1900 (PG119)	软管总成	HOSE ASS'Y	2		配标准斗杆用 FOR STANDARD ARM
	F7811519161616 -2100-SG2100	软管总成	HOSE ASS'Y	2		配 2.6m 斗杆用 FOR 2.6m ARM
4	LG6360. 15-03	管夹板	PLATE	4		
5	GB/T 5783	螺栓 M12 $\times$ 35	BOLT M12 $\times$ 35	34		
6	GB/T 97. 1	垫圈12	WASHER 12	34		
7	LG6360. 15-05	管夹板	PLATE	6		
8	LG6360. 15-04	橡胶垫	RUBBER PAD	14		
9	LG6360. 31 (H103421A1)	油缸 $\Phi 160/\Phi 115$	CYLINDER $\Phi 160/\Phi 115$	1	11074	
10	GB/T70. 1	螺钉 M10 $\times$ 40	SCREW M10 $\times$ 40	8		
11	LG6360. 15. 07	钢管总成	PIPE ASS'Y	2	14156	
12		O 形圈 $\Phi 32.92 \times 3.53$	O-RING $\Phi 32.92 \times 3.53$	2		
13	F7811519161616-880	软管总成1	HOSE ASS'Y 1	1		
14	F7811515161616-850	软管总成2	HOSE ASS'Y 2	2		
15	LG6360. 15-01	管夹板	PLATE	3		
16	LG6360. 15-03	管夹板	PLATE	4		
17	LG6360. 29R (H103422A1)	油缸 $\Phi 140/\Phi 100$	CYLINDER $\Phi 140/\Phi 100$	1	11074	
18	LG6360. 30L (H103423A1)	油缸 $\Phi 140/\Phi 100$	CYLINDER $\Phi 140/\Phi 100$	1	11074	
19	LG6360. 15. 03	钢管总成	PIPE ASS'Y	1	14156	
20	LG6360. 15. 04	钢管总成	PIPE ASS'Y	1	14156	
21	LG6360. 15. 05	钢管总成	PIPE ASS'Y	1	14156	
22	LG6360. 15. 02	钢管总成	PIPE ASS'Y	1	14156	
23	LG6360. 15. 06	钢管总成	PIPE ASS'Y	1	14156	

### 30 工作装置管路（短臂）

### COMPLEMENT LINES(SHORTENED TYPE)



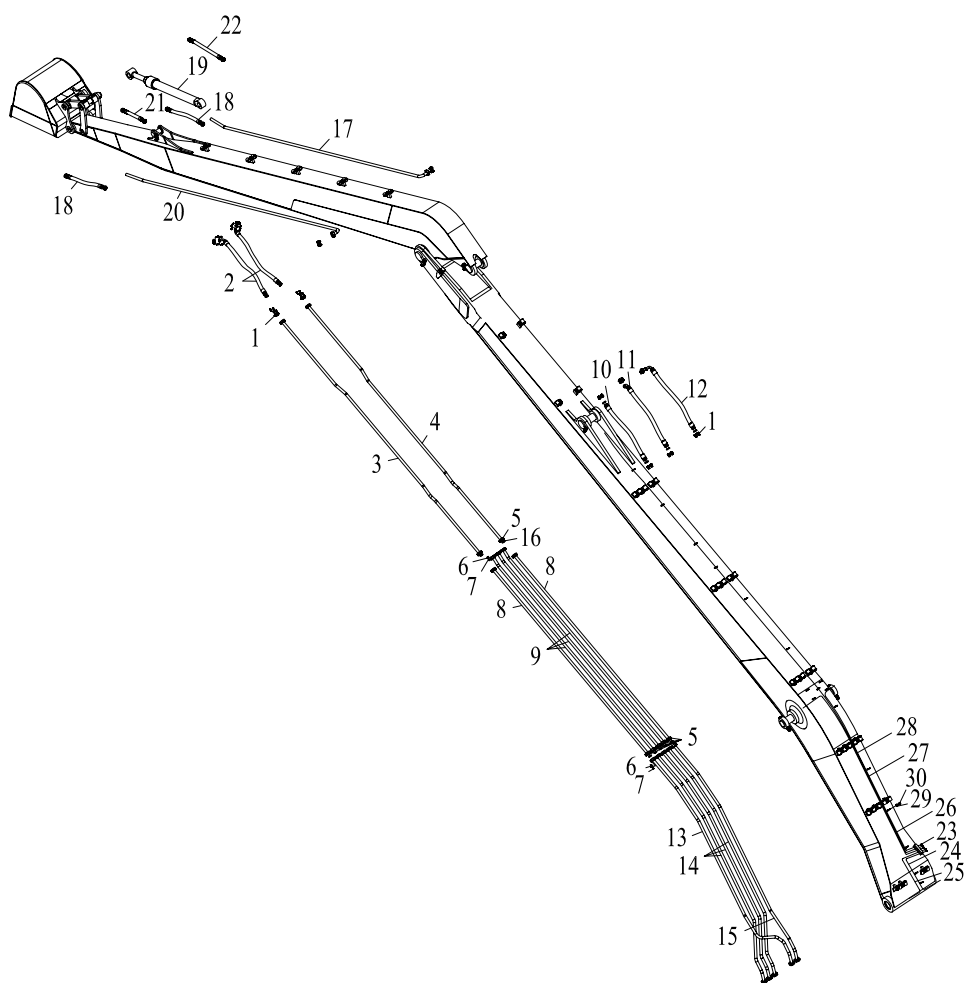
### 30 工作装置管路（短臂）

#### COMPLEMENT LINES(SHORTENED TYPE)

序号 NO.	代号 CODE	零件名称	PART NAME	数量 QTY	代码 S. C	备注 NOTE
1	LG6360. 32	铲斗油缸总成	BUCKET CYLINDER ASS'Y	1	11074	
2	M1M1HK-16	法兰组件	FLANGE COMPONENT	10		
3	F7811519161616- 2100-SG2100	软管总成	HOSE ASS'Y	2		
4	LG6360. 15-02	管夹板	PLATE	3		
5	GB/T 5783	螺栓 M12×35	BOLT M12×35	30		
6	GB/T 97. 1	垫圈12	WASHER 12	30		
7	LG6360. 15-05	管夹板	PLATE	6		
8	LG6360. 15-04	橡胶垫	RUBBER PAD	14		
9	LG6360. 31	斗杆油缸总成	ARM CYLINDER ASS'Y	1	11074	
10	GB/T70. 1	螺钉 M10×40	SCREW M10×40	8		
11	LG6360. 51. 02. 06	钢管总成	PIPE ASS'Y	2	14156	
12	J1SB2401	O形圈Φ34.7×3.53	O-RING Φ34.7×3.53	2		
13	F7811519161616-1150	软管总成1	HOSE ASS'Y 1	1		
14	F7811515161616-1125	软管总成2	HOSE ASS'Y 2	1		
15	LG6360. 15-01	管夹板	PLATE	2		
16	LG6360. 15-03	管夹板	PLATE	4		
17	LG6360. 29	动臂油缸总成（右）	BOOM CYLINDER ASS'Y R.H.	1	11074	
18	LG6360. 30	动臂油缸总成（左）	BOOM CYLINDER ASS'Y L.H.	1	11074	
19	LG6360. 51. 02. 03	钢管总成	PIPE ASS'Y	1	14156	
20	LG6360. 51. 02. 02	钢管总成	PIPE ASS'Y	1	14156	
21	LG6360. 51. 02. 01	钢管总成	PIPE ASS'Y	1	14156	
22	LG6360. 51. 02. 04	钢管总成	PIPE ASS'Y	1	14156	
23	LG6360. 51. 02. 05	钢管总成	PIPE ASS'Y	1	14156	
24	F7811515161616-1100	软管总成	HOSE ASS'Y	1		
25	GB/T93	垫圈10	WASHER 10	8		

### 31 工作装置管路 (加长臂)

### COMPLEMENT LINES(LENGTHENED TYPE)





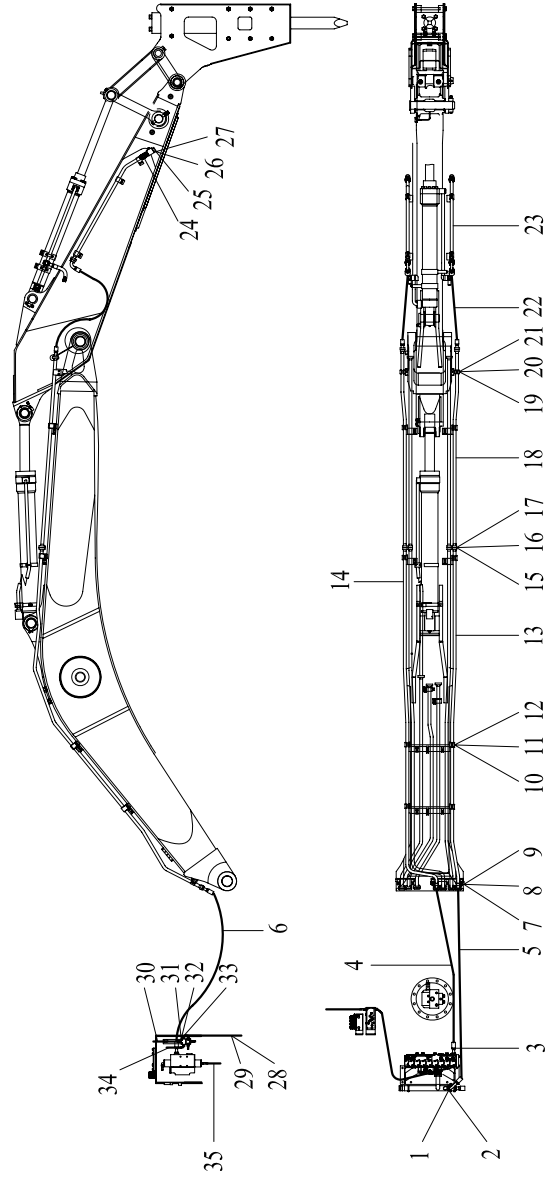
### 31 工作装置管路（加长臂）

#### COMPLEMENT LINES(LENGTHENED TYPE)

序号 NO.	代号 CODE	零件名称	PART NAME	数量 QTY	代码 S. C	备注 NOTE
1	M1M1HK-16	法兰组件	FLANGE COMPONENT	10		
2	F7811519161616-1750 -SG1750	胶管总成	HOSE ASS'Y	2		
3	LG6360. 52. 02. 06	钢管总成6	PIPE ASS'Y 6	1		
4	LG6360. 52. 02. 07	钢管总成7	PIPE ASS'Y 7	1		
5	OR34. 7×3. 53	O 形圈	O-RING	7		
6	GB/T93	垫圈10	WASHER 10	28		
7	GB/T70. 1	内六角螺钉 M10×40	HEXAGON SCREW M10×40	28		
8	LG6360. 52. 02. 04	钢管总成4	PIPE ASS'Y 4	2		
9	LG6360. 52. 02. 05	钢管总成5	PIPE ASS'Y 5	3		
10	F7811515161616-1100-SG	胶管总成	HOSE ASS'Y	1		
11	F7811515161616-1070-SG	胶管总成	HOSE ASS'Y	1		
12	F7811519161616-1220-SG	胶管总成	HOSE ASS'Y	1		
13	LG6360. 52. 02. 01	钢管总成1	PIPE ASS'Y 1	1		
14	LG6360. 52. 02. 02	钢管总成2	PIPE ASS'Y 2	3		
15	LG6360. 52. 02. 03	钢管总成3	PIPE ASS'Y 3	1		
16	OR34. 7×3. 53	O 形圈	O-RING	7		
17	LG6360. 62. 02. 02	钢管总成2	PIPE ASS'Y 2	1		
18	F371C91C161610-1100 -SG1100	胶管总成	HOSE ASS'Y	2		
19	H10346701	铲斗油缸	BUCKET CYLINDER	1		
20	LG6360. 62. 02. 01	钢管总成1	PIPE ASS'Y 1	1		
21	LG6235. 61. 02. 03	钢管总成3	PIPE ASS'Y 3	1		
22	LG6235. 61. 02. 04	钢管总成4	PIPE ASS'Y 4	1		
23	PT1/8	油杯	GREASE FITTING	5		
24	R1/8-30487- 1080R1/8 (90°)	润滑管	LUBRICATION PIPE	1		
25	R1/8-30487- 1120R1/8 (90°)	润滑管	LUBRICATION PIPE	1		
26	R1/8-30487-3500R1/8	润滑管	LUBRICATION PIPE	1		
27	R1/8-30487- 7900R1/8 (90°)	润滑管	LUBRICATION PIPE	1		
28	R1/8-30487-3500R1/8	润滑管	LUBRICATION PIPE	1		
29	GB/T97. 1	垫圈8	WASHER 8	17		
30	GB/T70. 1	螺钉 M8×20	SCREW M8×20	17		

## 32 破碎锤管路

### BREAKER LINES



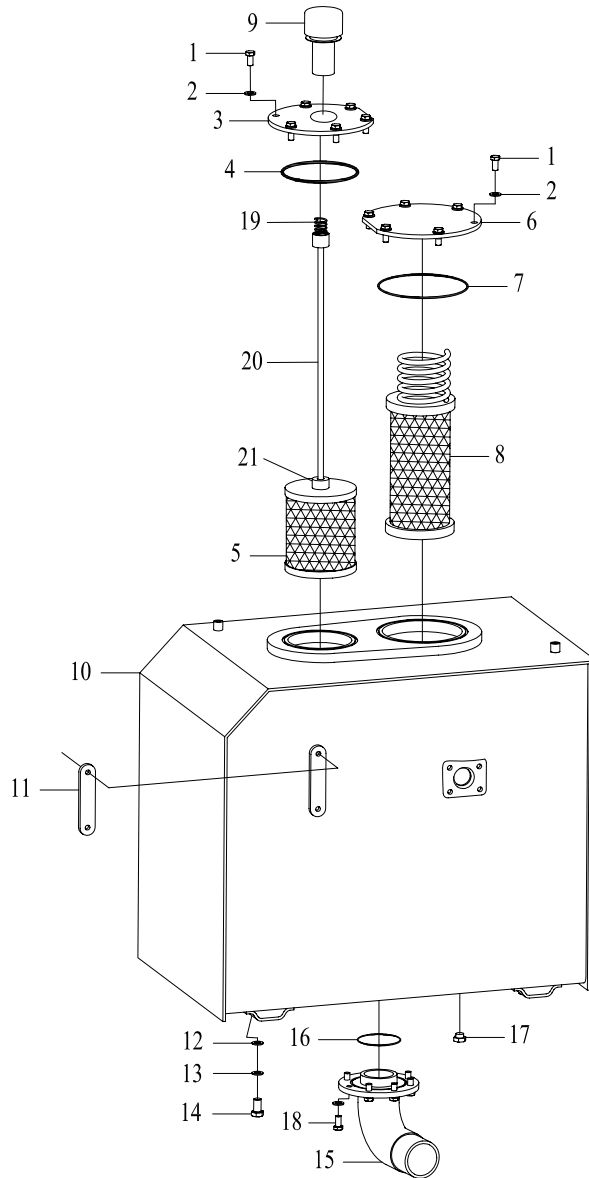
## 32 破碎锤管路

## BREAKER LINES

序号 NO.	代号 CODE	零件名称	PART NAME	数量 QTY	代码 S. C	备注 NOTE
1	1BG-16 B2351	端直通接头	END STRAIGHT CONNECTOR	1		
2	2B9-16	直角接头	RIGHT ANGLE CONNECTOR	1		
3	M2M2HK-16	法兰组件	FLANGE COMPONENTS	1		
4	F7316A15161616-1900	软管总成	HOSE ASS'Y	1		
5	F481CE15281616-2200	软管总成	HOSE ASS'Y	1		
6	M1M1HK-16	法兰组件	FLANGE COMPONENTS	2		
7	LG6360. 15-02	管夹板	PIPE CLAMP	12		
8	GB/T5783	螺栓 M12×35	BOLT M12×35	4		
9	GB/T97. 1	垫圈 12	WASHER 12	50		
10	LG6360. 20-01	过渡块	TRANSITION BLOCK	8		
11	LG6360. 15-05	管夹板	PIPE CLAMP	24		
12	LG6360. 15-04	橡胶垫	RUBBER PAD	12		
13	LG6360. 20. 01	右钢管	RIGHT PIPE	1		
14	LG6360. 20. 02	左钢管	LEFT PIPE	1		
15	OR32. 92X3. 53	O 型圈	O-RING	2		
16	GB/T70. 1	螺钉 M10×40	SCREW M10×40	8		
17	GB/T97. 1	垫圈 10	WASHER 10	4		
18	LG6360. 20. 03	钢管 1	PIPE 1	2		
19	LG6360. 20-02	垫块	BLOCK	2		
20	LG6360. 20-03	管夹	PIPE CLAMP	4		
21	GB/T5783	螺栓 M12×55	BOLT M12×55	4		
22	F7811519161616-1800	软管总成	HOSE ASS'Y	2		
23	LG63600. 20. 04	斗杆钢管	ARM PIPE	2		
24	EGE-G1-16WD	端直通组合接头	END STRAIGHT COMBINED CONNECTOR	2		
25	1FG-16WD	端直通接头	END STRAIGHT CONNECTOR	2		
26	9F-16	内螺纹堵头	INTERNAL THREAD PLUG	2		
27	BKH-G1	高压球阀	HIGH PRESSURE BALL VALVE	2		
28	1BG-06-04	端直通接头	END STRAIGHT CONNECTOR	4		
29	F481CACF121206-1650	软管总成	HOSE ASS'Y	1		
30	F481CACF121206-1750	软管总成	HOSE ASS'Y	1		
31	GB/T97. 1	垫圈 6	WASHER 6	8		
32	GB/T5872	螺栓 M6×40	BOLT M6×40	2		
33	WYS-02	梭阀块	SHUTTLE VALVE BLOCK	1		
34	F481CACF121206-1000	软管总成	HOSE ASS'Y	1		
35	F481CACF121206-1800	软管总成	HOSE ASS'Y	1		

### 33 液压油箱

### HYDRAULIC OIL TANK



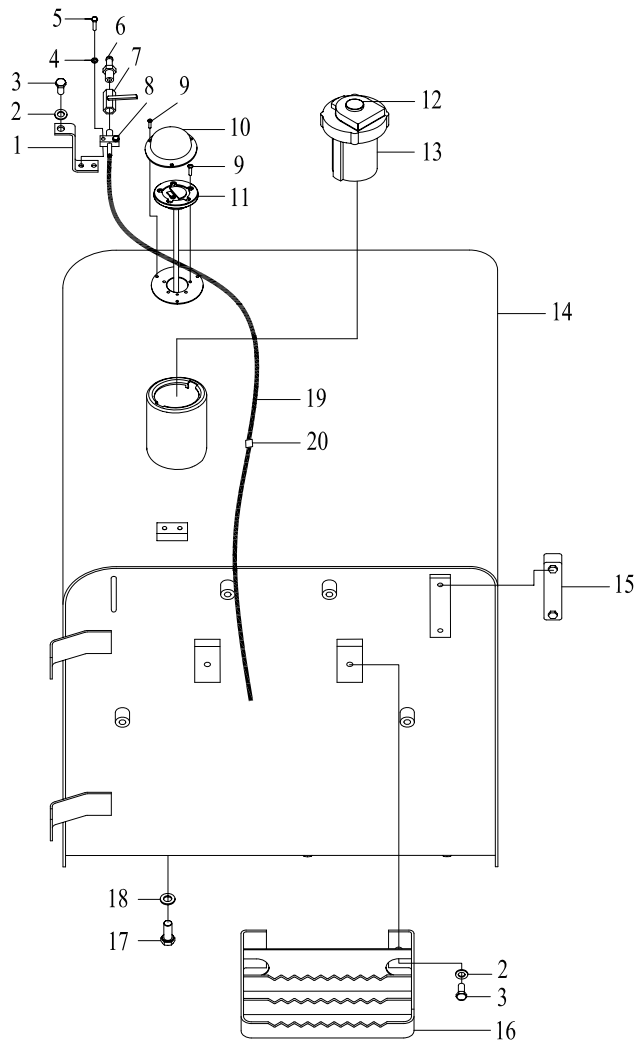
## 33 液压油箱

## HYDRAULIC OIL TANK

序号 NO.	代号 CODE	零件名称	PART NAME	数量 QTY	代码 S. C	备注 NOTE
1	GB/T5783	螺栓 M10×25	BOLT M10×25	16		
2	GB/T97. 1	垫圈10	WASHER 10	16		
3	LG6360. 02B. 02	盖板	COVER PLATE	1		
4	AS568	O 形圈Φ215. 49×3. 53	O-RING Φ215.49×3.53	1		
5	EF-078	吸油滤总成	OIL SUCTION FILTER ASS'Y	1		
6	LG6230. 02-01	盖板	COVER PLATE	1		
7	GB/T3452. 1	O 形圈Φ195×3. 55	O-RING Φ195×3.55	1		
8	EF-092C-S	回油滤总成	OIL RETURN FILTER ASS'Y	1		
9	SMBB-80-S-0-10-10- B-S100-0	金属注油通气器	OIL FILLING/AIR CHANGE FILTER	1		
10	LG6360. 02B. 01	液压油箱	HYDRAULIC OIL TANK	1		
11	YWZ-200	油位计	OIL LEVEL GAUGE	1		
12	LG6230. 02-03	调整垫片	ADJUST SHIM	4		
13	GB/T97. 1	垫圈16	WASHER 16	4		
14	GB/T5783	螺栓 M16×40	BOLT M16×40	4		
15	LG6360. 02. 03	出油管	OIL OUTLET PIPE	1		
16	GB/T3452. 1	O 形圈Φ115×3. 55	O-RING Φ115×3.55	1		
17	4G-08	堵头	PLUG	3		
18	GB/T5783	螺栓 M12×35	BOLT M12×35	6		
19	LG6230. 02-04	弹簧	SPRING	1		
20	LG6360. 02B. 03	连杆	ROD	1		
21	GB/T6170	螺母 M10	NUT M10	1		

### 34 燃油箱

## FUEL TANK

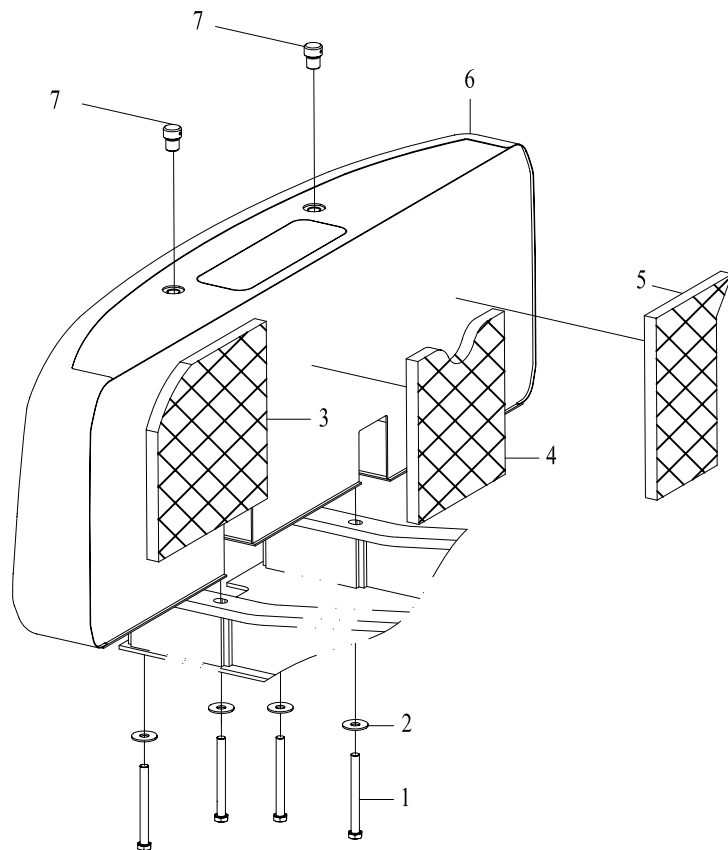


### 34 燃油箱 FUEL TANK

序号 NO.	代号 CODE	零件名称	PART NAME	数量 QTY	代码 S. C	备注 NOTE
1	LG6360. 03. 02	折弯板	BENT PLATE	1		
2	GB/T97. 1	垫圈12	WASHER 12	3		
3	GB/T5783	螺栓 M12×25	BOLT M12×25	3		
4	GB/T97. 1	垫圈6	WASHER 6	2		
5	GB/T5783	螺栓 M6×30	BOLT M6×30	2		
6	S80310	1/4-8转换接头	1/4-8 TRANSITION CONNECTOR	1		
7	Q11F16P1/4	球阀	BALL VALVE	1		
8	LG6360. 03-01	接头	CONNECTOR	1		
9	GB/T818	螺钉 M5×10	SCREW M5×10	8		
10	CDM606. 03A-01	盖	CAP	1		
11	224-082-007-061R	油位传感器	OIL LEVEL SENSOR	1		
12	NBS1021-1	锁盖	LOCKED COVER	1		
13	2471-9046	燃油滤芯	FUEL FILTER ELEMENT	1		
14	LG6360. 03. 01	燃油箱	FUEL TANK	1	14169	
15	LS 127 1-W-M10	液位计	GAUGE	1		
16	LG6150. 03. 02	踏脚	FOOT PEDAL	1		
17	GB/T5783	螺栓 M16×40	BOLT M16×40	6		
18	GB/T1230	垫圈16	WASHER 16	6		
19	Q/GHXF 23	燃油管8/15.5×1000	FUEL PIPE 8/15.5×1000	1		
20	G9H1222	卡箍 Φ12-22	CLAMP Φ12-22	2		

### 35 配重总成

### COUNTER WEIGHT ASS'Y





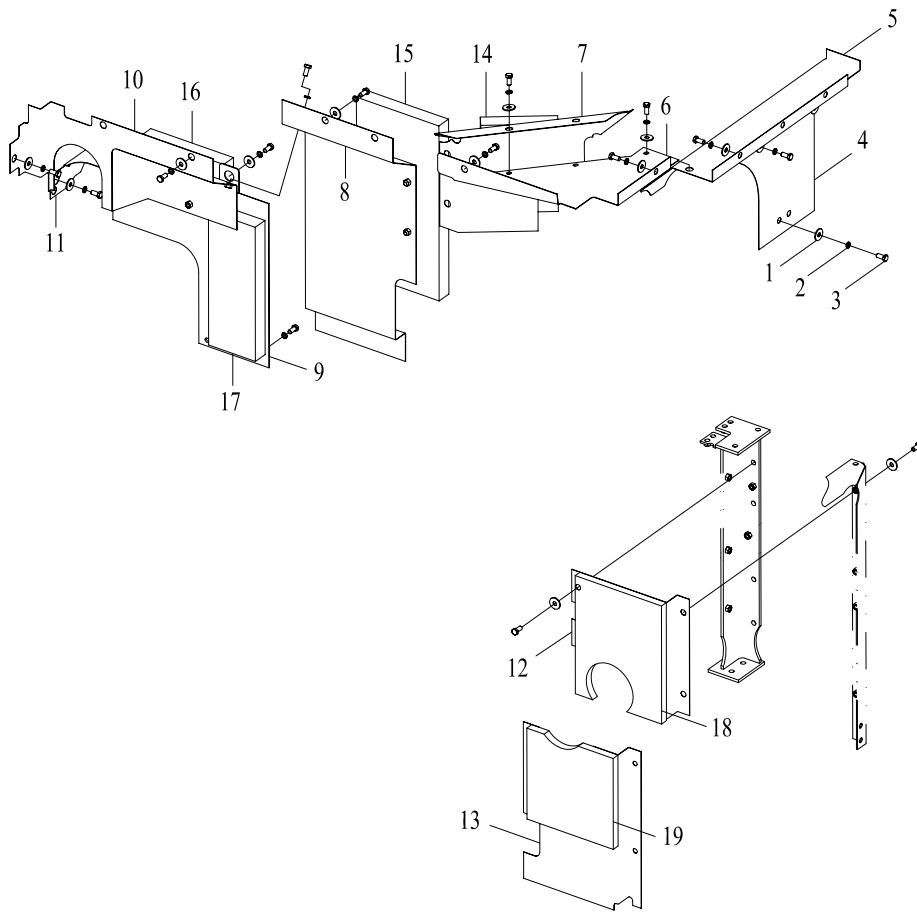
## 35 配重总成

## COUNTER WEIGHT ASS'Y

序号 NO.	代号 CODE	零件名称	PART NAME	数量 QTY	代码 S. C	备注 NOTE
1	GB/T5782	螺栓 M30×330	BOLT M30×330	4		
2	GB/T1230	垫圈30	WASHER 30	4		
3	LG6360. 11-01	衬垫	GASKET	1	14160	
4	LG6360. 11-02	衬垫	GASKET	1	14160	
5	LG6360. 11-03	衬垫	GASKET	1	14160	
6	LG6360. 11. 01	配重	COUNTER WEIGHT	1	14160	
7	CDM6210. 03-05	闷堵	PLUG	2		

### 36 隔热板

### THERMAL Baffle

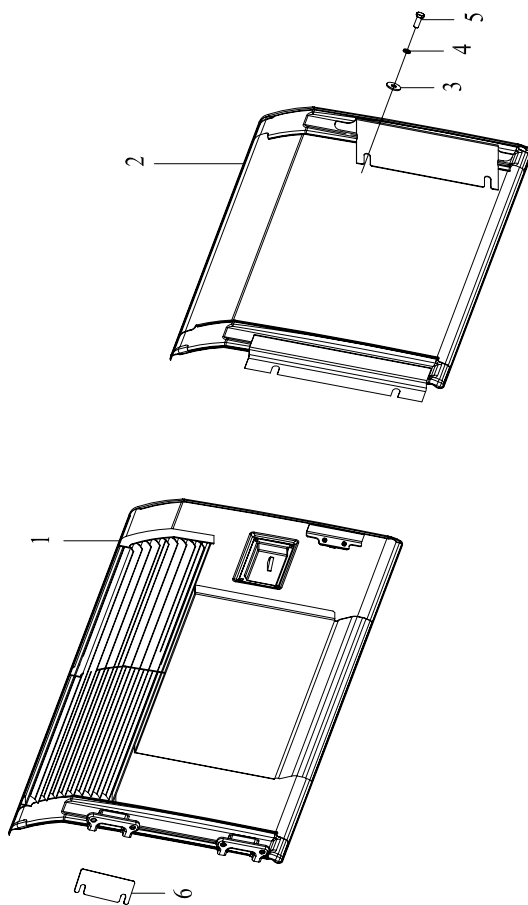


### 36 隔热板

#### THERMAL BAFFLE

序号 NO.	代号 CODE	零件名称	PART NAME	数量 QTY	代码 S. C	备注 NOTE
1	GB/T96.2	垫圈12	WASHER 12	33		
2	GB/T93	垫圈12	WASHER 12	33		
3	GB/T5783	螺栓 M12×25	BOLT M12×25	33		
4	LG6360.14.02-01	左下隔板	LEFT BAFFLE, LOWER	1		
5	LG6360.14.02.03	左后隔板	LEFT BAFFLE, REAR	1		
6	LG6360.14.02.06	左前隔板	LEFT BAFFLE, FRONT	1		
7	LG6360.14.02.05	转角隔板	CORNER BAFFLE	1		
8	LG6360.14.02.01	前左隔板	FRONT BAFFLE, LEFT	1		
9	LG6360.14.02.02	前下隔板	FRONT BAFFLE, LOWER	1		
10	LG6360.14.02.04	前上隔板	FRONT BAFFLE, UPPER	1		
11	LG6360.14.02-05	右下连接板	RIGHT CONNECTING PLATE, LOWER	1		
12	LG6360.14.02-06	空滤器上隔板	UPPER BAFFLE, AIR CLEANER	1		
13	LG6360.14.02-07	空滤器下隔板	LOWER BAFFLE, AIR CLEANER	1		
14	LG6360.14.02-10	吸音垫4	SOUND-ABSORBING PAD 4	1		
15	LG6360.14.02-02	吸音垫1	SOUND-ABSORBING PAD 1	1		
16	LG6360.14.02-04	吸音垫3	SOUND-ABSORBING PAD 3	1		
17	LG6360.14.02-03	吸音垫2	SOUND-ABSORBING PAD 2	1		
18	LG6360.14.02-08	衬垫1	GASKET 1	1		
19	LG6360.14.02-09	衬垫2	GASKET 2	1		

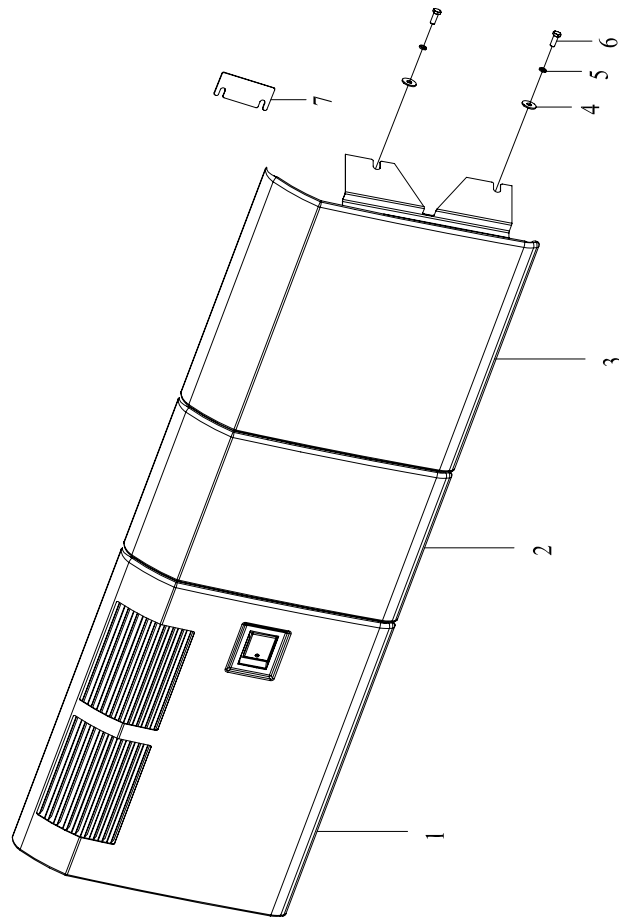
37 左门  
LEFT DOOR



### 37 左门 LEFT DOOR

序号 NO.	代号 CODE	零件名称	PART NAME	数量 QTY	代码 S. C	备注 NOTE
1	LG6360. 14. 04. 01	左前门部件	LEFT DOOR COMPONENT, FRONT	1		
2	LGW-NBS504B	门锁	DOOR LOCK	1		
3	LG6360. 14. 04. 02	左后门部件	LEFT DOOR COMPONENT, REAR	1		
4	LG6360. 14. 04-01	调整垫片	ADJUST SHIM	4组		4 GROUPS
5	LG6230. 14-02	大垫圈 D12	BIG WASHER D12	8		
6	GB/T93	垫圈12	WASHER 12	8		
7	GB/T5783	螺栓 M12×30	BOLT M12×30	8		

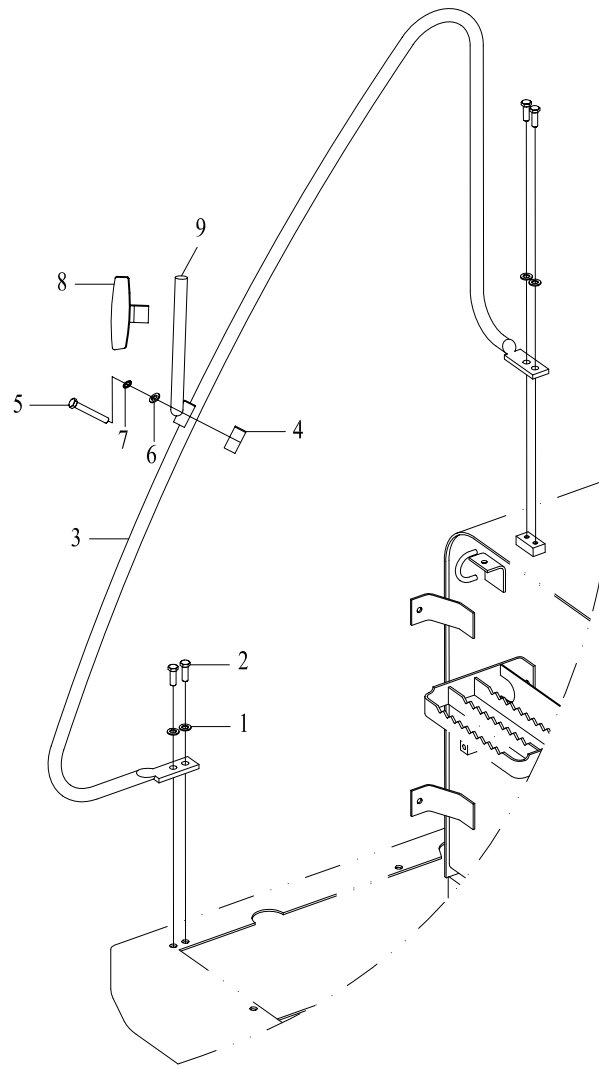
38 右门  
RIGHT DOOR



### 38 右门 RIGHT DOOR

序号 NO.	代号 CODE	零件名称	PART NAME	数量 QTY	代码 S. C	备注 NOTE
1	LG6360. 14. 04-01	调整垫片	ADJUST SHIM	4组		4 GROUPS
2	LG6360. 14. 04. 03	右后门部件	RIGHT DOOR COMPONENT, REAR	1		
3	LGW-NBS504B	门锁	DOOR LOCK	1		
4	LG6360. 14. 04. 04	右中门部件	RIGHT DOOR COMPONENT, MIDDLE	1		
5	LG6360. 14. 04. 05	右前门	RIGHT FRONT DOOR	1		
6	LG6230. 14-02	大垫圈 D12	BIG WASHER D12	12		
7	GB/T93	垫圈12	WASHER 12	12		
8	GB/T5783	螺栓 M12×30	BOLT M12×30	12		

### 39 扶手 HANDRAIL

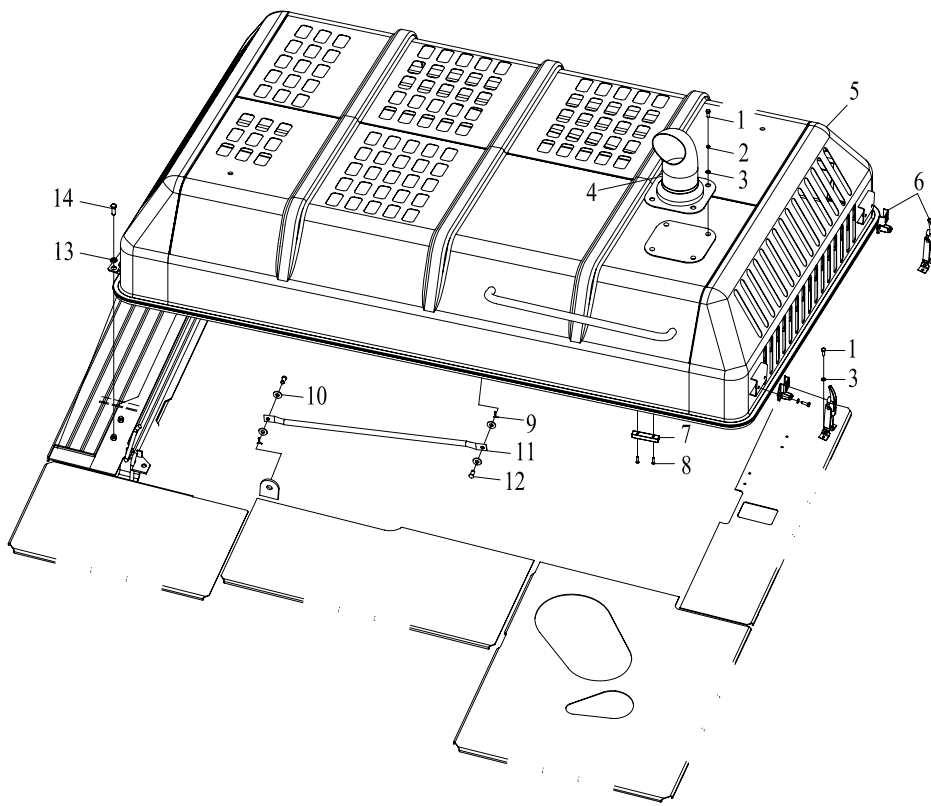




### 39 扶手 HANDRAIL

序号 NO.	代号 CODE	零件名称	PART NAME	数量 QTY	代码 S. C	备注 NOTE
1	GB/T97.1	垫圈12	WASHER 12	4		
2	GB/T5783	螺栓 M12×30	BOLT M12×30	4		
3	LG6360.14.07.01	扶手焊接	HANDRAIL WELDMENT	1		
4	SHHGG1-335	管夹	PIPE CLAMP	1		
5	GB/T5783	螺栓 M10×80	BOLT M10×80	2		
6	GB/T97.1	垫圈10	WASHER 10	2		
7	GB/T93	垫圈10	WASHER 10	2		
8	4215425610	后视镜 Φ27	BACK MIRROR Φ27	1		
9	LG6230.14.07.02	弯管	ELBOW PIPE	1		

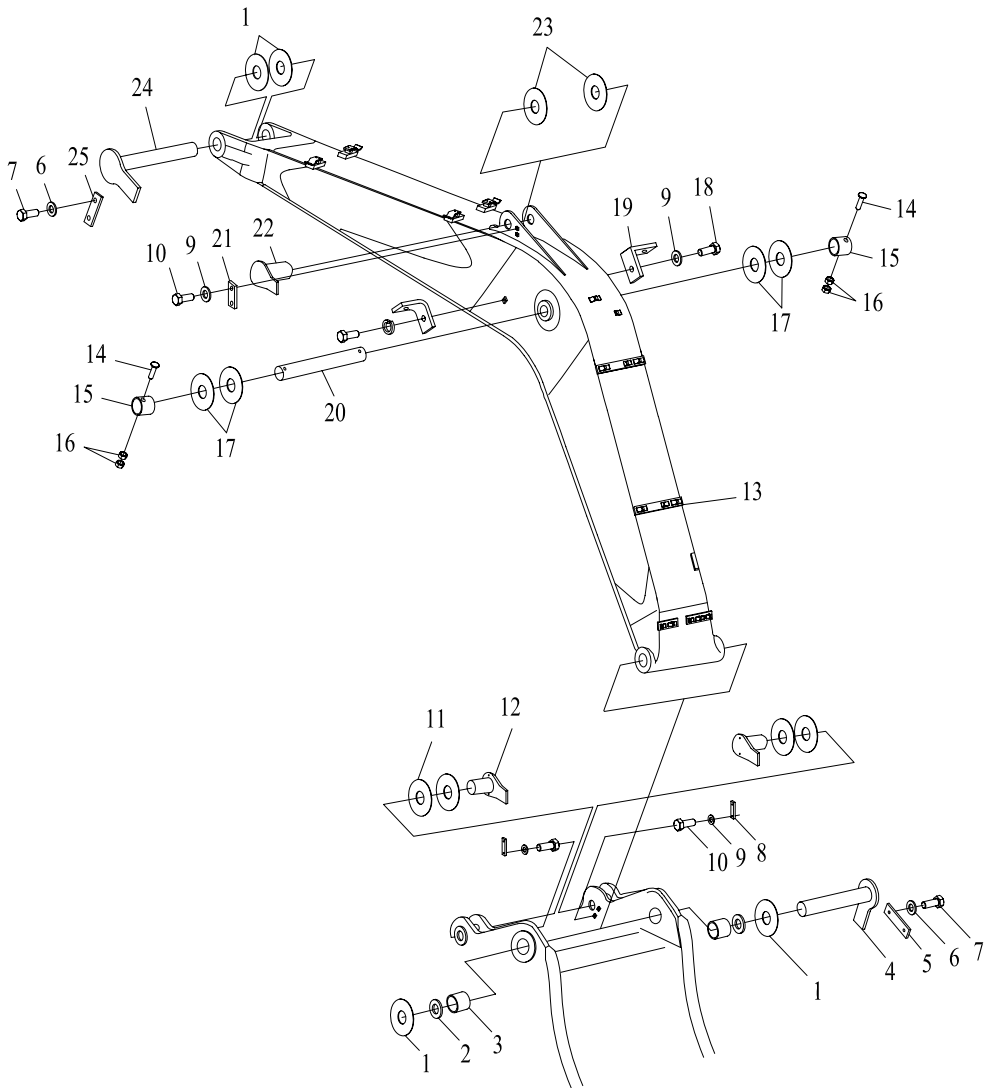
40 机罩  
HOOD



## 40 机罩 HOOD

序号 NO.	代号 CODE	零件名称	PART NAME	数量 QTY	代码 S. C	备注 NOTE
1	GB/T5783	螺栓 M8×25	BOLT M8×25	12		
2	GB/T93	垫圈8	WASHER 8	4		
3	GB/T97. 1	垫圈8	WASHER 8	12		
4	LG6360. 14. 05. 02	排气管	EXHAUST	1		
5	LG6360. 14. 05. 01	发动机罩	ENGINE HOOD	1	14159	
6	NBS415	发动机罩锁	ENGINE HOOD LOCK	2		
7	LG6360. 14. 05—01	缓冲垫	BUFFER	2		
8	GB/T819	螺钉 M6×30	SCREW M6×30	4		
9	GB/T91	开口销4×20	COTTER PIN 4×20	2		
10	LG6230. 14-02	大垫圈 D12	BIG WASHER D12	4		
11	LG6360. 14. 06-01	杆	ROD	1		
12	GB/T882	销轴12×26	PIN 12×26	2		
13	GB/T97. 1	垫圈12	WASHER 12	4		
14	GB/T5783	螺栓 M12×35	BOLT M12×35	4		

# 41 动臂总成 BOOM ASS'Y

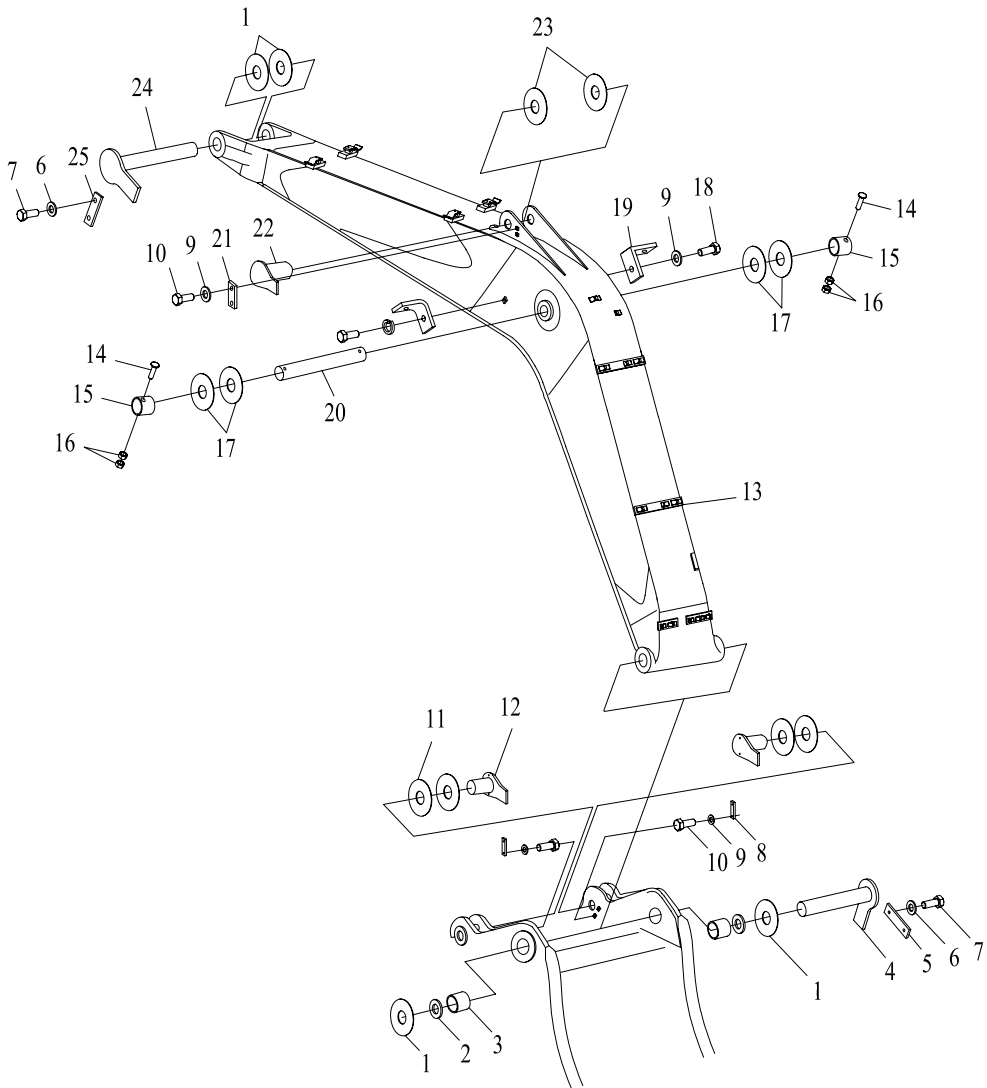


## 41 动臂总成 BOOM ASS'Y

序号 NO.	代号 CODE	零件名称	PART NAME	数量 QTY	代码 S. C	备注 NOTE
1	LG6360. 12-04	调整垫圈	ADJUST SHIM	4组		4 GROUPS
2	VAW11001	防尘圈 $\Phi 110 \times 125 \times 9$	DUST SEAL $\Phi 110 \times 125 \times 9$	2		
3	LG6360. 15-12	钢套	STEEL SLEEVE	2		
4	LG6360. 12. 02	销轴总成	PIN ASS'Y	1		
5	LG6360. 12-03	压板	PRESS PLATE	1		
6	GB/T97. 1	垫圈16	WASHER 16	4		
7	GB/T5783	螺栓 M16 $\times$ 35	BOLT M16 $\times$ 35	4		
8	LG6360. 12-05	压板	PRESS PLATE	2		
9	GB/T97. 1	垫圈12	WASHER 12	7		
10	GB/T5783	螺栓 M12 $\times$ 35	BOLT M12 $\times$ 35	5		
11	LG6360. 12-06	调整垫圈	ADJUST SHIM	4组		4 GROUPS
12	LG6360. 12. 03	销轴总成	PIN ASS'Y	2		
13	LG6360. 15. 01	动臂焊合	BOOM WELDMENT	1	02034	
14	GB/T5782	螺栓 M24 $\times$ 220	BOLT M24 $\times$ 220	2		
15	LG6360. 15-10	隔套	SLEEVE	2		
16	GB/T6170	螺母 M24	NUT M24	4		
17	LG6360. 15-11	调整垫圈	ADJUST SHIM	4组		4 GROUPS
18	GB/T2783	螺栓 M12 $\times$ 25	BOLT M12 $\times$ 25	2		
19	LG6360. 15-19	灯架	LAMP BRACKET	2		
20	LG6360. 15-09	动臂中部销轴	BOOM MIDDLE PIN	1	11075	
21	LG6360. 15-07	压板	PRESS PLATE	1		
22	LG6360. 15. 10	销轴总成	PIN ASS'Y	1	11075	
23	LG6360. 15-08	调整垫圈	ADJUST SHIM	2组		2 GROUPS
24	LG6360. 15. 09	销轴总成	PIN ASS'Y	1	11075	
25	LG6360. 15-06	压板	PRESS PLATE	1		

## 42 动臂总成 (短臂)

### BOOM ASS'Y(SHORTENED TYPE)



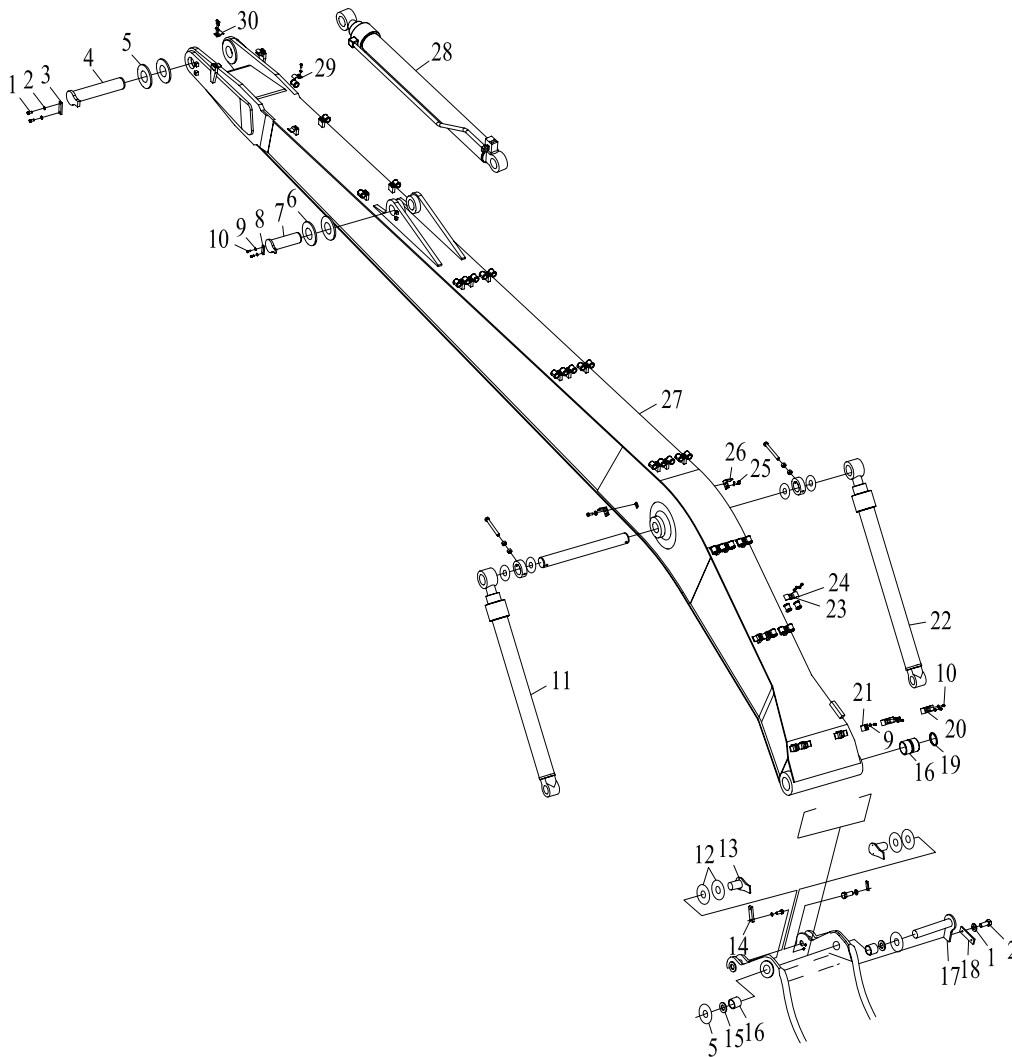
## 42 动臂总成 (短臂)

## BOOM ASS'Y(SHORTENED TYPE)

序号 NO.	代号 CODE	零件名称	PART NAME	数量 QTY	代码 S. C	备注 NOTE
1	LG6360. 12-04	调整垫圈	ADJUST SHIM	4组		4 GROUPS
2	VAW11001	防尘圈 $\Phi 110 \times 125 \times 9$	DUST SEAL $\Phi 110 \times 125 \times 9$	2		
3	LG6360. 15-12	钢套	STEEL SLEEVE	2		
4	LG6360. 12. 02	销轴总成	PIN ASS'Y	1		
5	LG6360. 12-03	压板	PRESS PLATE	1		
6	GB/T97. 1	垫圈16	WASHER 16	4		
7	GB/T5783	螺栓 M16 $\times$ 35	BOLT M16 $\times$ 35	4		
8	LG6360. 12-05	压板	PRESS PLATE	2		
9	GB/T97. 1	垫圈12	WASHER 12	7		
10	GB/T5783	螺栓 M12 $\times$ 35	BOLT M12 $\times$ 35	5		
11	LG6360. 12-06	调整垫圈	ADJUST SHIM	4组		4 GROUPS
12	LG6360. 12. 03	销轴总成	PIN ASS'Y	2		
13	LG6360. 51. 01	动臂焊合	BOOM WELDMENT	1	02034	
14	GB/T5782	螺栓 M24 $\times$ 220	BOLT M24 $\times$ 220	2		
15	LG6360. 15-10	隔套	SLEEVE	2		
16	GB/T6170	螺母 M24	NUT M24	4		
17	LG6360. 15-11	调整垫圈	ADJUST SHIM	4组		4 GROUPS
18	GB/T2783	螺栓 M12 $\times$ 25	BOLT M12 $\times$ 25	2		
19	LG6360. 15-19	灯架	LAMP BRACKET	2		
20	LG6360. 15-09	动臂中部销轴	BOOM MIDDLE PIN	1	11075	
21	LG6360. 15-07	压板	PRESS PLATE	1		
22	LG6360. 15. 10	销轴总成	PIN ASS'Y	1	11075	
23	LG6360. 15-08	调整垫圈	ADJUST SHIM	2组		2 GROUPS
24	LG6360. 15. 09	销轴总成	PIN ASS'Y	1	11075	
25	LG6360. 15-06	压板	PRESS PLATE	1		

### 43 动臂总成 (加长臂)

### BOOM ASS'Y (LENGTHENED TYPE)



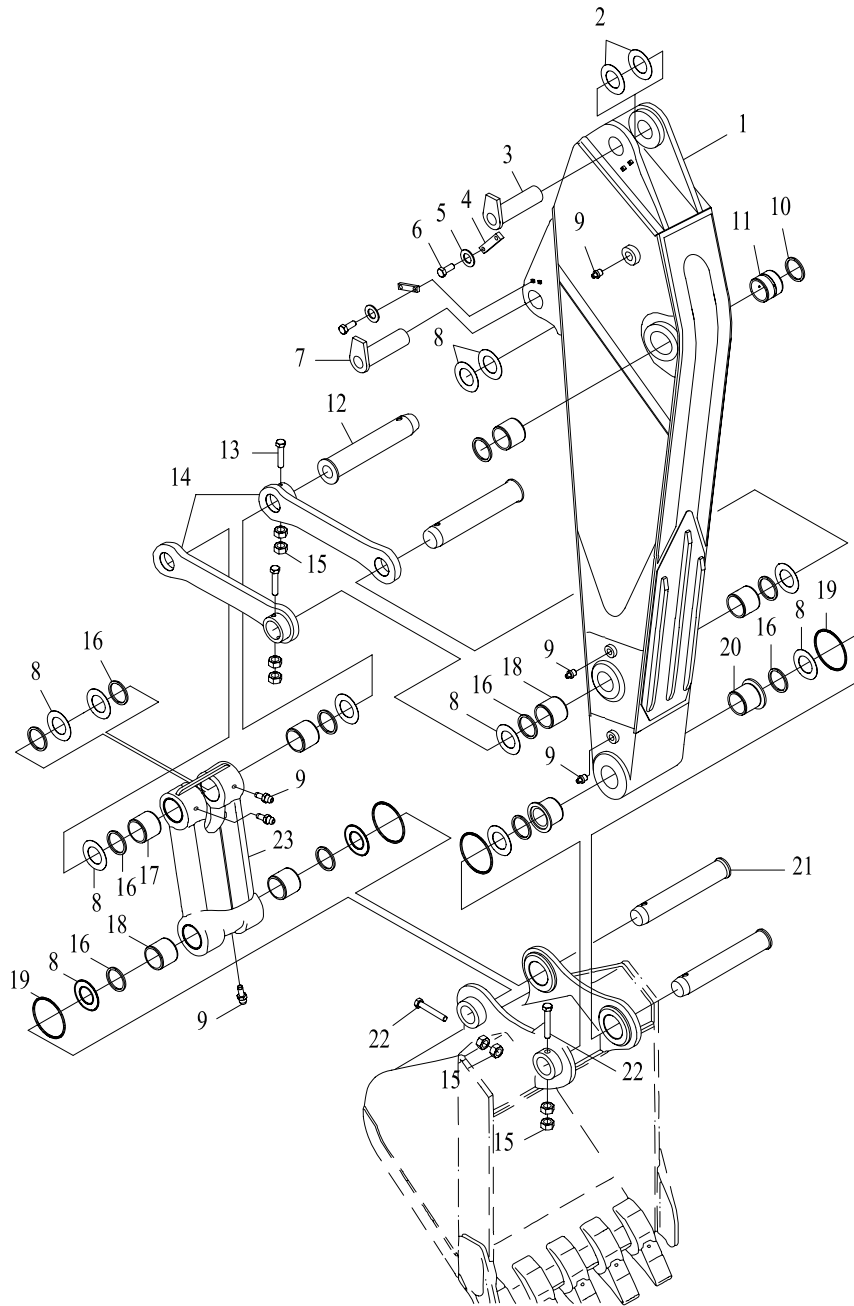


### 43 动臂总成 (加长臂)

#### BOOM ASS'Y(LENGTHENED TYPE)

序号 NO.	代号 CODE	零件名称	PART NAME	数量 QTY	代码 S. C	备注 NOTE
1	GB/T5783	螺栓 M16×35	BOLT M16×35	4		
2	GB/T97. 1	垫圈16	WASHER 16	4		
3	LG6360. 15-06	压板	PRESS PLATE	1		
4	LG6360. 15. 09	销轴总成	PIN ASS'Y	1		
5	LG6360. 12-04	调整垫圈	ADJUST SHIM	4组		4 GROUPS
6	LG6360. 15-08	调整垫圈	ADJUST SHIM	2组		2 GROUPS
7	LG6360. 15. 10	销轴总成	PIN ASS'Y	1		
8	LG6360. 15-07	压板	PRESS PLATE	1		
9	GB/T97. 1	垫圈12	WASHER 12	52		
10	GB/T5783	螺栓 M12×35	BOLT M12×35	52		
11	LG6360. 30	动臂油缸总成 (左)	BOOM CYLINDER ASS'Y L.H.	1		
12	LG6360. 12-06	调整垫圈	ADJUST SHIM	4组		4 GROUPS
13	LG6360. 12. 03	销轴总成	PIN ASS'Y	2		
14	LG6360. 12-05	压板	PRESS PLATE	2		
15	VAW11001	防尘圈Φ110×125×9	DUST SEAL Φ110×125×9	2		
16	LG6360. 15-12	钢套	STEEL SLEEVE	2		
17	LG6360. 12. 02	销轴总成	PIN ASS'Y	1		
18	LG6360. 12-03	压板	PRESS PLATE	1		
19	VAW11001	防尘圈110×125×8	DUST SEAL 110×125×8	2		
20	LG6360. 15-01	管夹板	PIPE CLAMP	4		
21	LG6360. 52. 02-01	管夹板	PIPE CLAMP	2		
22	LG6360. 29	动臂油缸总成 (右)	BOOM CYLINDER ASS'Y R.H.	1		
23	LG6360. 15-04	橡胶垫	RUBBER PAD	27		
24	LG6360. 15-03	管夹板	PIPE CLAMP	20		
25	GB/T5783	螺栓 M12×25	BOLT M12×25	4		
26	LG6230. 15-10	灯架	LAMP BRACKET	2		
27	LG6360. 52. 01	动臂总成	BOOM ASS'Y	1		
28	LG6360. 31	斗杆油缸总成	ARM CYLINDER ASS'Y	1		
29	LG6360. 15-05	管夹板	PIPE CLAMP	18		
30	LG6360. 15-02	管夹板	PIPE CLAMP	4		

# 44 斗杆总成 ARM ASS'Y

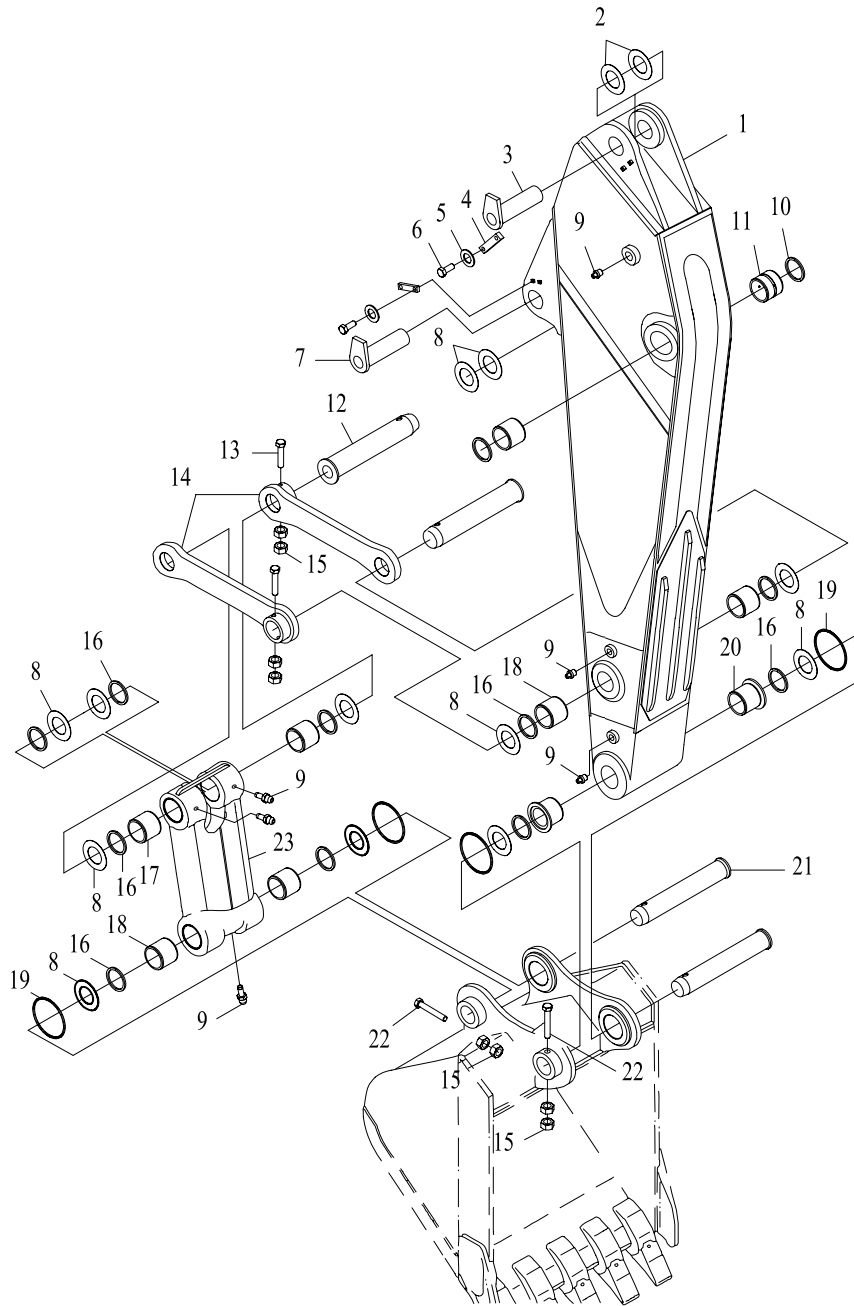


## 44 斗杆总成 ARM ASS'Y

序号 NO.	代号 CODE	零件名称	PART NAME	数量 QTY	代码 S. C	备注 NOTE
1	LG6360. 16. 01	斗杆总成	ARM ASS'Y	1	02034	
2	LG6360. 15-08	调整垫圈	ADJUST SHIM	2组		2 GROUPS
3	LG6360. 16. 02	销轴总成	PIN ASS'Y	1	11075	
4	LG6360. 15-07	压板	PRESS PLATE	2		
5	GB/T97. 1	垫圈	WASHER	4		
6	GB/T5783	螺栓 M12×35	BOLT M12×35	4		
7	LG6360. 16. 06	销轴总成	PIN ASS'Y	1	11075	
8	LG6360. 12-06	调整垫圈	ADJUST SHIM	12组		12 GROUPS
9	671004	油杯 PT1/8	GREASE FITTING PT1/8	6		
10	VAW11001	防尘圈 Φ110×125×9	DUST SEAL Φ110×125×9	2		
11	LG6360. 16-04	钢套	STEEL SLEEVE	2		
12	LG6360. 16. 03	摇臂轴总成	PIN ASS'Y, LINK	2	11075	
13	GB/T5782	螺栓 M24×200	BOLT M24×200	2		
14	LG6360. 16. 04	摇杆	LINK	2		
15	GB/T6170	螺母 M24	NUT M24	8		
16	VAW09001	防尘圈 Φ90×105×6	DUST SEAL Φ90×105×6	10		
17	LG6360. 16-03	钢套	STEEL SLEEVE	2		
18	LG6360. 16-01	钢套	STEEL SLEEVE	4		
19	GB/T3452. 1	O 形圈 Φ130×10	O-RING Φ130×10	4		
20	LG6360. 16-02	钢套	STEEL SLEEVE	2		
21	LG6360. 17. 02	销轴总成	PIN ASS'Y	2	11075	
22	GB/T5782	螺栓 M24×220	BOLT M24×220	2		
23	LG6360. 16. 05	连杆	LINK	1		

# 45 斗杆总成 (短臂)

## ARM ASS'Y (SHORTENED TYPE)



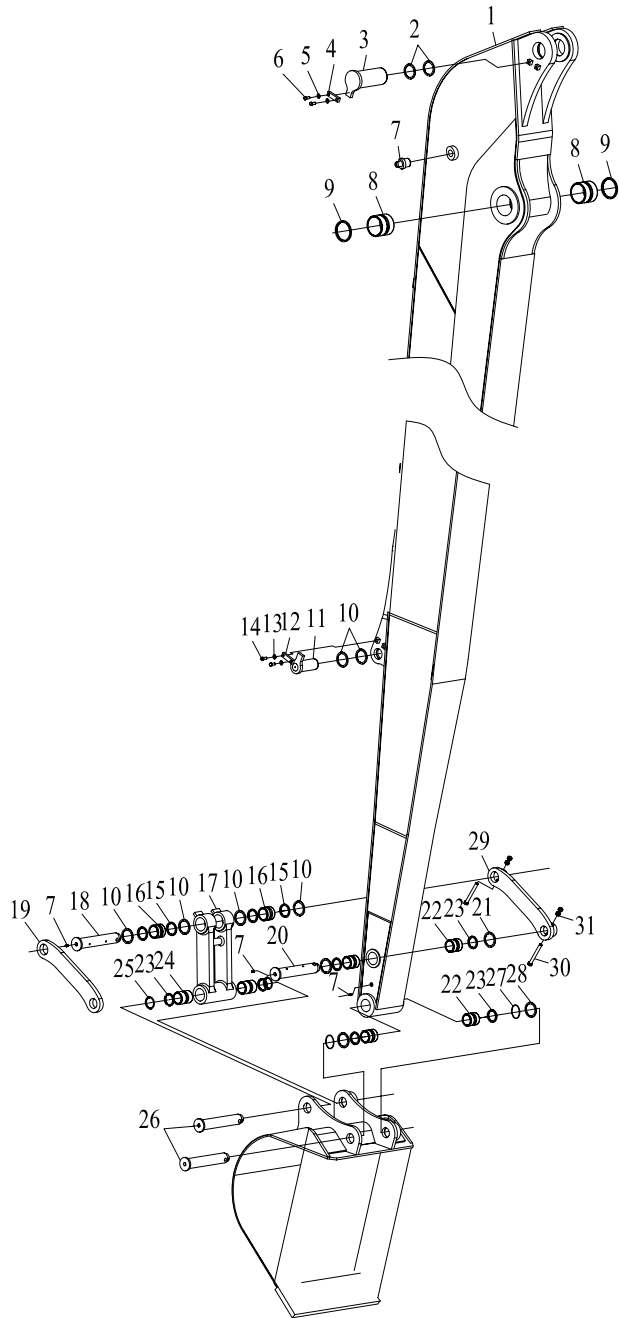
## 45 斗杆总成 (短臂)

## ARM ASS'Y(SHORTENED TYPE)

序号 NO.	代号 CODE	零件名称	PART NAME	数量 QTY	代码 S. C	备注 NOTE
1	LG6360. 61. 01	斗杆总成	ARM ASS'Y	1	02034	
2	LG6360. 15-08	调整垫圈	ADJUST SHIM	2组		2 GROUPS
3	LG6360. 16. 02	销轴总成	PIN ASS'Y	1	11075	
4	LG6360. 15-07	压板	PRESS PLATE	2		
5	GB/T97. 1	垫圈	WASHER	4		
6	GB/T5783	螺栓 M12×35	BOLT M12×35	4		
7	LG6360. 16. 06	销轴总成	PIN ASS'Y	1	11075	
8	LG6360. 12-06	调整垫圈	ADJUST SHIM	12组		12 GROUPS
9	671004	油杯 PT1/8	GREASE FITTING PT1/8	6		
10	VAW11001	防尘圈 Φ110×125×9	DUST SEAL Φ110×125×9	2		
11	LG6360. 16-04	钢套	STEEL SLEEVE	2		
12	LG6360. 16. 03	摇臂轴总成	PIN ASS'Y, LINK	2	11075	
13	GB/T5782	螺栓 M24×200	BOLT M24×200	2		
14	LG6360. 16. 04	摇杆	PIN	2		
15	GB/T6170	螺母 M24	NUT M24	8		
16	VAW09001	防尘圈 Φ90×105×6	DUST SEAL Φ90×105×6	10		
17	LG6360. 16-03	钢套	STEEL SLEEVE	2		
18	LG6360. 16-01	钢套	STEEL SLEEVE	4		
19	GB/T3452. 1	O形圈 Φ130×10	O-RING Φ130×10	4		
20	LG6360. 16-02	钢套	STEEL SLEEVE	2		
21	LG6360. 17. 02	销轴总成	PIN ASS'Y	2	11075	
22	GB/T5782	螺栓 M24×220	BOLT M24×220	2		
23	LG6360. 16. 05	连杆	LINK	1		

## 46 斗杆总成 (加长臂)

### ARM ASS'Y (LENGTHENED TYPE)

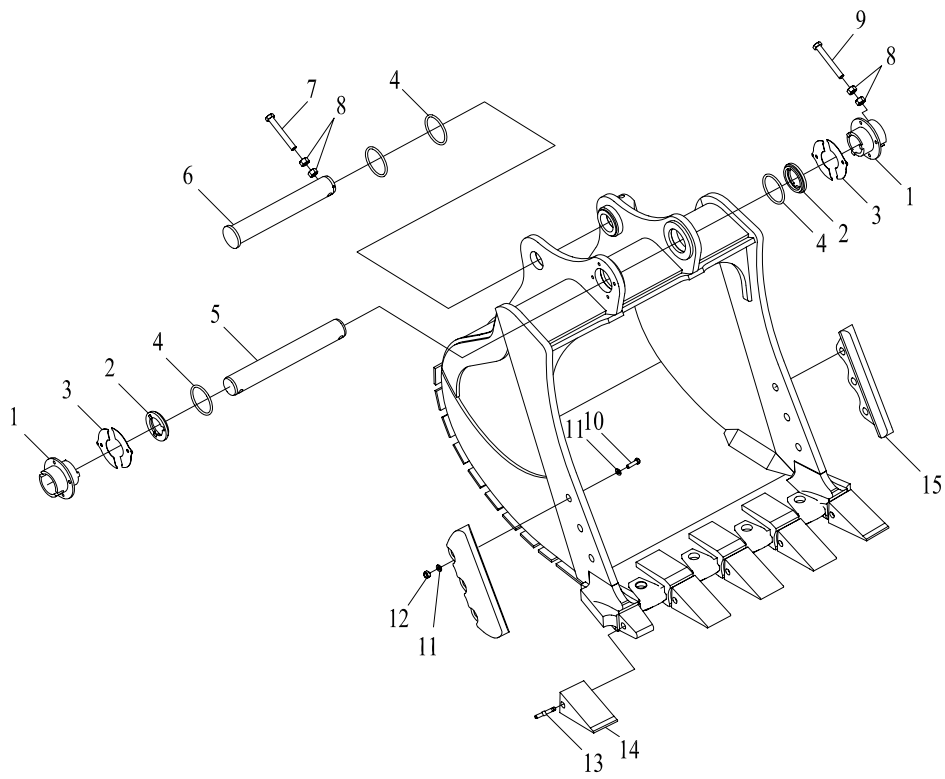


## 46 斗杆总成 (加长臂)

### ARM ASS'Y(LENGTHENED TYPE)

序号 NO.	代号 CODE	零件名称	PART NAME	数量 QTY	代码 S. C	备注 NOTE
1	LG6360. 62. 01	斗杆总成	ARM ASS'Y	1		
2	LG6360. 15-08	调整垫	ADJUST SHIM	2组		2 GROUPS
3	LG6360. 16. 02	销轴总成	PIN ASS'Y	1		
4	LG6360. 15-07	压板	PRESS PLATE	1		
5	GB/T97. 1	垫圈12	WASHER 12	2		
6	GB/T5783	螺栓 M12×35	BOLT M12×35	2		
7	PT1/8	油杯	GREASE FITTING	6		
8	LG6360. 16-04	钢套	STEEL SLEEVE	2		
9	VAW11001	防尘圈110×125×8	DUST SEAL 110×125×8	2		
10	LG6150. 16-07	调整垫	ADJUST SHIM	6组		6 GROUPS
11	LG6150. 16. 05	销轴总成1	PIN ASS'Y1	1		
12	LG6150. 15-01	卡板	LOCK PLATE	2		
13	GB/T93	垫圈12	WASHER 12	2		
14	GB/T5783	螺栓 M12×30	BOLT M12×30	2		
15	VAW06503	防尘圈65×80×6	DUST SEAL 65×80×6	4		
16	LG6235. 61-01	钢套	STEEL SLEEVE	2		
17	LG6235. 61. 05	连杆	LINK	1		
18	LG6235. 61. 04	销轴2	PIN 2	1		
19	LG6150. 16-01	左摇臂	LEFT LINK	1		
20	LG6235. 61. 03	销轴1	PIN 1	1		
21	CDM606. 15-09	垫圈	WASHER	2组		2 GROUPS
22	LG6150. 16-02	钢套1	STEEL SLEEVE1	4		
23	VAW06004	防尘圈60×75×6	DUST SEAL 60×75×6	6		
24	LG6150. 16-08	钢套2	STEEL SLEEVE 2	2		
25	CDM606. 15-09	垫圈	WASHER	2组		2 GROUPS
26	LG6150. 17-06	销轴	PIN	2		
27	GB/T3452. 1	O形圈115×7	O-RING 115×7	2		
28	LG6150. 17-07	调整垫	ADJUST SHIM	2组		2 GROUPS
29	LG6150. 16. 08	右摇臂	RIGHT LINK	1		
30	GB/T5782	螺栓 M16×120	BOLT M16×120	2		
31	GB/T6170	螺母 M16	NUT M16	4		

# 47 铲斗总成 BUCKET ASS'Y



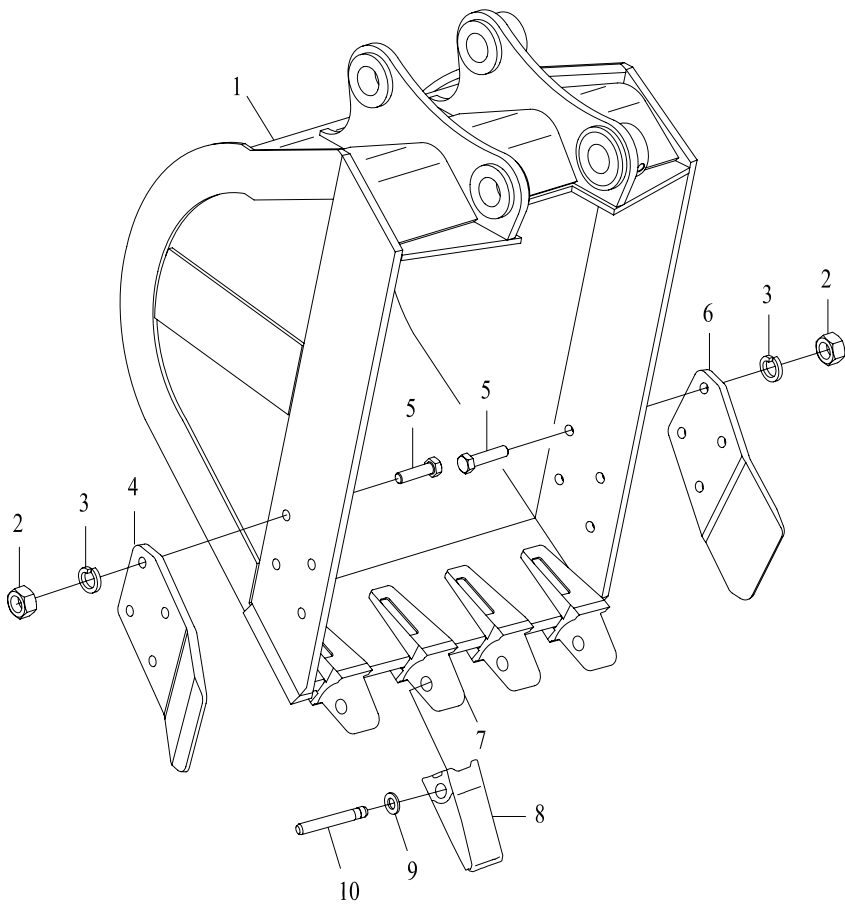


## 47 铲斗总成 BUCKET ASS'Y

序号 NO.	代号 CODE	零件名称	PART NAME	数量 QTY	代码 S. C	备注 NOTE
1	LG6360. 73A. 02	定位座	LOCATING BUSH	2		
2	LG6360. 73A-01	调整圈	REGULATING RING	2		
3	LG6360. 73A-02	调整垫片	ADJUST SHIM	12		
4	GB/T3452. 1	O 形圈130×10	O-RING 130×10	4		
5	LG6360. 73A-04	销轴	PIN	1		
6	LG6360. 17. 02	销轴总成	PIN ASS'Y	1		
7	GB/T5782	螺栓 M24×220	BOLT M24×220	1		
8	GB/T6170	螺母 M24	NUT M24	6		
9	GB/T5782	螺栓 M24×180	BOLT M24×180	2		
10	GB/T5783	螺栓 M30×100	BOLT M30×100	6		
11	GB/T1230	垫圈 30	WASHER 30	12		
12	GB/T6170	螺母 M30	NUT M30	6		
13	09244-03036	销扣	PIN	5		
14	208-70-14152	斗齿	BUCKET TOOTH	5		
15	209-70-54610	侧护板	SIDE CUTTER	2		

# 48 铲斗总成(加长臂)

## BUCKET ASS'Y(LNGTHENED TYPE)



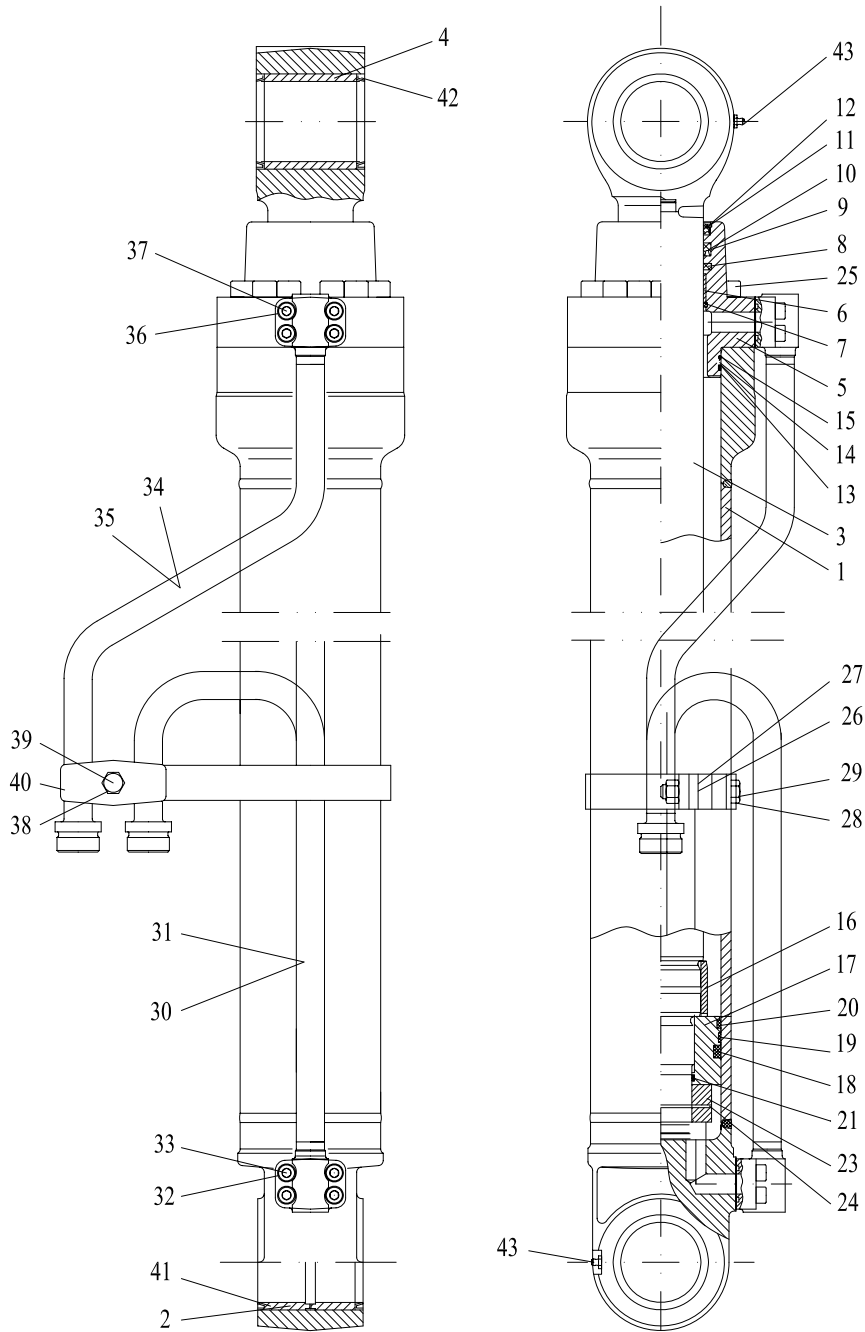
## 48 铲斗总成 (加长臂)

### BUCKET ASS'Y(LENGTHENED TYPE)

序号 NO.	代号 CODE	零件名称	PART NAME	数量 QTY	代码 S. C	备注 NOTE
1	LG6150. 17D. 01	铲斗	BODY, BUCKET	1		
2	GB/T6170	螺母 M24	NUT M24	8		
3	GB/T1230	垫圈24	WASHER 24	8		
4	LG6150. 17-01	左边齿	LEFT SIDE CUTTER	1		
5	GB/T5783	螺栓 M24×70	BOLT M8×25	8		
6	LG6150. 17-05	右边齿	RIGHT SIDE CUTTER	1		
7	LG6150. 17. 01-13	斗齿座	BUCKET TOOTH BRACKET	4		
8	LG6150. 17-02	斗齿	BUCKET TOOTH	4		
9	LG6150. 17-04	垫圈	WASHER	4		
10	LG6150. 17-03	销子	PIN	4		

# 49 动臂油缸

## BOOM CYLINDER

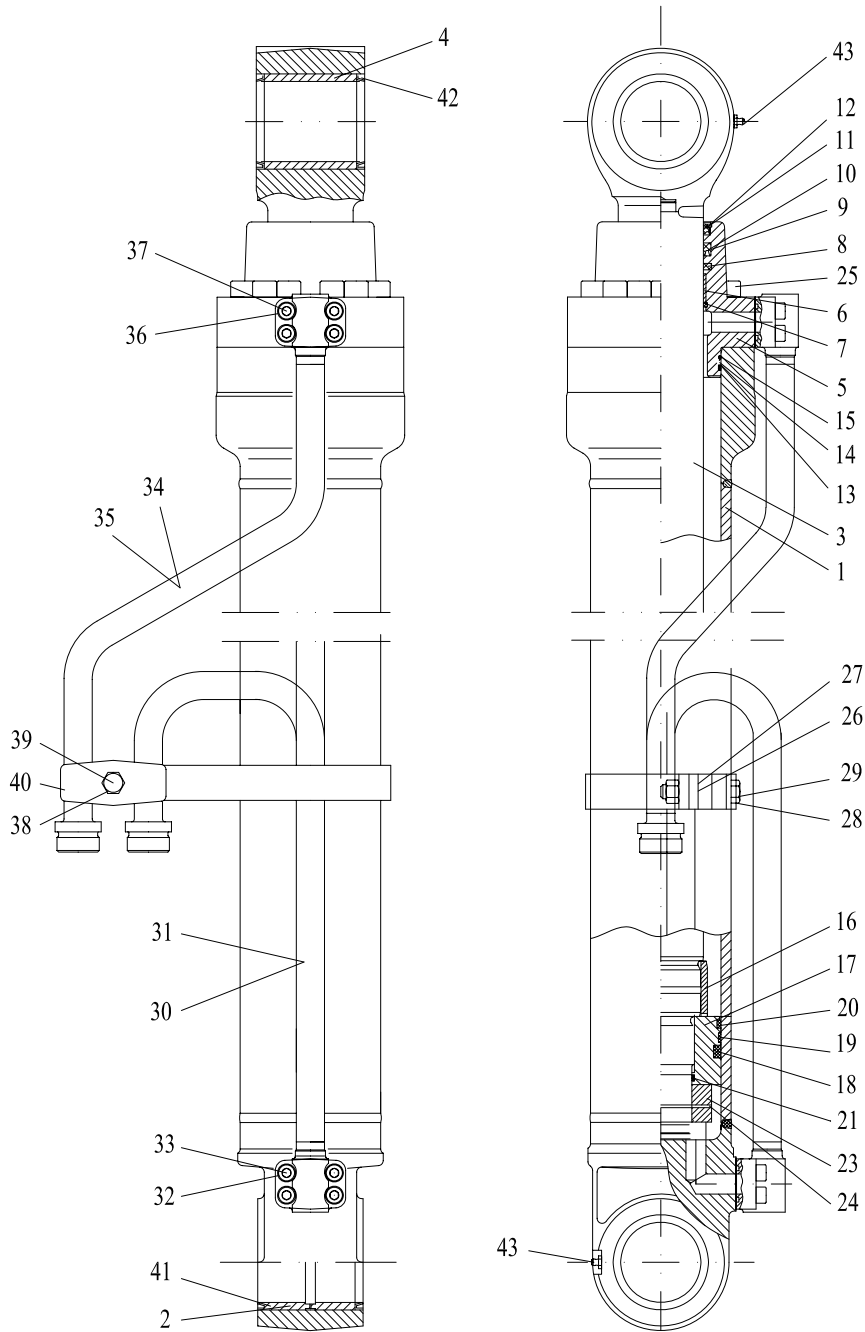


## 49 动臂油缸 BOOM CYLINDER

序号 NO.	代号 CODE	零件名称	PART NAME	数量 QTY	代码 S. C	备注 NOTE
1	H311619B1	缸筒	CYLINDER	1		
2	H71110000	衬套	BUSH	1	11. 03. 143	
3	H311213B1	活塞杆总成	PISTON ROD ASS'Y	1	11. 03. 123	
4	H71110100	衬套	BUSH	1	11. 03. 144	
5	83A223-A	前法兰	FRONT FLANGE	1		
6	E8415283	耐磨带	WEARING BELT	1		
7	00M315-0	挡圈	RETAINER RING	1		
8	E5500321	减震密封	SHOCK-ABSORBING SEAL	1		
9	E5320842	U形垫圈	U-WASHER	1		
10	E6671080	垫圈	WASHER	1		
11	E6020320	防尘圈	DUST SEAL	1		
12	00M498-0	挡圈	RETAINER RING	1		
13	E6311741	O形圈	O-RING	1		
14	53B316-1	挡圈	RETAINER RING	1		
15	E6490059	O形圈	O-RING	1		
16	00C369-1	衬套	BUSH	1		
17	53A611-1	活塞	PISTON	1		
18	E5130320	活塞密封	SEAL, PISTON	1		
19	00Z109-0	耐磨环	WEARING RING	2		
20	00R730-0	防尘圈	DUST SEAL	2		
21	E6311441	O形圈	O-RING	1		
22	53B441-1	挡圈	RETAINER RING	2		
23	53B432-0	活塞螺母	NUT, PISTON	1		
24	E1330544	定位螺钉	LOCATING SCREW	1		
25	E0502149	六角螺栓	HEX BOLT	16		
26	H311214B1	管夹组件	PIPE CLAMP COMPONENT	1		
27	00P374-1	管夹	PIPE CLAMP	1		
28	E3110112	弹簧垫圈	SPRING WASHER	2		
29	E0020973	六角螺栓	HEX BOLT	2		
30	H311621C1	管组件	PIPE COMPONENT	1		
31	E6300761	O形圈	O-RING	1		
32	E3110112	弹簧垫圈	SPRING WASHER	4		
33	E0501559	六角螺栓	HEX BOLT	4		
34	HJ3116220	左动臂油缸有杆腔管组件	BOOM CYLINDER BIG	1		

# 49 动臂油缸

## BOOM CYLINDER

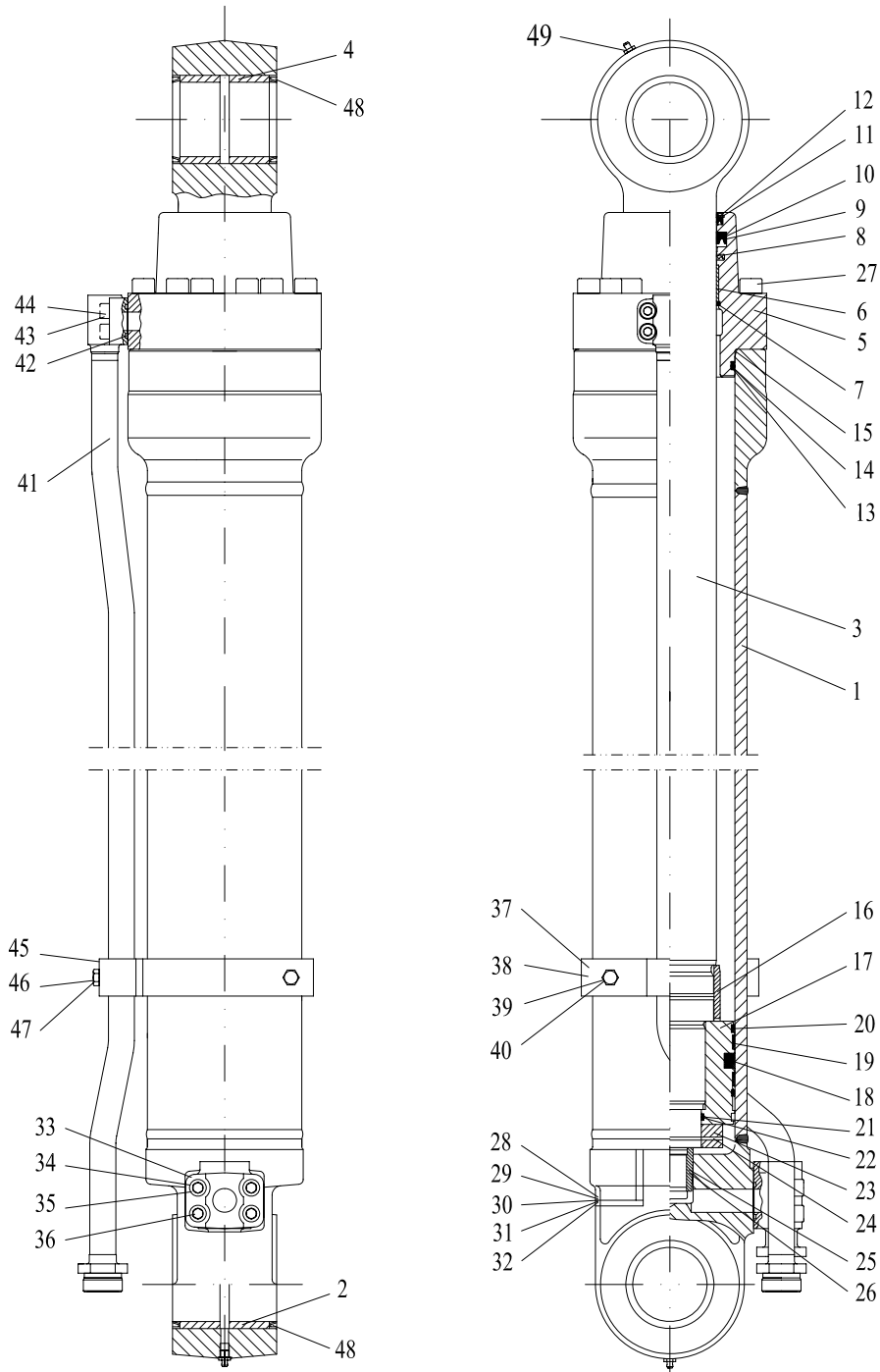


**49 动臂油缸**  
**BOOM CYLINDER**

序号 NO.	代号 CODE	零件名称	PART NAME	数量 QTY	代码 S. C	备注 NOTE
			CHAMBER PIPE ASS'Y, L.H.			
35	E6300761	O 形圈	O-RING	1		
36	E3110112	弹簧垫圈	SPRING WASHER	4		
37	E0501559	六角螺栓	HEX BOLT	4		
38	E3110132	弹簧垫圈	SPRING WASHER	1		
39	E0021533	六角螺栓	HEX BOLT	1		
40	53A770-1	管夹	PIPE CLAMP	1		
41	E6150820	销	PIN	2		
42	E6150860	销	PIN	2		
43	E8841032	注油嘴	GREASE FITTING	2		

# 50 斗杆油缸

## ARM CYLINDER



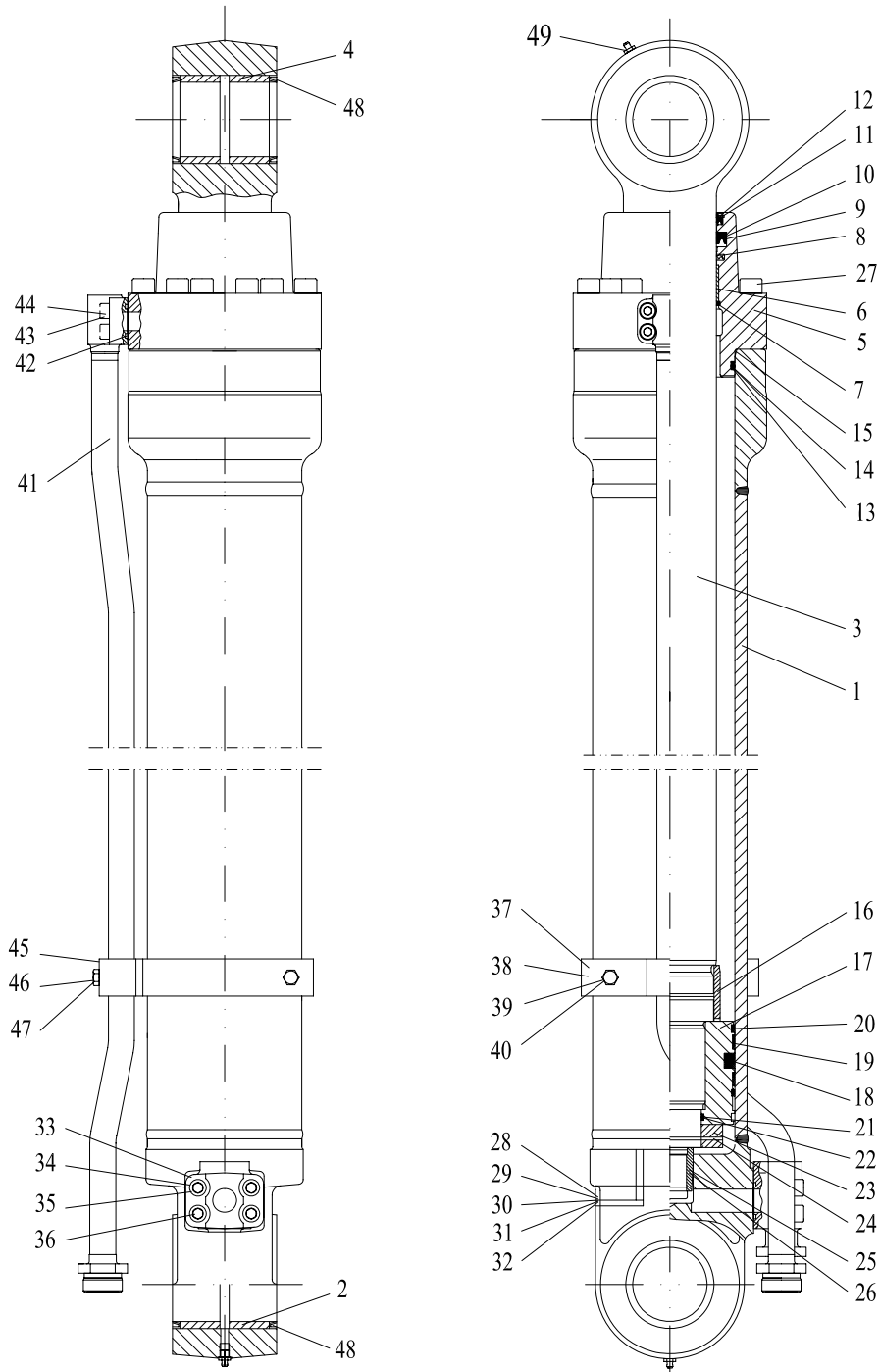


## 50 斗杆油缸 ARM CYLINDER

序号 NO.	代号 CODE	零件名称	PART NAME	数量 QTY	代码 S. C	备注 NOTE
1	H311205A1	缸筒	CYLINDER	1		
2	H71053900	衬套	BUSH	1	11. 03. 145	
3	H311617A1	活塞杆总成	PISTON ROD ASS'Y	1		
4	H71053900	衬套	BUSH	1		
5	H410159A1	前法兰	FRONT FLANGE	1		
6	E8415227	耐磨带	WEARING BELT	1		
7	00M574-0	挡圈	RETAINER RING	1		
8	E5500351	减震密封	SHOCK-ABSORBING SEAL	1		
9	E5320922	U形垫圈	U-WASHER	1		
10	E6671120	挡圈	RETAINER RING	1		
11	E6020350	除尘器	DUST-COLLECTING	1		
12	00M799-0	挡圈	RETAINER RING	1		
13	E6311801	O形圈	O-RING	1		
14	53U433-1	挡圈	RETAINER RING	1		
15	E6490090	O形圈	O-RING	1		
16	00C374-0	衬套	BUSH	1		
17	53U422-1	活塞	PISTON	1		
18	E5130360	活塞密封	SEAL, PISTON	1		
19	00Z118-1	耐磨环	WEARING RING	2		
20	00R104-0	防尘圈	DUST SEAL	2		
21	E6311461	O形圈	O-RING	1		
22	53A358-1	挡圈	RETAINER RING	2		
23	81A537-0	活塞螺母	NUT, PISTON	1		
24	E1330544	定位螺钉	LOCATING SCREW	1		
25	H71055600	柱塞	PLUNGER	1		
26	82A317-1	定位环	LOCATING RING	1		
27	E0502439	六角螺栓	HEX BOLT	16		
28	04A438-0	单向阀	CHECK VALVE	1		
29	03A729-0	弹簧	SPRING	1		
30	03A728-0	后法兰	REAR FLANGE	1		
31	E6300401	O形圈	O-RING	1		
32	82A224-0	堵	PLUG	1		
33	H710825B1	法兰	BALL VALVE	1		
34	E6300881	O形圈	O-RING	1		
35	E3110112	弹簧垫圈	SPRING WASHER	4		
36	E0501606	六角螺栓	HEX BOLT	4		

# 50 斗杆油缸

## ARM CYLINDER

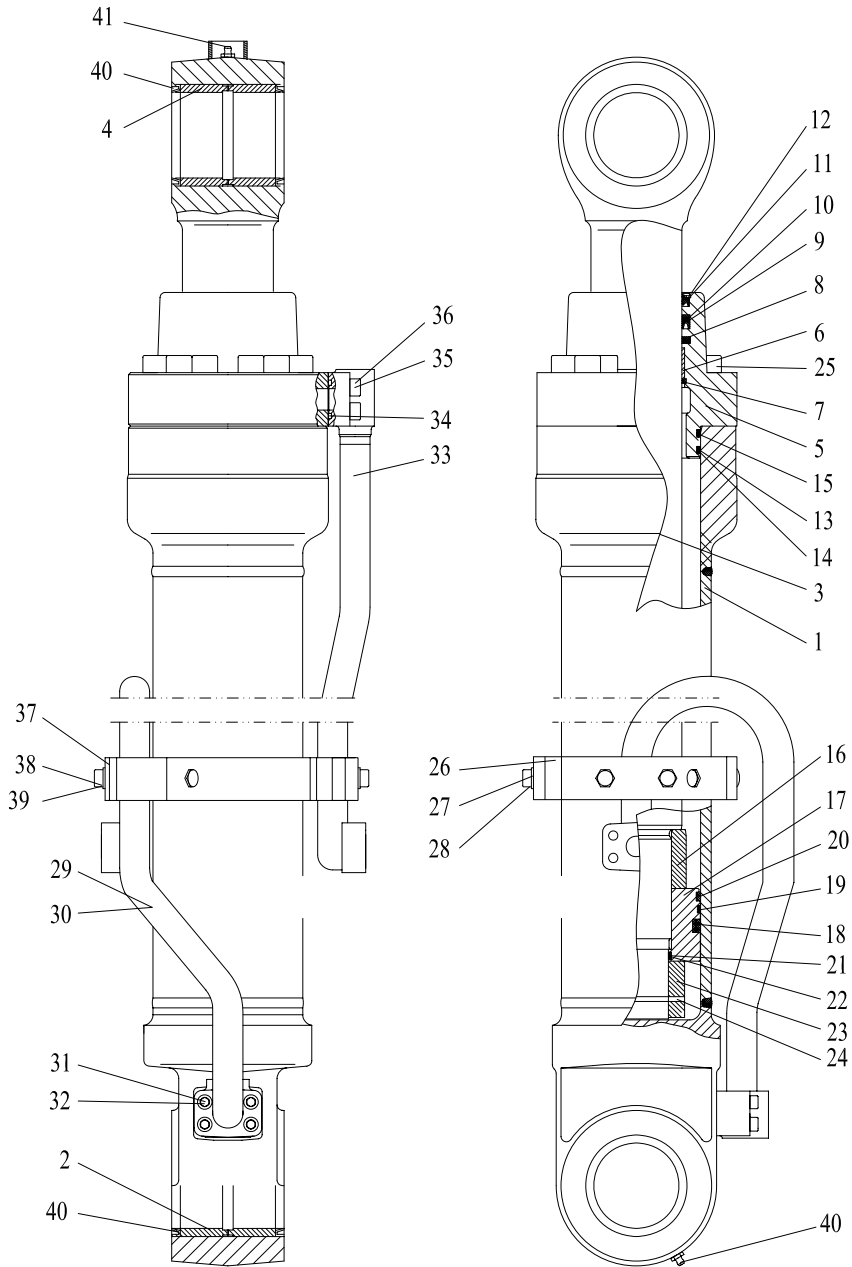


**50 斗杆油缸**  
**ARM CYLINDER**

序号 NO.	代号 CODE	零件名称	PART NAME	数量 QTY	代码 S. C	备注 NOTE
37	H311208A1	管夹组件	PIPE CLAMP COMPONENTS	1		
38	00P378-1	管夹	PIPE CLAMP	1		
39	E3110112	弹簧垫圈	SPRING WASHER	2		
40	E0020973	六角螺栓	HEX BOLT	2		
41	H311209A1	钢管	STEEL PIPE	1		
42	E6300761	O 形圈	O-RING	1		
43	E3110123	弹簧垫圈	SPRING WASHER	4		
44	E0501846	六角螺栓	HEX BOLT	4		
45	53A770-1	管夹	PIPE CLAMP	1		
46	E3110132	弹簧垫圈	SPRING WASHER	1		
47	E0021613	六角螺栓	HEX BOLT	1		
48	E6150860	销	PIN	4		
49	E8841032	注油嘴	GREASE FITTING	2		

# 51 铲斗油缸

## BUCKET CYLINDER



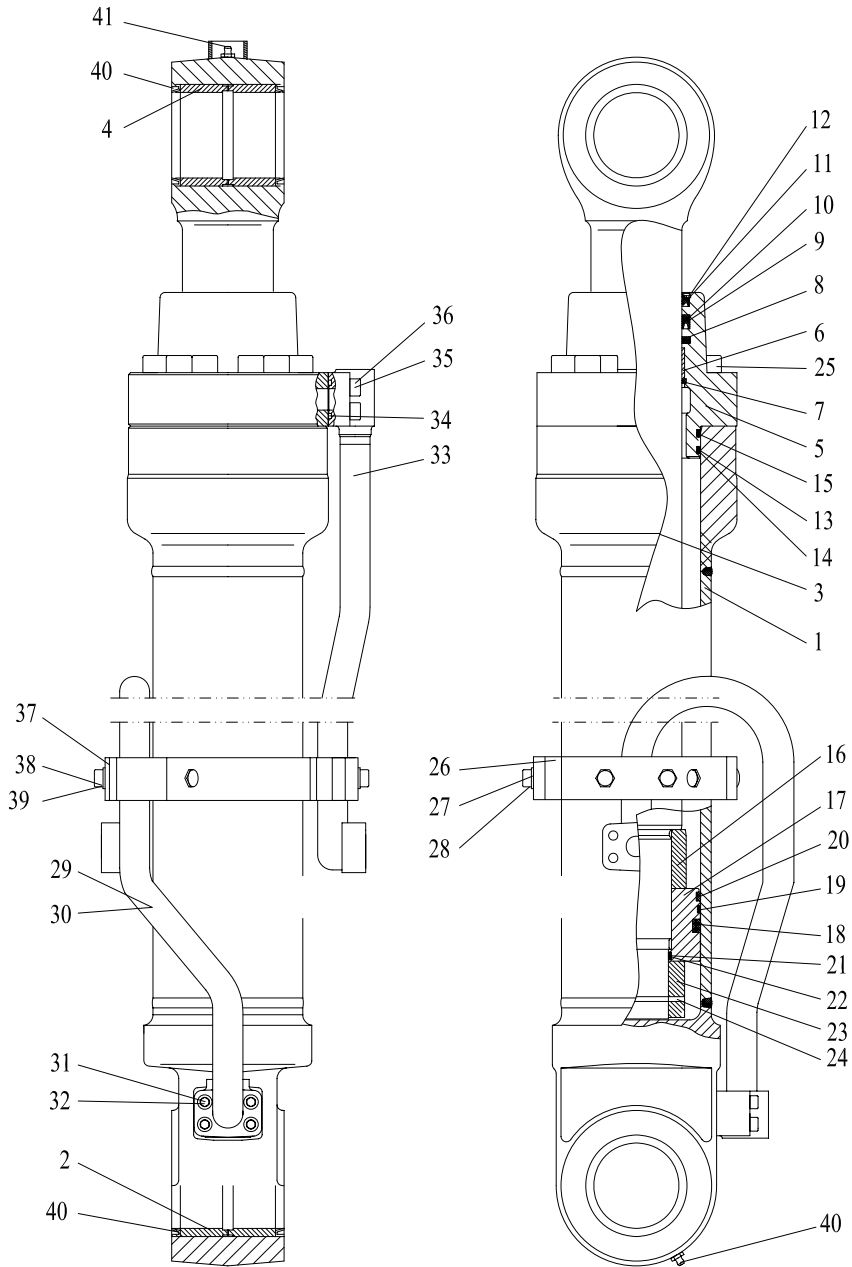
## 51 铲斗油缸

## BUCKET CYLINDER

序号 NO.	代号 CODE	零件名称	PART NAME	数量 QTY	代码 S. C	备注 NOTE
1	H311626B1	缸筒	CYLINDER	1		
2	00B170-0	衬套	BUSH	1	11. 03. 146	
3	H311627B1	活塞杆	PISTON ROD	1	11. 03. 124	
4	00B170-0	衬套	BUSH	1		
5	83A223-A	前法兰	FRONT FLANGE	1		
6	E8415283	耐磨带	WEARING BELT	1		
7	00M315-0	挡圈	RETAINER RING	1		
8	E5500321	减震密封	SHOCK-ABSORBING SEAL	1		
9	E5320842	U形圈	U-WASHER	1		
10	E6671080	挡圈	RETAINER RING	1		
11	E6020320	防尘圈	DUST SEAL	1		
12	00M498-0	挡圈	RETAINER RING	1		
13	E6311741	O形圈	O-RING	1		
14	53B316-1	挡圈	RETAINER RING	1		
15	E6490059	O形圈	O-RING	1		
16	00C371-0	衬套	BUSH	1		
17	53A611-1	活塞	PISTON	1		
18	E5130320	活塞密封	SEAL, PISTON	1		
19	00Z109-0	耐磨环	WEARING RING	2		
20	00R730-0	防尘圈	DUST SEAL	2		
21	E6311441	O形圈	O-RING	1		
22	53B441-1	挡圈	RETAINER RING	2		
23	53B432-0	活塞螺母	NUT, PISTON	1		
24	E1330544	定位螺钉	LOCATING SCREW	1		
25	E0502149	六角螺栓	HEX BOLT	16		
26	H311225A1	管夹组件	PIPE CLAMP COMPONENT	2		
27	E3110112	弹簧垫圈	SPRING WASHER	2		
28	E0020973	六角螺栓	HEX BOLT	2		
29	H311223B1	钢管	STEEL PIPE	1		
30	E6300761	O形圈	O-RING	1		
31	E3110112	弹簧垫圈	SPRING WASHER	4		
32	E0501559	六角螺栓	HEX BOLT	4		
33	H311224B1	管组件	PIPE COMPONENTS	1		
34	E6300761	O形圈	O-RING	1		
35	E3110112	弹簧垫圈	SPRING WASHER	4		

# 51 铲斗油缸

## BUCKET CYLINDER

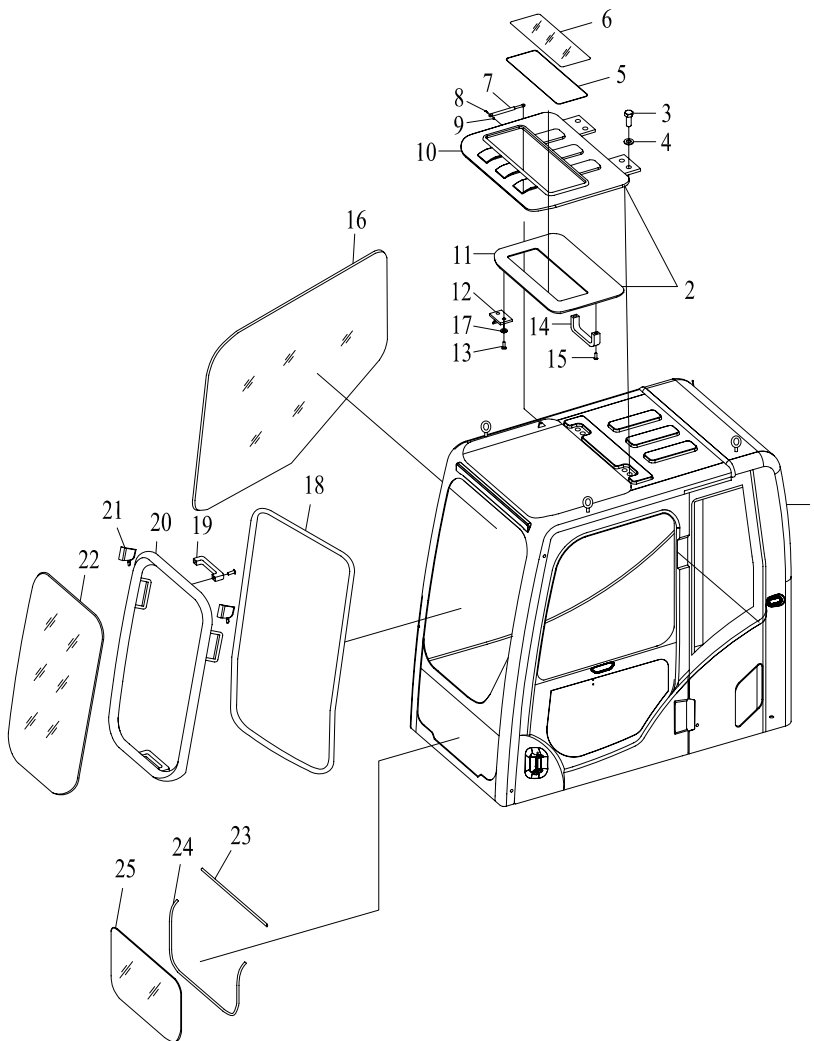


**51 铲斗油缸**  
**BUCKET CYLINDER**

序号 NO.	代号 CODE	零件名称	PART NAME	数量 QTY	代码 S. C	备注 NOTE
36	E0501559	六角螺栓	HEX BOLT	4		
37	E3A770-1	管夹	PIPE CLAMP	2		
38	E3110132	弹簧垫圈	SPRING WASHER	2		
39	E0021593	六角螺栓	HEX BOLT	2		
40	E6150820	销	PIN	4		
41	E8841032	注油嘴	GREASE FITTING	2		

## 52 驾驶室 I

### OPERATOR'S CAB I

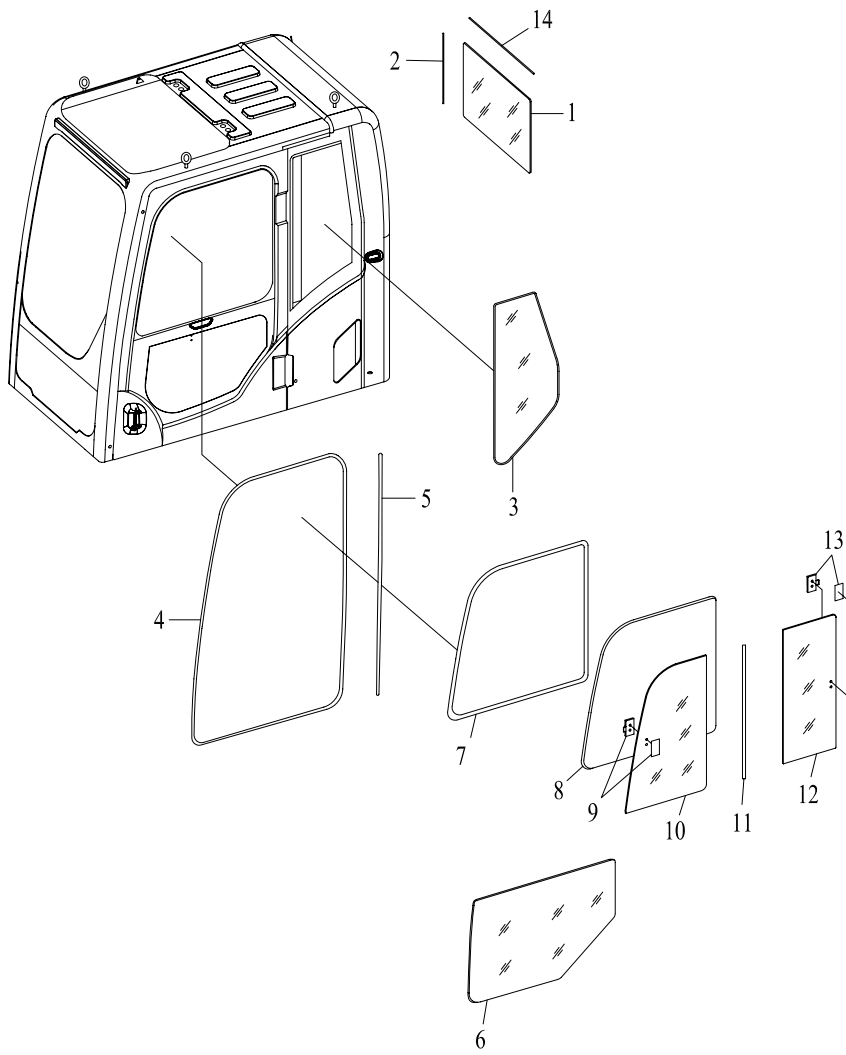




## 52 驾驶室 I OPERATOR'S CAB I

序号 NO.	代号 CODE	零件名称	PART NAME	数量 QTY	代码 S. C	备注 NOTE
1	YZ-ZWJSS-047A	驾驶室本体	BODY, CABIN	1		
2	YZLG21T-00002	天窗	TOP WINDOW	1		
3	GB/T5783	螺栓 M10×20	BOLT M10×20	4		
4	GB/T97. 1	垫圈10	WASHER 10	4		
5	YZ-ZWJSS-002	天窗密封条	SEAL, TOP WINDOW	1		
6	YZ-ZWJSS-001	天窗玻璃	GLASS, TOP WINDOW	1		
7	YZ-ZWJSS-003	气弹簧	GAS SPRING	2		
8	YZ-ZWJSS-004	销	PIN	4		
9	GB/T91	开口销2×14	COTTER PIN 2×14	4		
10	YZ-ZWJSS-005	天窗框架	SASH, TOP WINDOW	1		
11	YZLG21T-00027	顶窗内饰	DECORATIVE PLATE	1		
12	YZ-ZWJSS-006	天窗锁扣	LOCK, TOP WINDOW	1		
13	GB/T70. 2	内六角螺栓 M8×16	HEXAGON BOLT M8×16	2		
14	YZ-ZWJSS-007	天窗把手	HANDLE, TOP WINDOW	1		
15	GB/T70. 2	螺栓 M6×12	BOLT M6×12	6		
16	YZ-ZWJSS-028	右侧玻璃	RIGHT SIDE GLASS	1		
17	GB/T97. 1	垫圈8	WASHER 8	2		
18	YZ-ZWJSS-030	密封条	STRIP	1		
19	YZ-ZWJSS-031	推拉窗把手	CATCH, FRONT WINDOW	2		
20	YZ-ZWJSS-032	推拉窗框架	FRAME, FRONT WINDOW	1		
21	YZ-ZWJSS-052	移窗左右锁	LOCK, FRONT WINDOW	2		
22	YZ-ZWJSS-033	推拉窗玻璃	GLASS, FRONT WINDOW	1		
23	YZ-ZWJSS-053	上下挡连接条	SEAL	1		
24	YZ-ZWJSS-035	密封条	SEAL	1		
25	YZ-ZWJSS-034	前下方玻璃	LOWER GLASS, FRONT WINDOW	1		

# 53 驾驶室 II OPERATOR'S CAB II

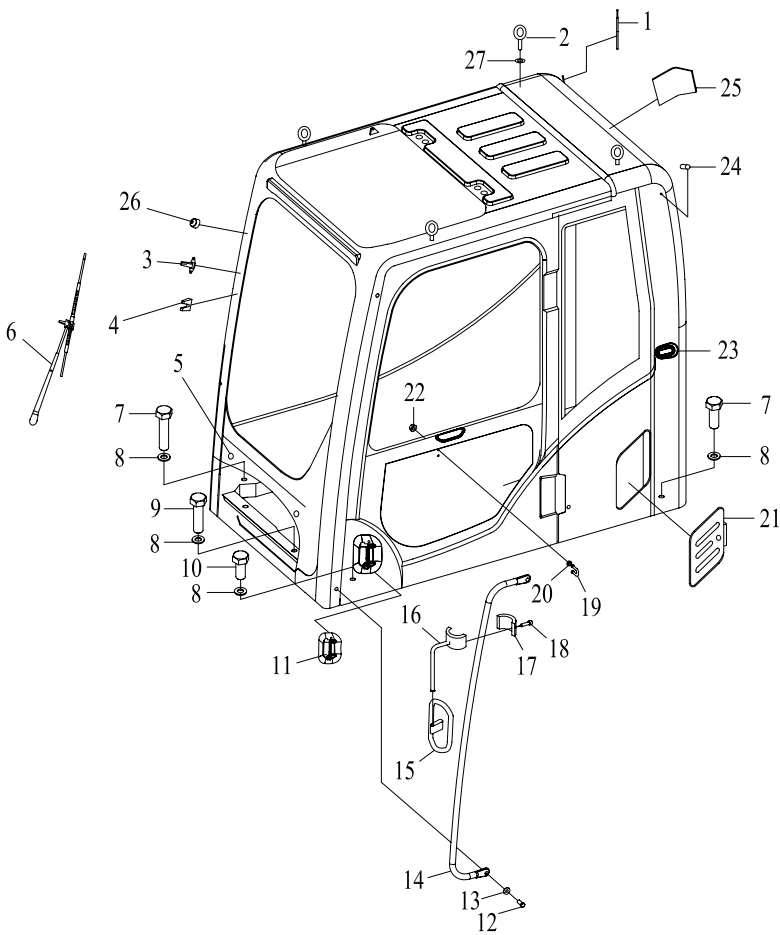


## 53 驾驶室 II

## OPERATOR'S CAB II

序号 NO.	代号 CODE	零件名称	PART NAME	数量 QTY	代码 S. C	备注 NOTE
1	YZ-ZWJSS-055	后挡风玻璃	BACK WINDSCREEN	1		
2	YZ-ZWJSS-046	型材 L 槽	TRIM	2		
3	YZ-ZWJSS-045	左后侧玻璃	LEFT SIDE GLASS, REAR	1		
4	YZ-ZWJSS-054	车门密封条	SEAL, DOOR	1		
5	YZ-ZWJSS-037	门立柱边型材	TRIM, DOOR	1		
6	YZ-ZWJSS-038	门下方玻璃	LOWER GLASS, DOOR	1		
7	YZ-ZWJSS-039	门上玻璃框架	SASH, DOOR UPPER	1		
8	YZ-ZWJSS-040	密封条	SEAL	1		
9	YZ-ZWJSS-041	前锁扣总成	LOCK ASS'Y, FRONT	1		
10	YZ-ZWJSS-042	门上方前玻璃	FRONT GLASS, DOOR UPPER	1		
11	YZ-ZWJSS-069	中间密封	SEAL	1		
12	YZ-ZWJSS-043	门上后玻璃	BACK GLASS, DOOR UPPER	1		
13	YZ-ZWJSS-044	后锁扣总成	LOCK ASS'Y, BACK	1		
14	YZ-ZWJSS-029	型材 L 槽	TRIM	2		

# 54 驾驶室 III OPERATOR'S CAB III

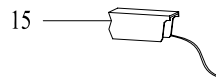
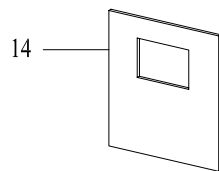
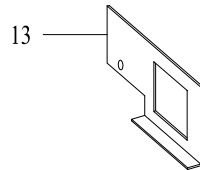
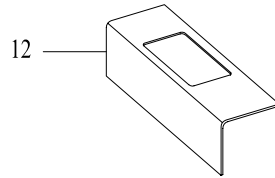
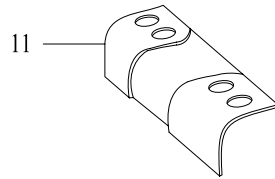
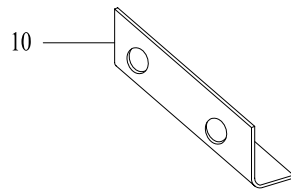
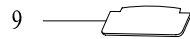
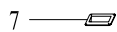
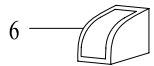
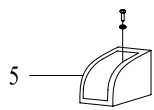
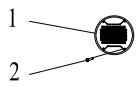
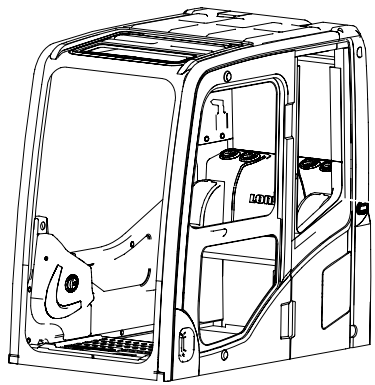


## 54 驾驶室 III

## OPERATOR'S CAB III

序号 NO.	代号 CODE	零件名称	PART NAME	数量 QTY	代码 S. C	备注 NOTE
1	YZ-ZWJSS-048	收音机天线总成	RADIO ANTENNA ASS'Y	1		
2	YZ-ZWJSS-008	吊环	LIFTING RING	4		
3	YZ-ZWJSS-056	喷嘴	NOZZLE	1		
4	YZ-ZWJSS-057	限位块	SPACER	1		
5	YZ-ZWJSS-058	下挡提手	HANDLE, LOWER	2		
			WINDSCREEN			
6	YZ-ZWJSS-059	刮片总成	WIPER ASS'Y	1		
7	GB/T5783	螺栓 M16×60	BOLT M16×60	2		
8	GB/T97. 1	垫圈16	WASHER 16	7		
9	GB/T5783	螺栓 M16×70	BOLT M16×70	2		
10	GB/T5783	螺栓 M16×40	BOLT M16×40	3		
11	YZ-ZWJSS-036	门锁总成	LOCK ASS'Y, DOOR	1		
12	GB/T5783	螺栓 M12×30	BOLT M12×30	2		
13	GB/T97. 1	垫圈12	WASHER 12	2		
14	YZ-ZWJSS-009	外上车扶手	OUTER HANDRAIL	1		
15	YZ-ZWJSS-011	后视镜	BACK MIRROR	1		
16	YZ-ZWJSS-012	后视镜支架 (前)	BACK MIRROR SUPPORT, (FRONT)	1		
17	YZ-ZWJSS-013	后视镜支架 (后)	BACK MIRROR SUPPORT, (REAR)	1		
18	GB/T70. 1	螺栓 M8×20	BOLT M8×20	1		
19	YZ-ZWJSS-014	碰锁扣	LOCK CATCH	1		
20	YZ-ZWJSS-015	橡胶垫	RUBBER PAD	2		
21	YZ-ZWJSS-016	外进气门总成	OUTER AIR INTAKE ASS'Y	1		
22	GB/T6170	螺母 M10	NUT M10	2		
23	YZ-ZWJSS-061	反锁	LOCK	1		
24	YZ-ZWJSS-062	反锁碰球	RUBBER STOPPER, LOCK	1		
25	YZ-ZWJSS-049	GPS 天线盖	GPS ANTENNA COVER	1		
26	YZ-ZWJSS-073	橡胶堵头 M12	RUBBER PLUG M12	6		
27	YZ-ZWJSS-074	橡皮垫12	RUBBER PAD 12	4		

# 55 驾驶室 IV OPERATOR'S CAB IV

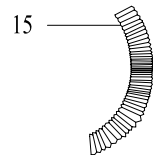
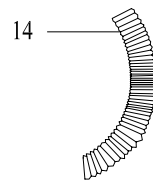
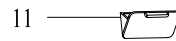
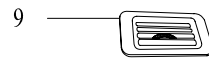
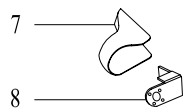
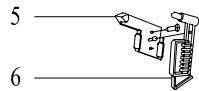
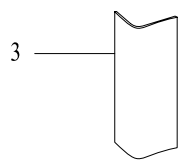
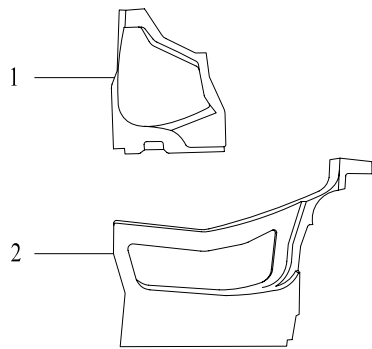
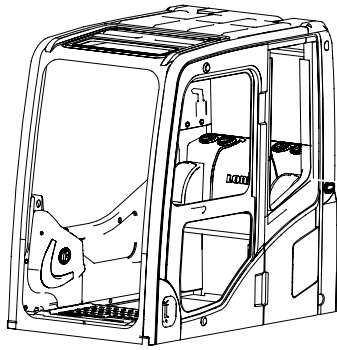


## 55 驾驶室 IV

## OPERATOR'S CAB IV

序号 NO.	代号 CODE	零件名称	PART NAME	数量 QTY	代码 S. C	备注 NOTE
1	YZ-ZWJSS-023	喇叭罩	HORN COVER	1		
2	GB/T15856.3	螺钉 M4×15	SCREW M4×15	8		
3	YZ-ZWJSS-063	移窗碰球	RUBBER STOPPER, FRONT WINDOW	2		
4	YZLG21T-00013	圆出风口	AIR OUTLET	5		
5	YZLG21T-00009	左杂物盒	STORAGE BOX (LEFT)	1		
6	YZLG21T-00008	右杂物盒	STORAGE BOX (RIGHT)	1		
7	YZ-ZWJSS-064	检修盖提扣	HANDLE, INSPECTION	1		
8	YZ-ZWJSS-078	检修板	PLATE, INSPECTION	1		
9	YZLG21T-00010	副驾驶坐垫	MATTRESS, COPILOT	1		
10	YZLG21T-00003	后顶棚	CEILING, BACK	1		
11	YZ-ZWJSS-050	空调罩板	COVER, AIR CONDITIONER	1		
12	YZLG21T-00006	空调罩	PANEL COVER, AIR CONDITIONER	1		
13	YZ-ZWJSS-051	空调下挡板	COVER PLATE, AIR CONDITIONER	1		
14	YZ-ZWJSS-070	隔热材料	THERMAL-PROTECTIVE MATERIAL	1		
15	YZ-ZWJSS-075	移窗平衡器	BALANCER, FRONT WINDOW	2		

# 56 驾驶室 V OPERATOR'S CAB V



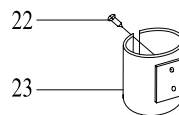
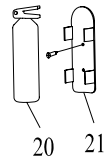
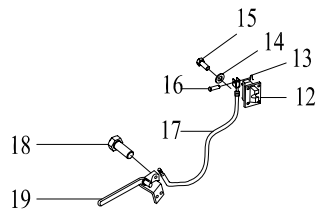
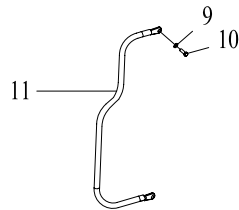
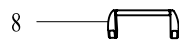
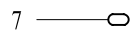
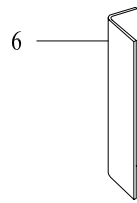
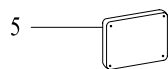
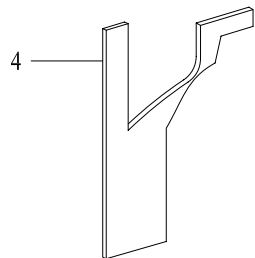
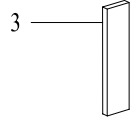
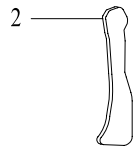
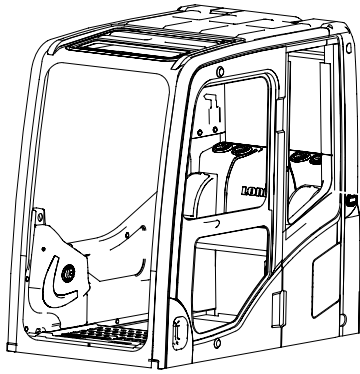


## 56 驾驶室 V

## OPERATOR'S CAB V

序号 NO.	代号 CODE	零件名称	PART NAME	数量 QTY	代码 S. C	备注 NOTE
1	YZLG21T-00004	前控箱	DECORATIVE PLATE, MONITOR	1		
2	YZLG21T-00005	右侧围	DECORATIVE PLATE, RIGHT SIDE	1		
3	YZLG21T-00026	右后立柱内饰	DECORATIVE PLATE, RIGHT REAR POST	1		
4	YZ-ZWJSS-022	衣帽钩	HAT & COAT HOOK	1		
5	YZ-ZWJSS-019	逃生锤座	ESCAPE HAMMER HOLDER	1		
6	YZ-ZWJSS-018	逃生锤	ESCAPE HAMMER	1		
7	YZLG21T-00016	显示器罩	COVER, MONITOR	1		
8	YZLG21T-00019	外置仪表支架	BRACKET, MONITOR	1		
9	YZLG21T-00014	方出风口	AIR OUTLET	1		
10	YZLG21T-00022	前控箱杂物盒	STORAGE BOX	1		
11	YZLG21T-00021	烟灰盒	ASH TRAY	1		
12	YZLG21T-00020	内饰扣帽	CAP	22		
13	YZ-ZWJSS-071	扣钉芯	PINTLE	22		
14	YZLG21T-00012	波纹管	BELLOWS	1		
15	YZLG21T-00011	波纹管	BELLOWS	1		
16	YZLG21T-00015	空调罩风道	AIR DUCT COVER			

# 57 驾驶室 VI OPERATOR'S CAB VI

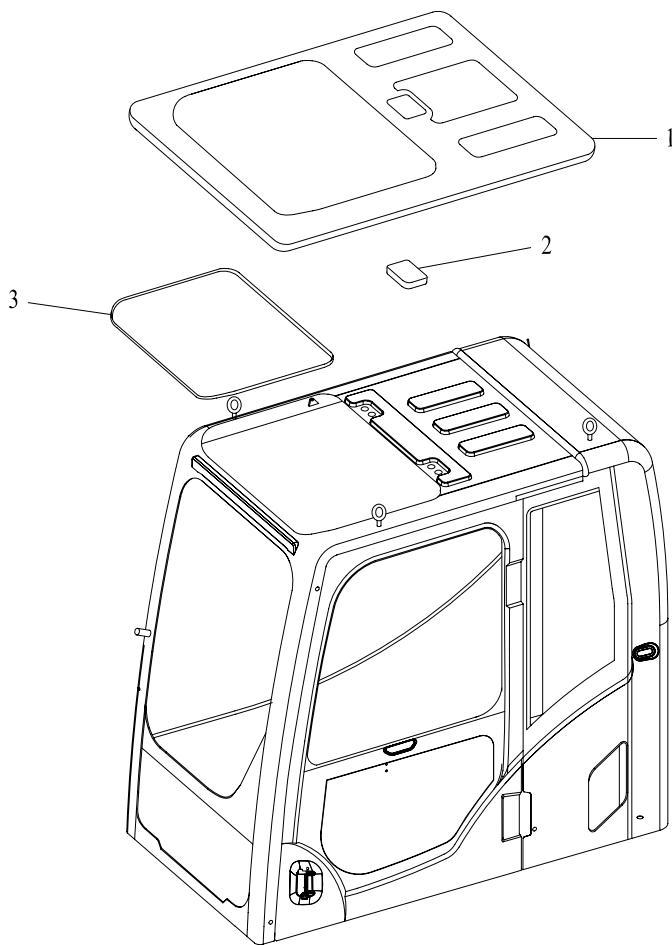


## 57 驾驶室 VI

## OPERATOR'S CAB VI

序号 NO.	代号 CODE	零件名称	PART NAME	数量 QTY	代码 S. C	备注 NOTE
1	YZ-ZWJSS-060	门内踏板	FLOOR SHEET	1		
2	YZ-ZWJSS-068	门锁盖板	COVER PLATE, DOOR LOCK	1		
3	YZLG21T-00024	左侧上围	DECORATIVE PLATE, LEFT SIDE (UPPER)	1		
4	YZLG21T-00007	左侧围	DECORATIVE PLATE, LEFT SIDE	1		
5	YZ-ZWJSS-067	后锁压杆盖板	COVER PLATE	1		
6	YZLG21T-00023	左后立柱内饰	DECORATIVE PLATE, LEFT REAR POST	1		
7	YZ-ZWJSS-066	后锁环堵头	PLUG	1		
8	YZ-ZWJSS-065	门把手	HANDLE, DOOR	1		
9	GB/T97. 1	垫圈8	WASHER 8	3		
10	GB/T5783	螺栓 M8×20	BOLT M8×20	3		
11	YZ-ZWJSS-010	内上车扶手	INNER HANDRAIL	1		
12	YZ-ZWJSS-024	碰锁座	LOCK SEAT	1		
13	GB/T91	开口销2×14	COTTER PIN 2×14	1		
14	GB/T97. 1	垫圈8	WASHER 8	4		
15	GB/T5783	螺栓 M8×16	BOLT M8×16	4		
16	YZ-ZWJSS-025	销	PIN	1		
17	YZ-ZWJSS-026	软轴总成	FLEXIBLE SHAFT ASS'Y	1		
18	GB/T5783	螺栓 M6×16	BOLT M6×16	3		
19	YZ-ZWJSS-027	碰锁把手	HANDLE, LOCK	1		
20	YZ-ZWJSS-021	灭火器	FIRE EXTINGUISHER	1		
21	YZ-ZWJSS-020	灭火器座	FIRE EXTINGUISHER HOLDER	1		
22	GB/T818	螺钉 M4×15	SCREW M4×15	4		
23	YZ-ZWJSS-017	茶杯座	CUP HOLDER	1		

# 58 驾驶室 VII OPERATOR'S CAB VII



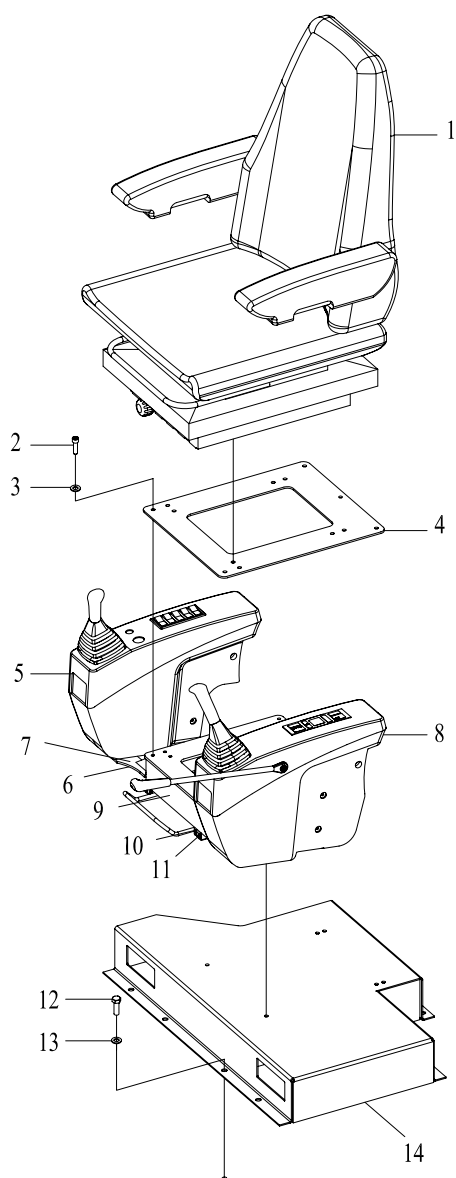
## 58 驾驶室 VII

## OPERATOR'S CAB VII

序号 NO.	代号 CODE	零件名称	PART NAME	数量 QTY	代码 S. C	备注 NOTE
1	YZLG21T-00001	顶棚	CEILING	1		
2	YZLG21T-00025	驾驶室灯	CAB LAMP	1		
3	YZ-ZWJSS-072	天窗密封条	SEAL, TOP WINDOW	1		

# 59 座椅安装 I

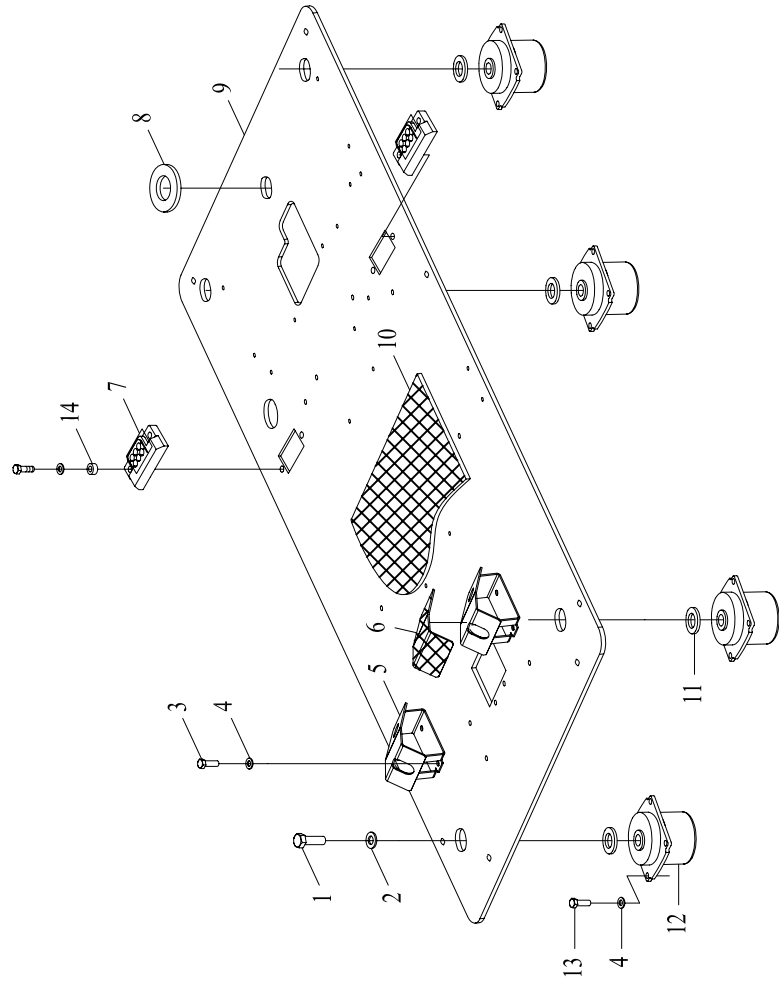
## SEAT MOUNTING I



**59 座椅安装 I**  
**SEAT MOUNTING I**

序号 NO.	代号 CODE	零件名称	PART NAME	数量 QTY	代码 S. C	备注 NOTE
1	2048951	座椅	SEAT	1	04023	
2	GB/T70. 1	内六角螺钉 M8×16	HEXAGON SCREW M8×16	25		
3	GB/T97. 1	垫圈8	WASHER 8	25		
4	CDM6210. 20-01A	座椅安装板	SEAT MOUNTING PLATE	1		
5	SD08009-D36	右扶手箱	STAND CASE R.H.	1	14174	
6	CDM6210. 20. 04A	右支架	RIGHT BRACKET	2		
7	CDM6210. 20-02A	垫板	SHIM PLATE	2		
8	SD08007	左扶手箱	STAND CASE L.H.	1	14174	
9	CDM6210. 20. 02A	滑座	SLIDE SEAT	1		
10	2048090	上滑轨	UPPER SLIDEWAY	1		
11	2048089	下滑轨	LOWER SLIDEWAY	1		
12	GB/T5783	螺栓 M10×20	BOLT M10×20	24		
13	GB/T97. 1	垫圈10	WASHER 10	40		
14	CDM6210. 20B. 01	座椅底座	SEAT BASE	1		

60 座椅安装 II  
SEAT MOUNTING II

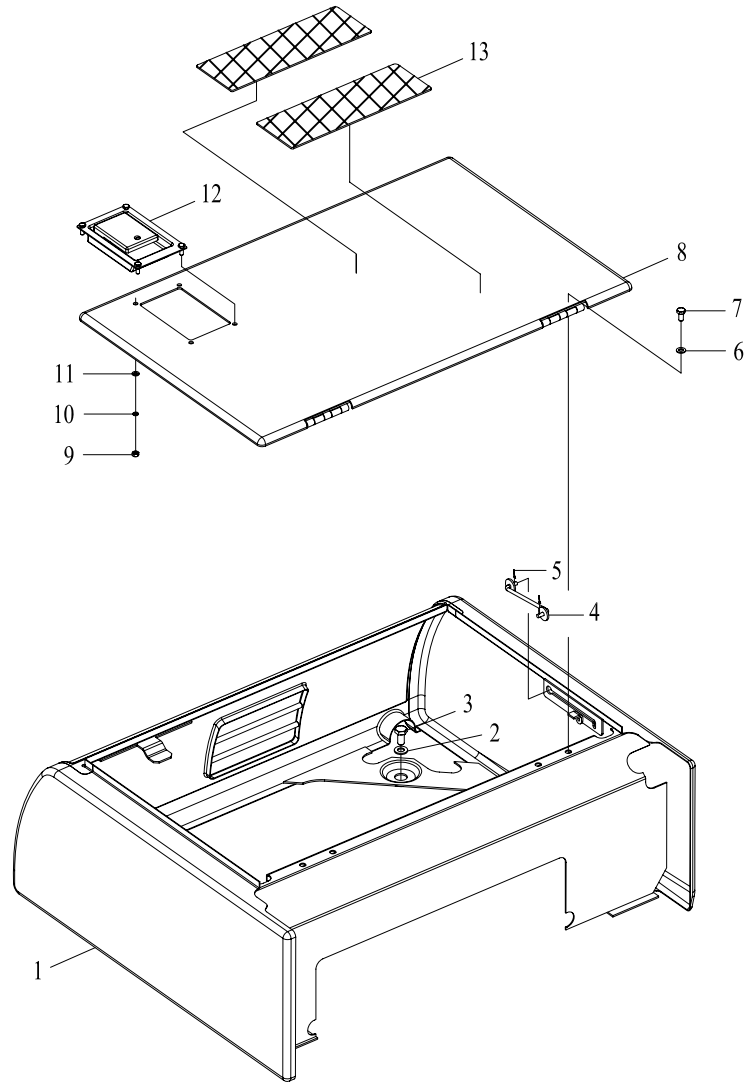




**60 座椅安装 II**  
**SEAT MOUNTING II**

序号 NO.	代号 CODE	零件名称	PART NAME	数量 QTY	代码 S. C	备注 NOTE
1	GB/T5783	螺栓 M16×40	BOLT M16×40	4		
2	GB/T97. 1	垫圈16	WASHER 16	4		
3	GB/T5783	螺栓 M10×20	BOLT M10×20	28		
4	GB/T97. 1	垫圈10	WASHER 10	44		
5	CDM6210. 19. 03	踏板	FOOT PEDAL	2		
6	CDM6210. 19. 04-02	橡胶脚踏	RUBBER PAD, FOOT PEDAL	2		
7	CDM6210. 19. 04-05	管夹	PIPE CLAMP	2		
8	CDM6210. 19. 04-04	防尘圈	DUST SEAL	2		
9	LG6360. 21. 01	底板焊合	BOARD WELDMENT	1		
10	CDM6210. 19. 04-03A	橡皮地垫	RUBBER MAT	1		
11	CDM6210. 19-01	垫圈	WASHER	4		
12	Y20-26-1160	驾驶室减震器	SHOCK ABSORBER, CAB	4	14161	
13	GB/T5783	螺栓 M10×25	BOLT M10×25	16		
14	CDM6210. 08-07	垫圈	WASHER	4		

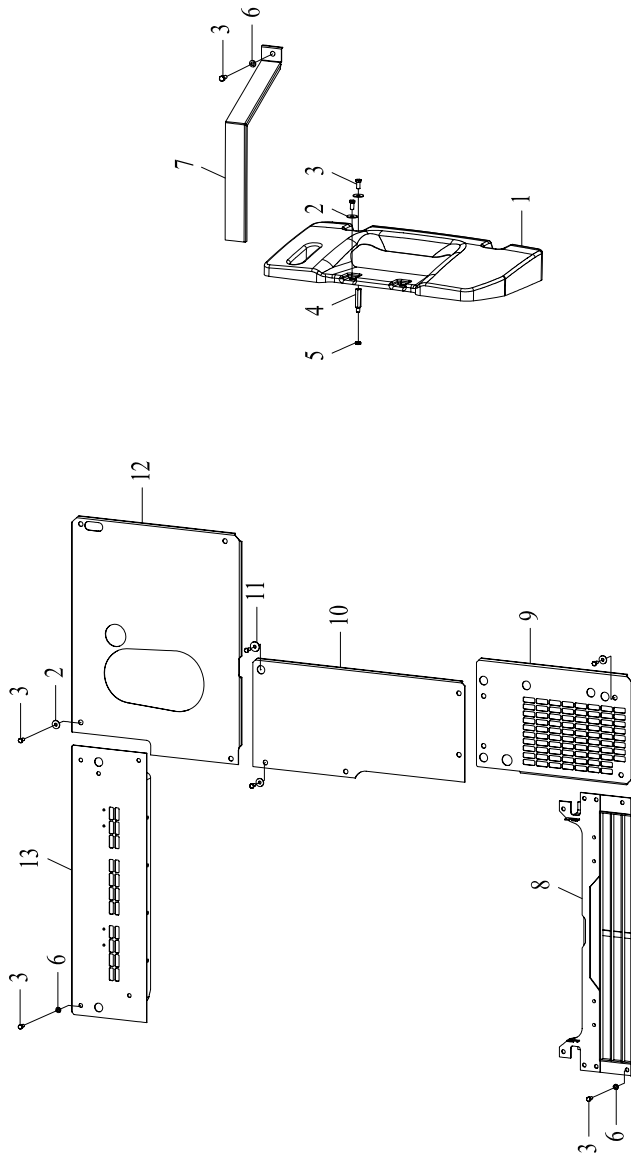
# 61 工具箱 TOOL KIT



## 61 工具箱 TOOL KIT

序号 NO.	代号 CODE	零件名称	PART NAME	数量 QTY	代码 S. C	备注 NOTE
1	LG6360. 25. 01	工具箱体	TOOL KIT	1	14174	
2	GB/T96. 1	垫圈12	WASHER 12	4		
3	GB/T5783	螺栓 M12×25	BOLT M12×25	4		
4	LG6360. 25. 03	撑杆总成	BRACE ROD ASS'Y	1		
5	GB/T91	开口销1. 6×20	COTTER PIN 1.6×20	2		
6	GB/T97. 1	垫圈8	WASHER 8	4		
7	GB/T5783	螺栓 M8×16	BOLT M8×16	4		
8	LG6360. 25. 02	工具箱盖	TOOL KIT COVER	1		
9	GB/T6170	螺母 M6	NUT M6	4		
10	GB/T97. 1	垫圈6	WASHER 6	4		
11	GB/T93	垫圈6	WASHER 6	4		
12	NBS504B	门锁	DOOR LOCK	1		
13	LG6360. 14. 03-01	防滑板	ANTI-SLIP PLATE	2		

62 盖板总成 I  
COVER BOARD ASS'Y I

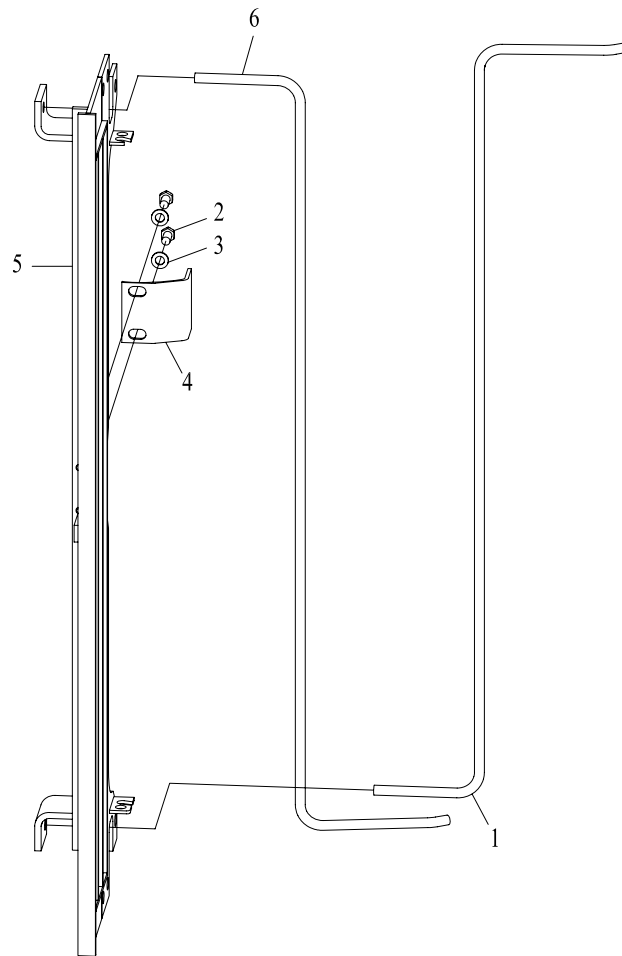


## 62 盖板总成 I

## COVER BOARD ASS'Y I

序号 NO.	代号 CODE	零件名称	PART NAME	数量 QTY	代码 S. C	备注 NOTE
1	LG6360. 14. 03-02	装饰板	DECORATIVE PLATE	1		
2	GB/T96. 1	垫圈12	WASHER 12	17		
3	GB/T5783	螺栓 M12×25	BOLT M12×25	34		
4	LG6230. 03-01	接头	CONNECTOR	2		
5	GB/T6172. 1	螺母 M12	NUT M12	2		
6	GB/T97. 1	垫圈12	WASHER 12	16		
7	LG6360. 14. 03. 05	前封板	FRONT COVER PLATE	1		
8	LG6360. 14. 03. 04	右后顶板	RIGHT COVER BOARD, REAR	1		
9	LG6360. 14. 03. 06	右前顶板	RIGHT COVER BOARD, FRONT	1		
10	LG6360. 14. 03. 03	中盖板	MIDDLE COVER BOARD	1		
11	GB/T5287	垫圈12	WASHER 12	1		
12	LG6360. 14. 03. 02	液压油箱上盖板	UPPER COVER BOARD, HYDAULIC OIL TANK	1		
13	LG6360. 14. 03. 01	左后顶板	LEFT COVER BOARD, REAR	1		

63 盖板总成 II  
COVER BOARD ASS'Y II

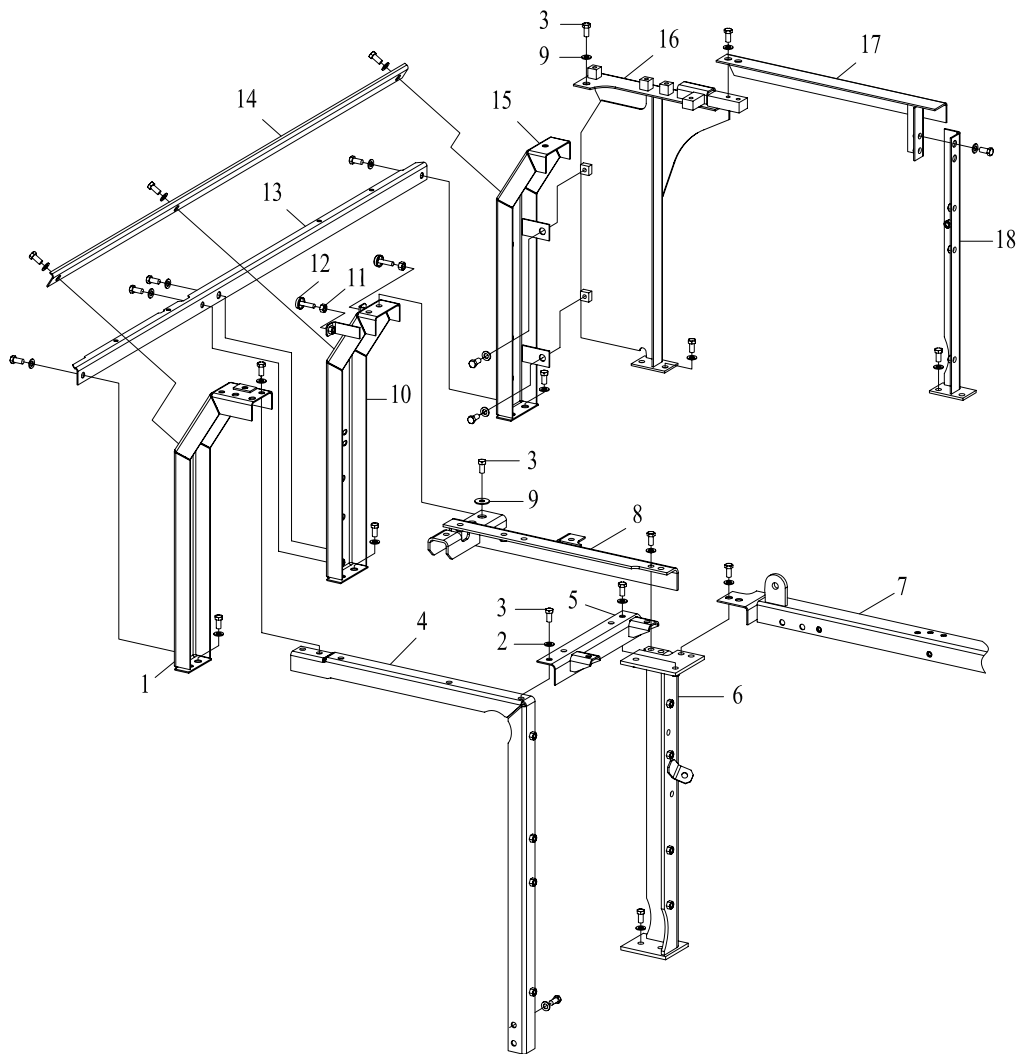


## 63 盖板总成 II

## COVER BOARD ASS'Y II

序号 NO.	代号 CODE	零件名称	PART NAME	数量 QTY	代码 S. C	备注 NOTE
1	LG6360. 14-01	后扭簧	REAR TORSIONAL SPRING	1		
2	GB/T5783	螺栓 M12×25	BOLT M12×25	34		
3	GB/T97. 1	垫圈12	WASHER 12	16		
4	LG6360. 14-02	压板	PRESS PLATE	1		
5	LG6360. 14. 03. 04	右后顶板	RIGHT COVER BOARD, REAR	1		
6	LG6360. 14-03	前扭簧	FRONT TORSIONAL SPRING	1		

64 支架总成 I  
BRACKET ASS'Y I

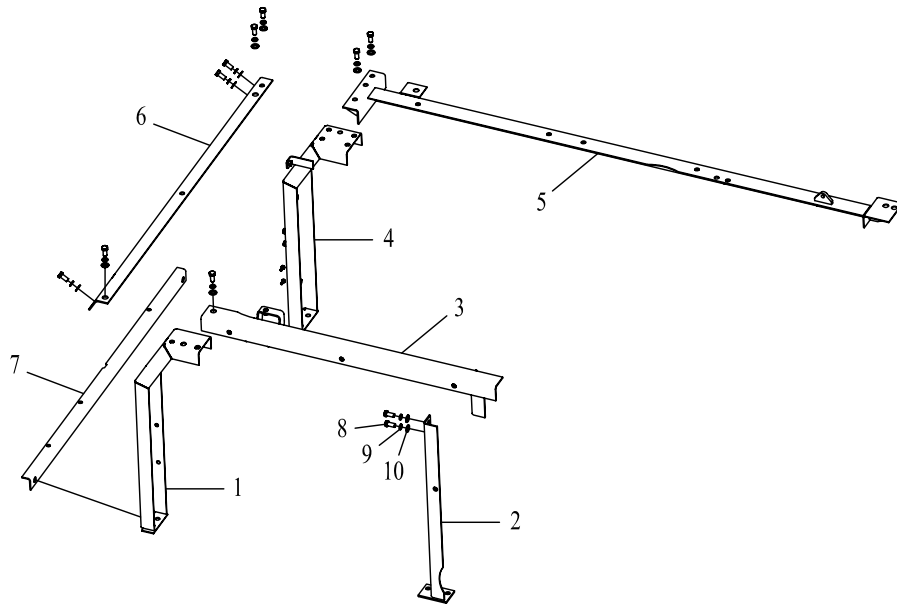




## 64 支架总成 I BRACKET ASS'Y I

序号 NO.	代号 CODE	零件名称	PART NAME	数量 QTY	代码 S. C	备注 NOTE
1	LG6360. 14. 01. 12	右前支架总成	RIGHT BRACKET ASS'Y, FRONT	1		
2	GB/T97. 1	垫圈12	WASHER 12	62		
3	GB/T5783	螺栓 M12×25	BOLT M12×25	65		
4	LG6360. 14. 01. 13	右前支架横梁	LEFT BRACKET, FRONT	1		
5	LG6360. 14. 01. 11	主阀上盖板右支架	RIGHT BRACKET, MAIN PUMP UPPER COVER	1		
6	LG6360. 14. 01. 18	中横梁立柱	POST, MIDDLE BRACKET	1		
7	LG6360. 14. 01. 03	中横梁总成	MIDDLE BRACKET ASS'Y	1		
8	LG6360. 14. 01. 10	右中横梁	RIGHT BRACKET, MIDDLE	1		
9	GB/T96. 1	垫圈12	WASHER 12	3		
10	LG6360. 14. 01. 09	右中支架总成	RIGHT BRACKET ASS'Y, MIDDLE	1		
11	GB/T6170	螺母 M10	NUT M10	4		
12	LG6230. 14. 01. 02. 02	限位螺钉	STOP SCREW	4		
13	LG6360. 14. 01-02	右下角条	RIGHT BRACKET, LOWER	1		
14	LG6360. 14. 01-03	右上角条	RIGHT BRACKET, UPPER	1		
15	LG6360. 14. 01. 08	右后支架总成	RIGHT BRACKET ASS'Y, REAR	1		
16	LG6360. 14. 01. 07	右后支腿	RIGHT SUPPORT, REAR	1		
17	LG6360. 14. 01. 06	右后横梁总成	RIGHT BRACKET ASS'Y, REAR	1		
18	LG6360. 14. 01. 11	后支腿	REAR SUPPORT	3		

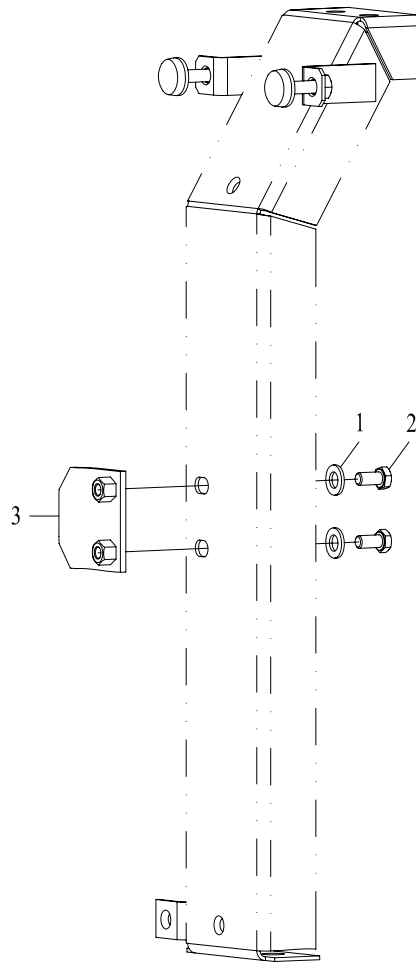
65 支架总成 II  
BRACKET ASS'Y II



**65 支架总成 II**  
**BRACKET ASS'Y II**

序号 NO.	代号 CODE	零件名称	PART NAME	数量 QTY	代码 S. C	备注 NOTE
1	LG6360. 14. 01. 04	左后支架总成	LEFT BRACKET ASS'Y, REAR	1		
2	GB/T97. 1	垫圈12	WASHER 12	62		
3	GB/T5783	螺栓 M12×25	BOLT M12×25	65		
4	LG6360. 14. 01. 11	后支腿	REAR SUPPORT	3		
5	LG6360. 14. 01. 05	左后横梁总成	LEFT BRACKET ASS'Y, REAR	1		
6	LG6360. 14. 01. 02	左中支架总成	LEFT BRACKET ASS'Y, MIDDLE	1		
7	GB/T6170	螺母 M10	NUT M10	4		
8	LG6230. 14. 01. 02. 02	限位螺钉	STOP SCREW	4		
9	LG6360. 14. 01. 03	中横梁总成	MIDDLE BRACKET ASS'Y	1		
10	LG6360. 14. 01. 15	驾驶室后隔板	REAR BAFFLE, CAB	1		
11	LG6360. 14. 01. 01	左前支架总成	LEFT BRACKET ASS'Y, FRONT	1		
12	LG6360. 14. 01. 17	左上角条	LEFT BRACKET, UPPER	1		
13	LG6360. 14. 01-01	左下角条	LEFT BRACKET, LOWER	1		

66 支架总成 III  
BRACKET ASS'Y III

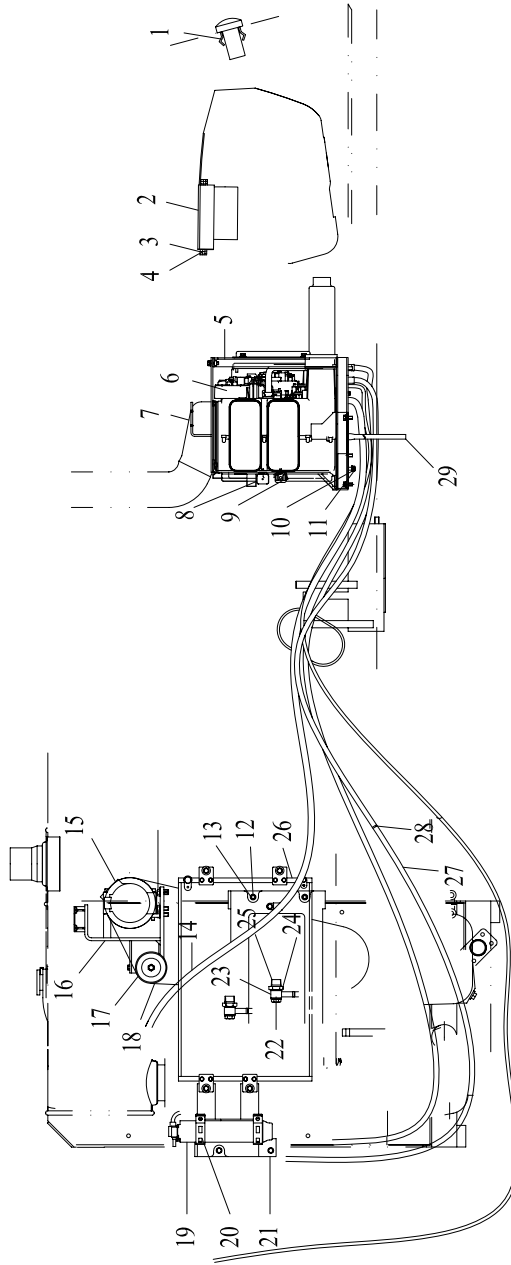


**66 支架总成 III**  
**BRACKET ASS'Y III**

序号 NO.	代号 CODE	零件名称	PART NAME	数量 QTY	代码 S. C	备注 NOTE
1	GB/T97. 1	垫圈10	WASHER 10	4		
2	GB/T5783	螺栓 M10×20	BOLT M10×20	4		
3	LG6360. 14. 01. 16	锁板	LOCK PLATE	2		

67 空调系统 I

AIR CONDITIONER SYSTEM I



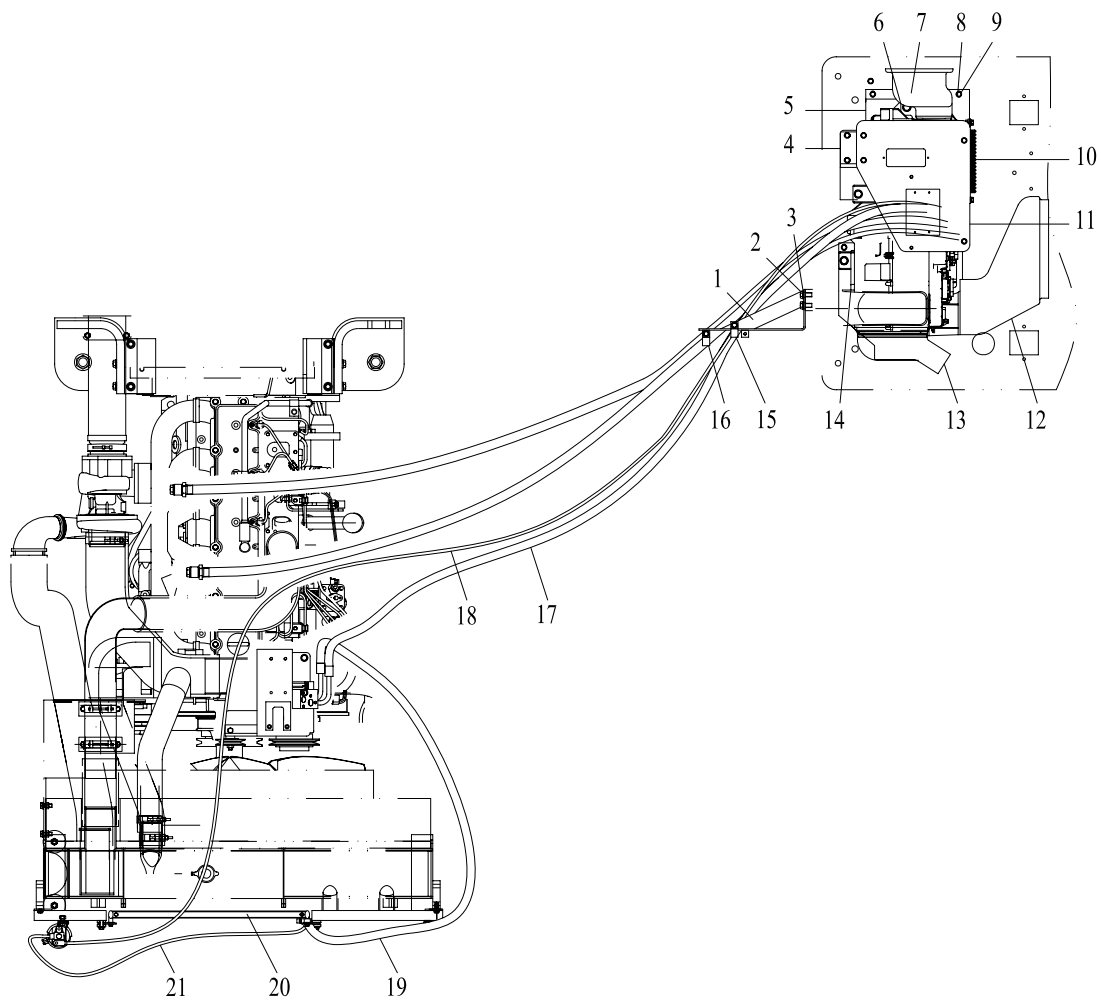
## 67 空调系统 I

## AIR CONDITIONER SYSTEM I

序号 NO.	代号 CODE	零件名称	PART NAME	数量 QTY	代码 S. C	备注 NOTE
1	077450-0900	日射传感器	SOLAR-SENSITIVE SENSOR	1		
2	146570-3830	控制面板	CONTROL PANEL	1	11077	
3	GB/T6560	自攻螺钉 M4×14	SELF-TAPPING SCREW M4×14	4		
4	GB/T848	垫圈4	WASHER 4	4		
5	CDM6210. 21A. 02. 03	前支架	FRONT BRACKET	1		
6	SG443200-7194	空调单元	AIR CONDITIONER	1	11077	
7	208-53-12120	后风管	REAR AIR PIPE	1		
8	056800-3060	继电器2	RELAY 2	1		
9	056700-8170	继电器1	RELAY 1	1		
10	GB/T5783	螺栓 M8×35	BOLT M8×35	6		
11	GB/T97. 1	垫圈8	WASHER 8	20		
12	GB/T5783	螺栓 M10×25	BOLT M10×25	8		
13	GB/T97. 1	垫圈10	WASHER 10	8		
14	GB/T5782	螺栓 M8×80	BOLT M8×80	4		
15	SG447160-3350	压缩机总成	COMPRESSOR ASS'Y	1	11077	
16	LG6360. 08. 01. 01	压缩机支架	COMPRESSOR SUPPORT	1		
17	LG6210-TS 00100 04	涨紧轮总成	IDLER CUSHION ASS'Y	1		
18	6690	三角带	V-BELT	1		
19	SG447810-0130	储液罐总成	LIQUID TANK ASS'Y	1		
20	SG047890-8350	储液罐支架	LIQUID TANK SUPPORT	1		
21	CDM6210. 21A. 01. 01	左支架	LEFT SUPPORT	1		
22	CDM6210. 21. 03	铰接接头	HINGED CONNECTOR	2		
23	ZR00600	水阀	WATER VALVE	2		
24	CDM6210. 21-02	垫圈	WASHER	4		
25	CDM6210. 21-04	过渡接头	TRANSITION CONNECTOR	2		
26	LG6360. 08. 02. 01	右支架	RIGHT SUPPORT	1		
27		车用空调热水管 L4000	HOT WATER PIPE, AIR CONDITIONER L4000	2		
28	G9H1625	卡箍 Φ16-25	CLAMP Φ16-25	4		
29	SG146310-1780	排水管1	WATER OUTLET PIPE 1	1		

## 68 空调系统 II

## AIR CONDITIONER SYSTEM II





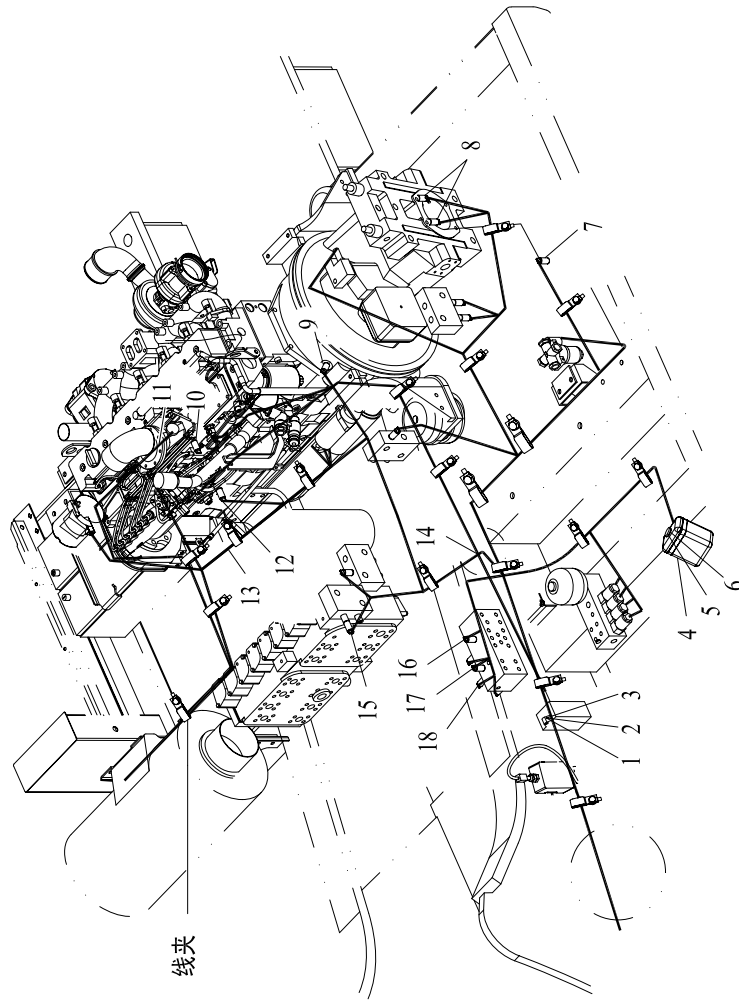
## 68 空调系统 II

## AIR CONDITIONER SYSTEM II

序号 NO.	代号 CODE	零件名称	PART NAME	数量 QTY	代码 S. C	备注 NOTE
1	LG6360.08.03	管路支架	LINES SUPPORT	1		
2	GB/T5783	螺栓 M12×25	BOLT M12×25	2		
3	GB/T97.1	垫圈12	WASHER 12	2		
4	CDM6210.21A.02.04	支架	SUPPORT	1		
5	CDM6210.21A.02.01	左支架	LEFT SUPPORT	1		
6	CDM6210.21A.02-01	外气风管	EXTERNAL AIR PIPE	1		
7	014300-5090	外气过滤器	EXTERNAL AIR CLEANER	1		
8	GB/T5783	螺栓 M8×25	BOLT M8×25	10		
9	GB/T97.1	垫圈8	WASHER 8	20		
10	014520-0890	内气过滤器	INTERNAL AIR CLEANER	1		
11	CDM6210.21A.02-03	盖板	COVER BOARD	1		
12	SG245280-0880	脚步风道	AIR DUCT, FOOT	1		
13	CDM6210.21A.02-02	右风管	RIGHT AIR PIPE	1		
14	CDM6210.21A.02.02	右支架	RIGHT SUPPORT	1		
15	PCD221-21/20	管夹21-21	PIPE CLAMP 21-21	2		
16	PCD232-32/20	管夹32-32	PIPE CLAMP 32-32	3		
17	SG5-445350-020	吸气软管 L3650	AIR SUCTION HOSE L3650	1		
18	SG5-445210-010	液体软管 (带压力开关) L6000	LIQUID HOSE (WITH PRESSURE SWITCH) L6000	1		
19	SG5-445230-020	排气软管 L3100	EXHAUST HOSE L3100	1		
20	SG447750-6180	冷凝器总成	CONDENSER ASS'Y	1	11077	
21	SG445130-5990	液体软管	LIQUID HOSE	1		

69 电气系统 I

ELECTRICAL SYSTEM I



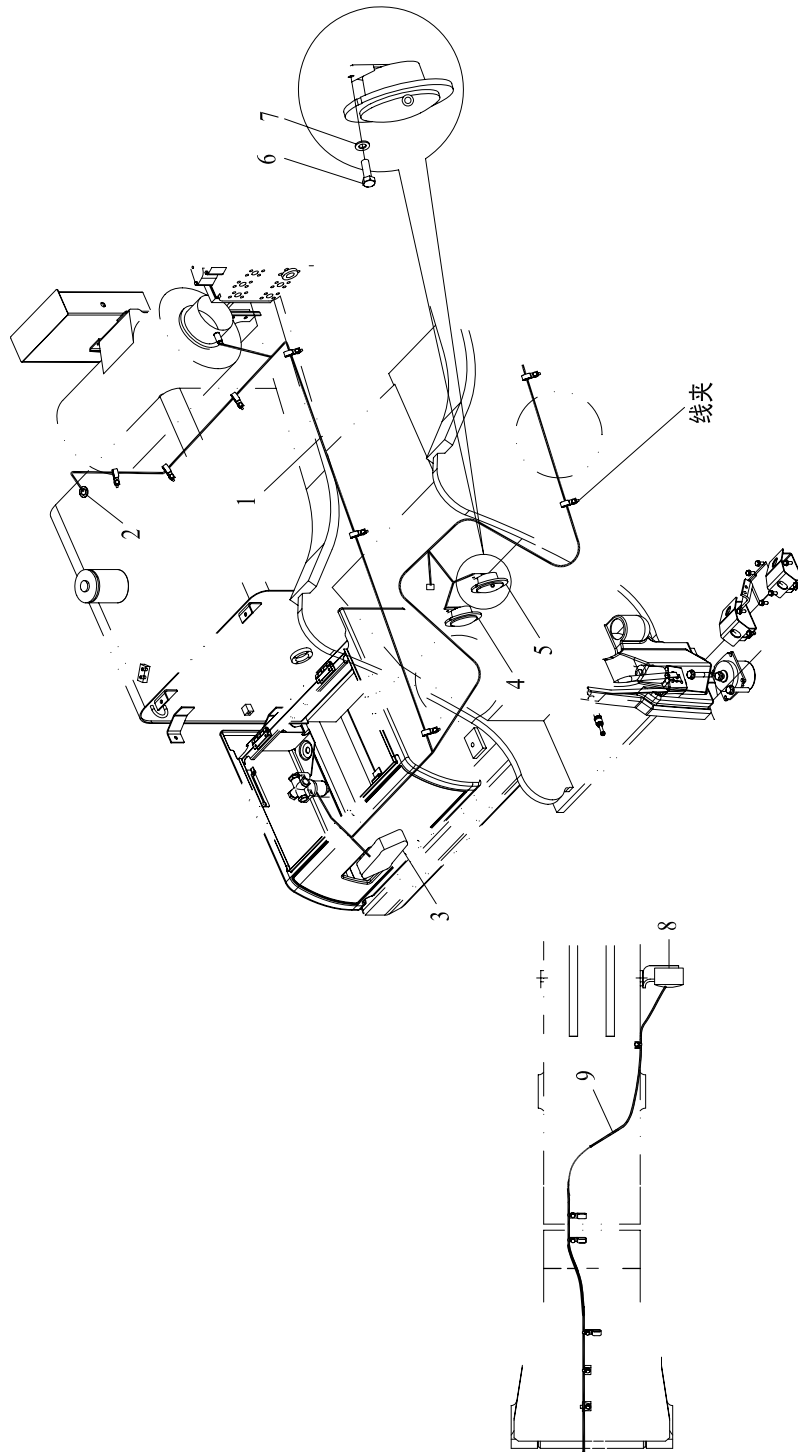
## 69 电气系统 I

### ELECTRICAL SYSTEM I

序号 NO.	代号 CODE	零件名称	PART NAME	数量 QTY	代码 S. C	备注 NOTE
1	AC2/2000	油门执行器	THROTTLE PERFORMER	1	02293	
2	GB/T70. 1	内六角螺钉 M8×35	HEXAGON SCREW M8×35	2		
3	GB/T97. 1	垫圈8	WASHER 8	2		
4	XD206	洗涤剂总成	WINDOW WASHER ASS'Y	1		
5	GB/T70. 1	内六角螺钉 M6×25	HEXAGON SCREW M6×25	2		
6	GB/T97. 1	垫圈6	WASHER 6	2		
7	323-805-001-004N	液压油温度传感器	HYDRAULIC OIL TEMPERATURE SENSOR	1		
8	R902603033	主泵压力传感器	MAIN PUMP PRESSURE SENSOR	2	03016	
9	340-804-007-004C	转速传感器	SPEED SENSOR	1		
10	323-805-001-004N	冷却液温度传感器	COOLANT TEMPERATURE SENSOR	1		
11	LG6360. 07A. 01. 08	预热线束	PREHEAT WIRING HARNESS	1		
12	230-112-005-005C	机油压力报警开关	ENGINE OIL PRESSURE ALARM SWITCH	1		
13	LG6360. 07. 03	发动机线束	ENGINE WIRING HARNESS	1		
14	LG6360. 07A. 01. 01A	车身线束	CAR BODY WIRING HARNESS	1	04022	
15	R900014524	主阀压力开关	MAIN VALVE PRESSURE SWITCH	1	02046	
16	R902603871	泵1先导压力传感器	PILOT PRESSURE SENSOR, PUMP 1	1		
17	R902603871	泵2先导压力传感器	PILOT PRESSURE SENSOR, PUMP 2	1		
18	R902603871	动臂下放先导压力传感器	BOOM DOWNWARD PILOT PRESSURE SENSOR	1		

70 电气系统 II

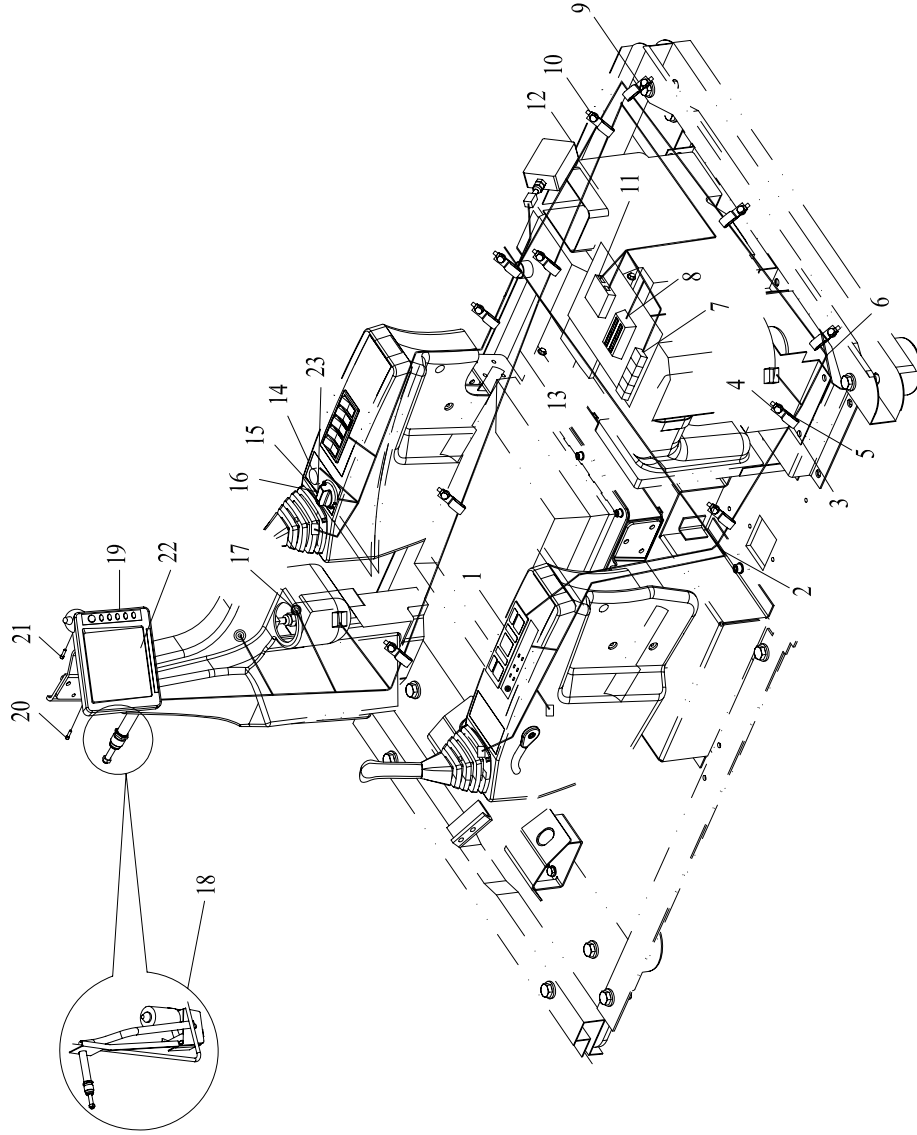
ELECTRICAL SYSTEM II



**70 电气系统 II**  
**ELECTRICAL SYSTEM II**

序号 NO.	代号 CODE	零件名称	PART NAME	数量 QTY	代码 S. C	备注 NOTE
1	LG6360.07A.01.01A	车身线束	CAR BODY WIRING HARNESS	1	04022	
2	01888	燃油油位传感器	FUEL LEVEL SENSOR	1	02294	
3	Y-204	平台工作灯	PLATFORM WORK LAMP	1		(24V 70W)
4	3CA 004 811-031	电喇叭总成	HORN ASS'Y	1	02292	
5	3CA 004 811-021	电喇叭总成	HORN ASS'Y	1	02292	
6	GB/T5783	螺栓 M12×25	BOLT M12×25	2		
7	GB/T97.1	垫圈12	WASHER 12	2		
8	20Y0625310	动臂工作灯	BOOM WORK LAMP	1		(24V 70W)
9	LG6360.07A.01.07	动臂线束	BOOM WIRING HARNESS	1		

71 电气系统 III  
ELECTRICAL SYSTEM III



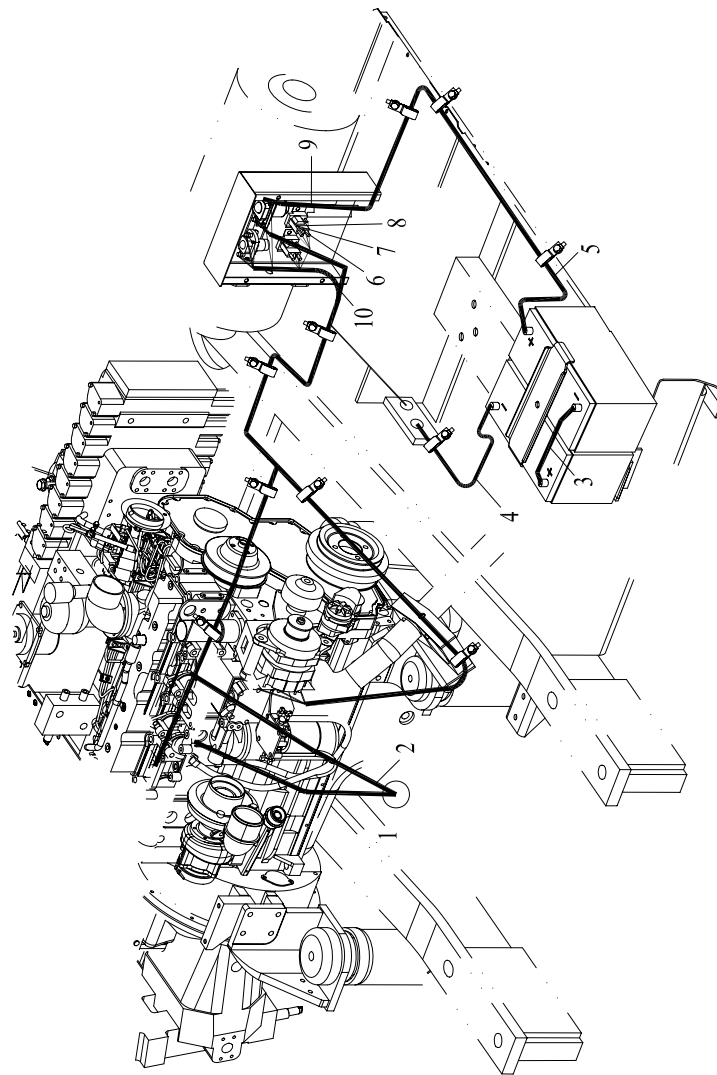
## 71 电气系统 III

## ELECTRICAL SYSTEM III

序号 NO.	代号 CODE	零件名称	PART NAME	数量 QTY	代码 S. C	备注 NOTE
1	TK-B30	收音机	RADIO	1		
2	LG6360.07.01.02	驾驶室线束	CAB WIRING HARNESS	1		
3	3700950	线夹	CLIP	20		
4	GB/T5783	螺栓 M8×20	BOLT M8×20	60		
5	GB/T97.1	垫圈8	WASHER 8	60		
6	LG6360.07.01.06	空调线束	AIR CONDITIONER WIRING HARNESS	1		
7	LG6360.07.01.05	继电器线束	RELAY WIRING HARNESS	1		
8	LG6360.07.01.04	保险线束	FUSE WIRING HARNESS	1		
9	3700940	线夹	CLIP	20		
10	3700920	线夹	CLIP	20		
11	R902091119	主控制器	MASTER CONTROLLER	1	02046	
12	DKB-SZ2	雨刮控制器	WINDOW WIPER CONTROLLER	1		
13	LG6360.07.01.03	显示器线束	MONITOR WIRING HARNESS	1		
14	894402-5000	钥匙开关	START SWITCH	1		
15	ADN-012-0551V	油门电位器	THROTTLE POTENTIAL DEVICE	1		
16		油门电位器罩壳	THROTTLE DIAL COVER	1		
17	8EZ 008 021-011	点烟器	LIGHTER	1		
18	DC0B	传动机构总成	DRIVE MECHANISM ASS'Y	1		
19	YZLG21T-00017	显示器罩	MONITOR COVER	1		
20	GB/T70.2	内六角平圆头螺钉 M6×20	HEXAGON SCREW M6×20	2		
21	GB/T70.2	内六角平圆头螺钉 M5×12	HEXAGON SCREW M5×12	3		
22	R902109513	显示器	MONITOR	1	02046	
23	SD-D36. XN	旋钮	THROTTLE DIAL	1		

72 电气系统 IV

ELECTRICAL SYSTEM IV





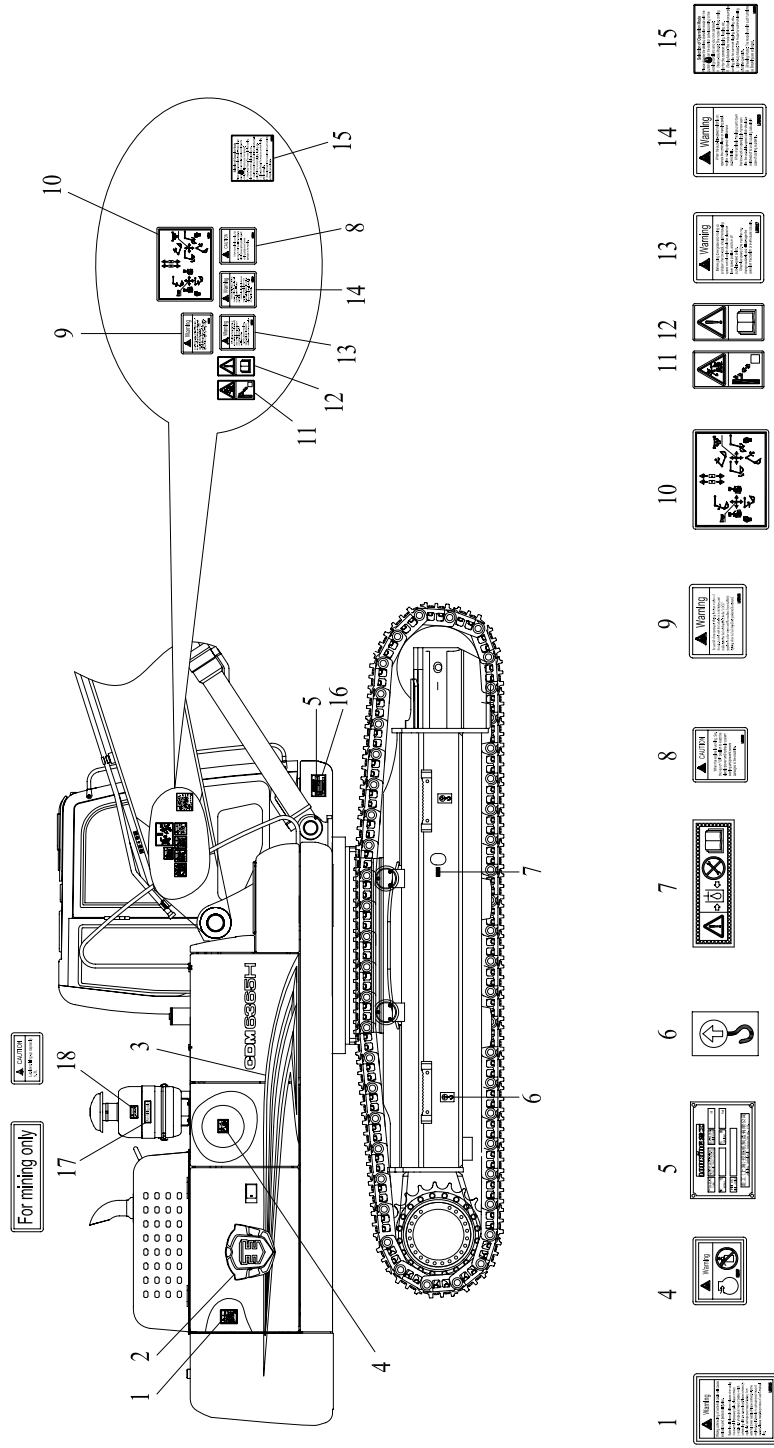
## 72 电气系统 IV

## ELECTRICAL SYSTEM IV

序号 NO.	代号 CODE	零件名称	PART NAME	数量 QTY	代码 S. C	备注 NOTE
1	LG6360.07.01.14	启动机搭铁线	STARTER EARTHING CABLE	1		
2	LG6360.07.01.14	发动机搭铁线	ENGINE EARTHING CABLE	1		
3	LG6360.07.01.11	蓄电池连接线缆	BATTERY CONNECTION CABLE	1		
4	LG6360.07.01.13	蓄电池搭铁线	BATTERY EARTHING CABLE	1		
5	LG6360.07.01.12	蓄电池、电源开关连接线	BATTERY SWITCH CONNECTION CABLE	1		
6	(3916302)120-114751	启动继电器	START RELAY	2	11076	
7	GB/T818	螺钉 M6×14	SCREW M6×14	4		
8	GB/T818	垫圈6	WASHER 6	4		
9	LG6360.07A.01.09	电池-预热继电器线束	BATTERY-PREHEAT RELAY WIRING HARNESS	1		
10	LG6360.07.01.10	启动电缆线束	START WIRING HARNESS	1		

# 73 铭牌安置图 I

## NAMEPLATE RECOGNITION I



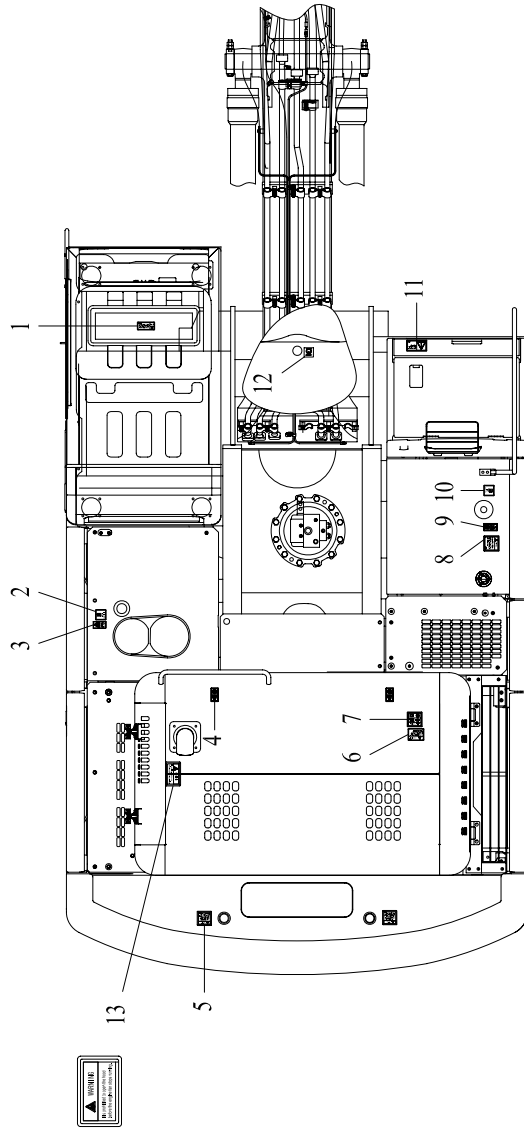
## 73 铭牌安置图 I

## NAMEPLATE RECOGNITION I

序号 NO.	代号 CODE	零件名称	PART NAME	数量 QTY	代码 S. C	备注 NOTE
1	CDM6235. 22-11	警告标识	WARNING MARK	1		
2	CDM6235. 22-01	效率王标识一	EFFICIENCY MARK 1	1		
3	LG6360. 22A-03	6360效率王标识二	6360 EFFICIENCY MARK 2	1		
4	CDM6235. 22-18	警告标识	WARNING MARK	1		
5	CDM6235. 22-24	铭牌	NAMEPLATE	1		
6	LG6230. 22A-30A	标识	LIFTING MARK	4		
7	LG6230. 22A-29	警告标识	WARNING MARK	2		
8	CDM6235. 22-08	注意标识	CAUTION MARK	1		
9	CDM6235. 22-07	警告标识	WARNING MARK	1		
10	LG6230. 22A-14	操作图示	OPERATION INSTRUCTION	1		
11	LG6230. 22A-08	警告标识	WARNING MARK	1		
12	LG6230. 22A-09	警告标识	WARNING MARK	1		
13	CDM6235. 22-06	警告标识	WARNING MARK	1		
14	CDM6235. 22-05	警告标识	WARNING MARK	1		
15	CDM6235. 22-09	作业模式选择	MODE SELECTION	1		
16	GB/T12618. 1	抽芯铆钉 M4×10	SELF-PLUGGING RIVET M4×10	4		
17	CDM6365. 22-07	标志	MARK	1		
18	CDM6365. 22-04	注意标志	CAUTION MARK	1		

# 74 铭牌安置图 II

## NAMEPLATE RECOGNITION II



- 1
- 2
- 3
- 4
- 5
- 6
- 7
- 8
- 9
- 10
- 11
- 12

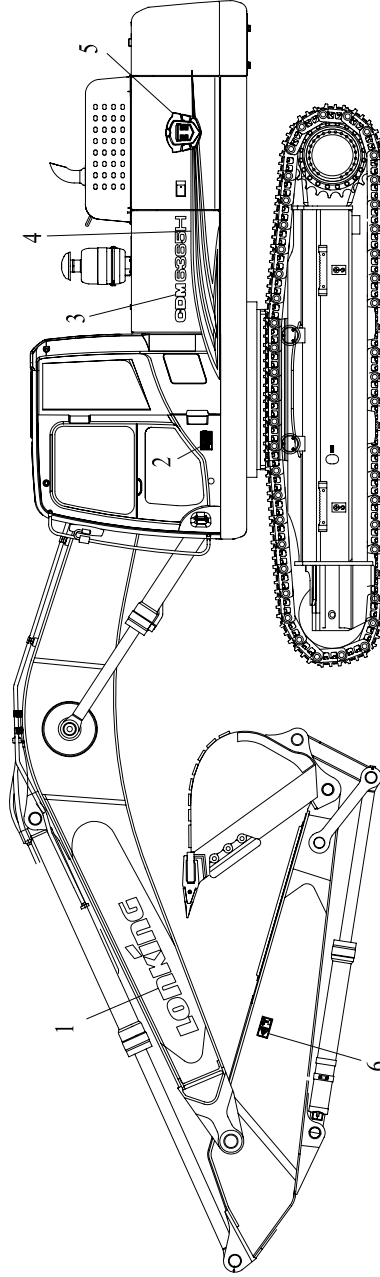
## 74 铭牌安置图 II

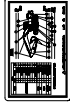


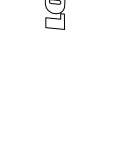
## NAMEPLATE RECOGNITION II

序号 NO.	代号 CODE	零件名称	PART NAME	数量 QTY	代码 S. C	备注 NOTE
1	CDM6235. 22-13	注意标识	CAUTION MARK	1		
2	LG6230. 22A-37	警告标识	WARNING MARK	1		
3	LG6230. 22A-36	警告标识	WARNING MARK	1		
4	LG6230. 22A-34	警告标识	WARNING MARK	2		
5	CDM6235. 22-15	警告标识	WARNING MARK	2		
6	CDM6235. 22-14	注意标识	CAUTION MARK	1		
7	CDM6235. 22-16	警告标识	WARNING MARK	1		
8	CDM6235. 22-17	警告标识	WARNING MARK	1		
9	LG6230. 22A-38	警告标识	WARNING MARK	1		
10	LG6230. 22A-39	标识	MARK	1		
11	CDM6235. 22-10	警告标识	WARNING MARK	1		
12	LG6230. 22A-27	整车牵引标识	TRACTION MARK FOR ENTIRE CAR	1		
13	CDM6235. 22-27	警告标志	WARNING MARK	1		

75 铭牌安置图 III

NAMEPLATE RECOGNITION III



- 1 
- 2 
- 3 4 5 
- 6 

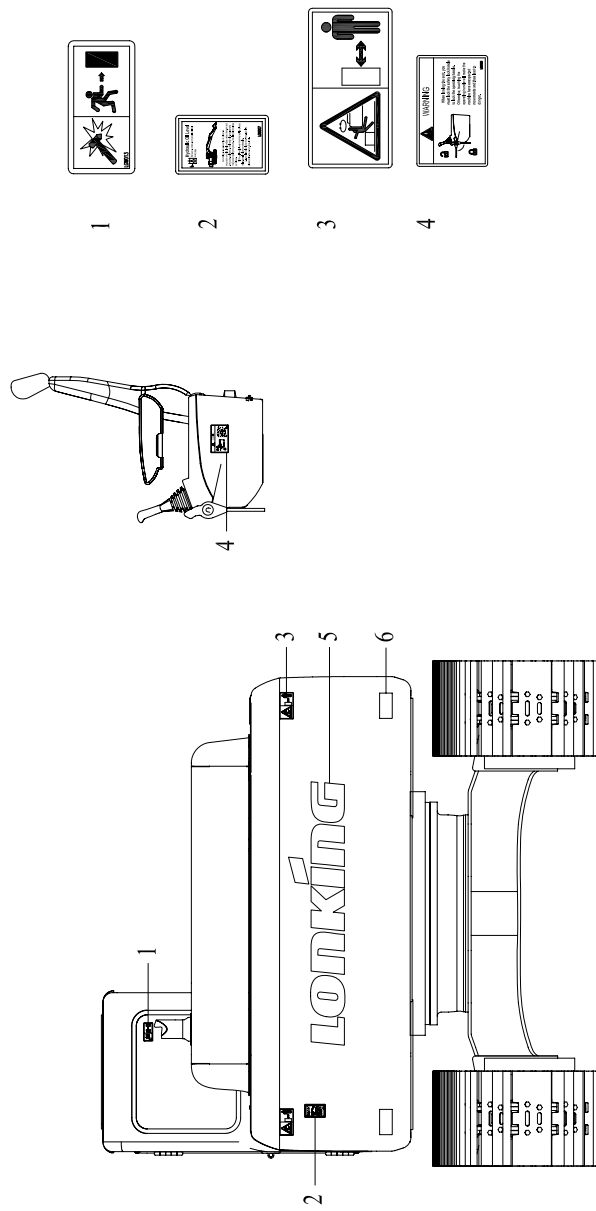
## 75 铭牌安置图 III

## NAMEPLATE RECOGNITION III

序号 NO.	代号 CODE	零件名称	PART NAME	数量 QTY	代码 S. C	备注 NOTE
1	CDM6365. 22-01	动臂大商标	LOGO, BOOM	2		
2	CDM6365. 22-03	润滑图表	LUBRICATING DIAGRAM	1		
3	CDM6365. 22-02	型号	MODEL	2		
4	LG6360. 22A-06	6360效率王标识三	6360 EFFICIENCY MARK 3	1		
5	CDM6235. 22-04	效率王标识 2	EFFICIENCY MARK 2	1		
6	LG6230. 22A-18	危险标识	DANGER MARK	2		

# 76 铭牌安置图 IV

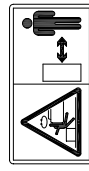
## NAMEPLATE RECOGNITION IV



1



2



3



4



## 76 铭牌安置图 IV

## NAMEPLATE RECOGNITION IV

序号 NO.	代号 CODE	零件名称	PART NAME	数量 QTY	代码 S. C	备注 NOTE
1	LG6230. 22A-22	逃生标识	ESCAPE MARK	1		
2	CDM6235. 22-20	注意标识	CAUTION MARK	1		
3	LG6230. 22A-19	危险标识	DANGER MARK	2		
4	CDM6235. 22-19	警告标识	WARNING MARK	1		
5	LG6230. 22A-23	配重大商标	LOGO, COUNTER WEIGHT	1		
6	LG6230. 22A-25	反光标识	REFLECTOR MARK	2		