

PREFACE

This parts book is drawn based on real objects of the CDM6065 hydraulic excavator, detailing in illustrations all parts (including standard parts, accessories and optional parts) fitted with CDM6065 hydraulic excavator. Model and nameplate of the hydraulic excavator are marked in the noticeable place. Consumers, who are purchasing spare parts, may clearly mark, in the order, model and serial number of purchased excavator, and code, name and quantity of required parts.

With performance of hydraulic excavator increasingly improving and product design level rising, our company will better quality of some parts without further notice. Please contact dealers for any inquiries. Your attention will be appreciated.

For undetachable parts (weld assembly and riveted parts etc.) listed in this catalog, only part numbers are marked; for some of bought-in components, only structure diagrams are provided. Please note that bought-in components and their structures may have some differences.

This is the first issued version. We will appreciate corrections and editing suggestions from experts or readers may point out and correct our editing errors.

All rights reserved, unauthorized duplication and publish are a violation of applicable laws.

LONKING EXCAVATOR STRATEGIC BUSINESS UNIT

July, 2013



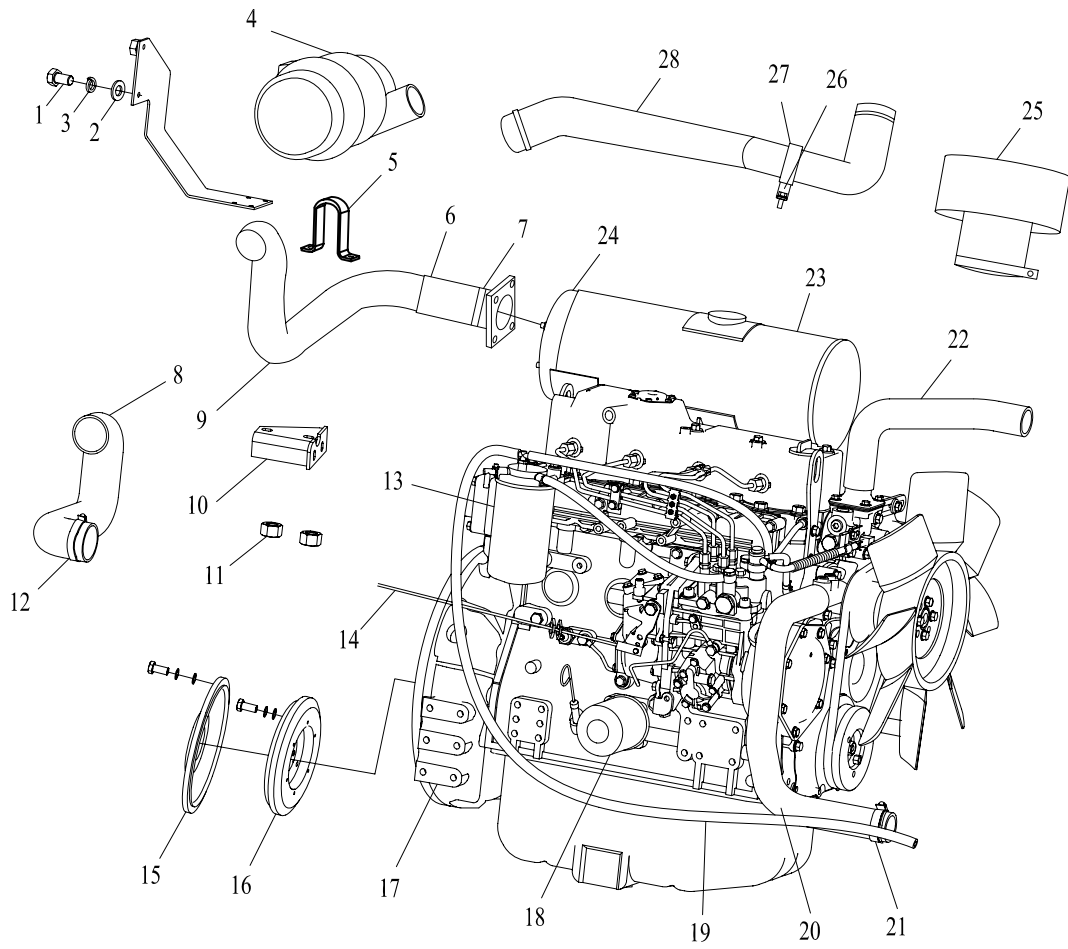
目 录

CONTENTS

01	发动机 I	ENGINE I	1
02	发动机 II	ENGINE II	3
03	发动机 III	ENGINE III	5
04	下车总成	UNDERCARRIAGE ASS'Y	7
05	引导轮	FRONT IDLER	9
06	支重轮	TRACK ROLLER	11
07	涨紧装置	IDLER CUSHION	13
08	履带	TRACK SHOE	15
09	中央回转接头	CENTRAL SWING CONNECTOR	17
10	回转支承	SWING CIRCLE	19
11	回转驱动装置	SWING DRIVE SYSTEM	21
12	平台总成 I	PLATFORM ASS'Y I	23
13	平台总成 II	PLATFORM ASS'Y II	25
14	主泵管路	MAIN PUMP LINES	27
15	主阀管路 I	MAIN VALVE LINES I	29
16	主阀管路 II	MAIN VALVE LINES II	31
17	先导管路	PILOT LINES	33
18	先导手柄	PILOT CONTROL VALVE	35
19	先导脚踏阀	FOOT PEDAL VALVE	37
20	先导推土阀	PILOT DOZER DEVICE	39
21	下车管路	CHASSIS LINES	41
22	回油管路 I	OIL RETURN LINES I	43
23	回油管路 II	OIL RETURN LINES II	45
24	油箱体	HYDRAULIC TANK	47
25	燃油箱	FUEL TANK	49
26	覆盖件 I	OUT PANNEL I	51

27	覆盖件 II	OUT PANNEL II	53
28	吸音海绵总成 I	SOUND-ABSORBING SPONGE ASS'Y I	55
29	吸音海绵总成 II	SOUND-ABSORBING SPONGE ASS'Y II	57
30	配重总成	COUNTER WEIGHT ASS'Y	59
31	铲斗总成	BUCKET ASS'Y	61
32	动臂总成	BOOM ASS'Y	63
33	斗杆总成 I	ARM ASS'Y I	65
34	斗杆总成 II	ARM ASS'Y II	67
35	推土铲	DOZER	69
36	动臂管路	BOOM LINES	71
37	动臂油缸	BOOM CYLINDER	73
38	斗杆油缸	ARM CYLINDER	75
39	铲斗油缸	BUCKET CYLINDER	77
40	推土油缸	DOZER CYLINDER	79
41	驾驶室 I	CABIN I	81
42	驾驶室 II	CABIN II	83
43	驾驶室 III	CABIN III	85
44	座椅安装	SEAT MOUNTING	87
45	空调系统	AIR CONDITIONER SYSTEM	89
46	电气系统 I	ELECTRICAL SYSTEM I	91
47	电气系统 II	ELECTRICAL SYSTEM II	93
48	电气系统 III	ELECTRICAL SYSTEM III	95
49	铭牌安置图 I	NAMEPLATE RECOGNITION I	97
50	铭牌安置图 II	NAMEPLATE RECOGNITION II	99
51	铭牌安置图 III	NAMEPLATE RECOGNITION III	101
52	铭牌安置图 IV	NAMEPLATE RECOGNITION IV	103
53	铭牌安置图 V	NAMEPLATE RECOGNITION V	105

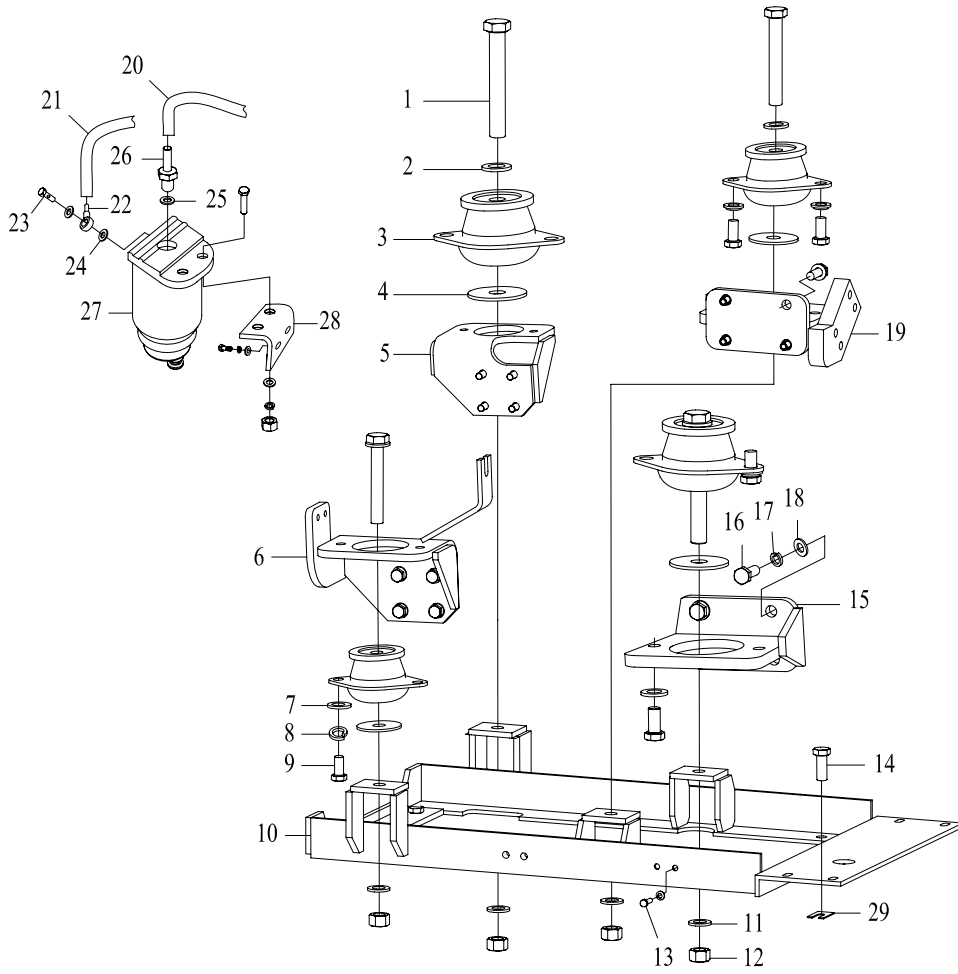
01 发动机 I ENGINE I



01 发动机 I ENGINE I

序号 NO.	代码 S.C	代号 CODE	零件名称 PART NAME	PART NAME 零件名称	数量 QTY	备注 NOTE
1	51204091022	GB/T5783	螺栓 M8×20	BOLT M8×20	27	
2	51401090122	GB/T93	垫圈 8	WASHER 8	37	
3	51421090121	GB/T97.1	垫圈 8	WASHER 8	37	
4	60405020186	129944-12500	空气滤清器	AIR CLEANER	1	
5	30601100690	CDM606.01-03B	卡箍	CLAMP	1	
6	60908000002	GR-02	排气管包裹材料	ALUMINIUM FOIL BLANKET	1	
7	56902002202	DIN3017-1	卡箍 A-50~70/9	CLAMP A-50~70/9	4	
8	30601100085	CDM606.01-01	进气胶管 I	AIR INLET HOSE I	1	
9	30601000021	CDM606.01.02C	排烟管	EXHAUST PIPE	1	
10	30601000208	CDM606.01.22	支架	BRACKET	1	
11	51307000922	GB/T6170	螺母 M8	NUT M8	8	
12	56902001702	DIN3017-1	卡箍 A-60~80/9	CLAMP A-60~80/9	4	
13	60308000094	129907-55801	燃油滤清器	FUEL FILTER	1	
14	60921010003	LW10-01-LJ103	软轴 L2500	SOFT SHAFT L2500	1	
15	30601100095	LG6065.01-01	连接盘	CONJUNCTIVE PLATE	1	
16	60204000067	CF-H-25-ZO-10642	联轴器	COUPLING	1	
17	60101000001	4TNV94L-PLY	发动机	ENGINE	1	
18	60101100725	119005-35151	机油滤清器	OIL FILTER	1	
19	60911010055	Q/GHXF23	胶管 8×15.5×3700	HOSE 8/15.5×3700	1	
20	30601100101	LG6065.01A-01	进水胶管	WATER INLET HOSE	1	
21	56902001902	DIN3017-1	卡箍 A-40~60/9	CLAMP A-40~60/9	4	
22	30601100102	LG6065.01A-02	出水胶管	WATER OUTLET HOSE	1	
23	60908000001	GR-01	消音器包裹材料	ALUMINIUM FOIL BLANKET	1	
24	60980001054	129907-133500	消声器	MUFFLER	1	
25	60101100011	KA12	空气预滤器	AIR FILTER	1	
26	30601000013	CDM606.01.16A	弯板	BENT PLATE	2	
27	60919010007	77系列 A1型	涂塑胶条 Q70	SEAL Q70	2	
28	30601100033	LG6065.01-02	进气胶管	AIR INLET HOSE	1	

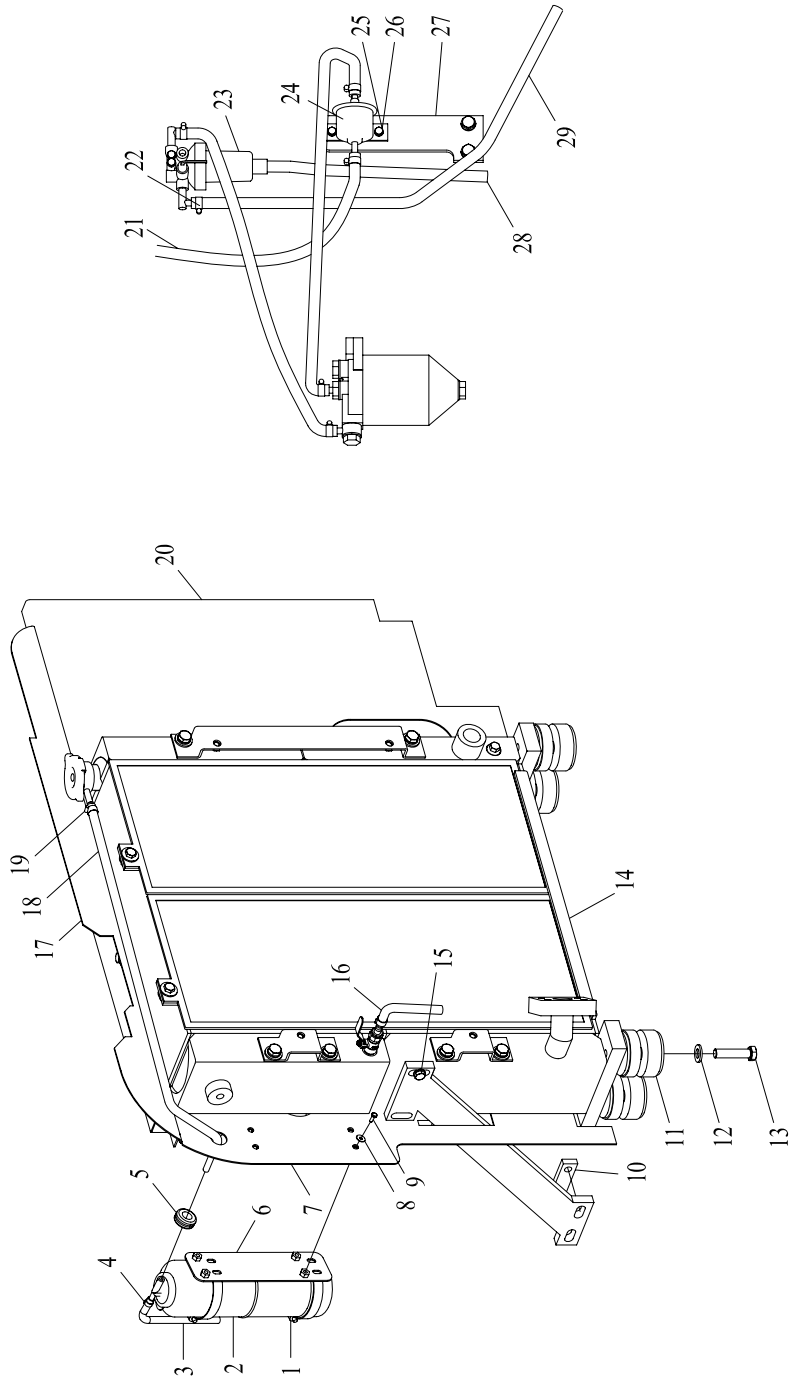
02 发动机 II ENGINE II



02 发动机 II ENGINE II

序号 NO.	代码 S.C	代号 CODE	零件名称 PART NAME	PART NAME 零件名称	数量 QTY	备注 NOTE
1	51203132721	GB/T5782	螺栓 M16×110	BOLT M16×110	4	
2	51422130121	GB/T97.2	垫圈 16	WASHER 16	12	
3	60920010002	2800908/P8000169	发动机减震器	DAMPER, ENGINE	4	
4	30601100001	CDM606.01-04A	垫圈	WASHER	8	
5	30601000012	CDM606.01.15A	支座	SUPPORT	1	
6	30601000003	CDM606.01.04C	支座	SUPPORT	1	
7	51421110121	GB/T97.1	垫圈 12	WASHER 12	8	
8	51401110122	GB/T93	垫圈 12	WASHER 12	8	
9	51204111122	GB/T5783	螺栓 M12×25	BOLT M12×25	8	
10	30601000002	CDM606.01.08A	底座	UNDERFRAME	1	
11	51401130122	GB/T93	垫圈16	WASHER 16	8	
12	51307001319	GB/T6170	螺母 M16	NUT M16	4	
13	51204101622	GB/T5783	螺栓 M10×50	BOLT M10×50	2	
14	51204133722	GB/T5783	螺栓 M16×40	BOLT M16×40	4	
15	30601000009	CDM606.01.05A	支座	SUPPORT	1	
16	51204101222	GB/T5783	螺栓 M10×30	BOLT M10×30	27	
17	51401100122	GB/T93	垫圈10	WASHER 10	39	
18	51421100121	GB/T97.1	垫圈10	WASHER 10	43	
19	30601000011	CDM606.01.14C	支座	SUPPORT	1	
20	60911010057	Q/GHXF23	胶管8×15.5×800	HOSE 8×15.5×800	1	
21	60911010053	Q/GHXF23	胶管8×15.5×850	HOSE 8×15.5×850	1	
22	30601000017	CDM606.01.20	接头	HINGED CONNECTOR	1	
23	30601100076	CDM606.01-23	铰接螺栓	LINK BOLT	1	
24	60980000251	14JB982-77	垫圈	WASHER	2	
25	56145004305	GB/T3452.1	O形圈15×1.8	O-RING 15×1.8	1	
26	30601100077	CDM606.01-25	接头	JOINTS	1	
27	60101100002	129065-55750	燃油预滤器	FUEL FILTER	1	
28	30601000001	CDM606.01.21	支架	BRACKET	1	
29	30601100002	CDM606.01-17	垫片	WASHER	4	

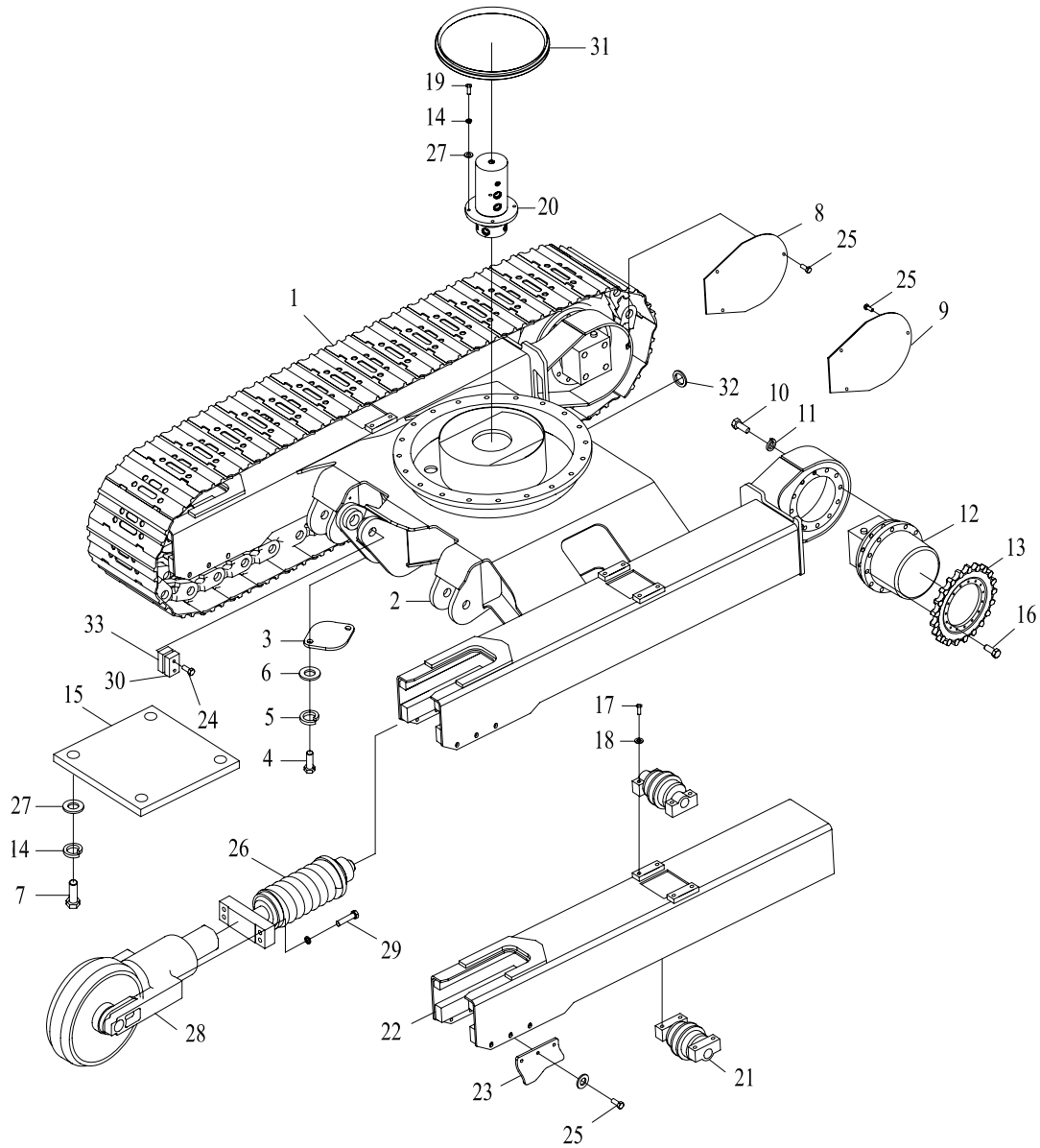
3 发动机 III ENGINE III



03 发动机 III ENGINE III

序号 NO.	代码 S.C	代号 CODE	零件名称 PART NAME	PART NAME 零件名称	数量 QTY	备注 NOTE
1	56902001702	DIN3017-1	卡箍 A-60~80/9	CLAMP A-60~80/9	2	
2	30601000019	CDM606.01.01.01	副水箱总成	AUXILIARY WATER TANK ASS'Y	1	
3	60911013237	HG/T2491	胶管 8×12×850	HOSE 8×12×850	1	
4	56932000101	QC/T621	卡箍 B-10/8	CLAMP B-10/8	2	
5	30601100071	CDM606.01.01-04	防护胶圈	PROTECT RUBBER CUSHION	1	
6	30601000008	CDM606.01.01.06A	支架	BRACKET	1	
7	30601100097	LG6065.01A.01-04	后隔热板	THERMAL BAFFLE, REAR	1	
8	51421080121	GB/T97.1	垫圈6	WASHER 6	4	
9	51204080822	GB/T5783	螺栓 M6×12	BOLT M6×12	4	
10	30601100096	LG6065.01A.01-03	垫块	BLOCK	1	
11	60922010009	8065.208.0000	减震垫总成	SHOCK PAD ASS'Y	2	
12	51421110121	GB/T97.1	垫圈12	WASHER 12	4	
13	51204111822	GB/T5783	螺栓 M12×60	BOLT M12×60	4	
14	60102000001	4973.002.0000	散热器	RADIATOR ASS'Y	1	
15	51204091122	GB/T5783	螺栓 M8×25	BOLT M8×25	2	
16	60911013235	HG/T2491	胶管8×12×740	HOSE 8×12×740	1	
17	30601100078	LG6065.01A.01-01	上隔热板	THERMAL BAFFLE, UPPER	1	
18	60911013569	HG/T2491	胶管8×12×650	HOSE 8×12×650	1	
19	56500003502	QC/T390	卡箍 A-11~14	CLAMP A-11~14	2	
20	30601100100	LG6065.01A.01-10	前隔热板	THERMAL BAFFLE, FRONT	1	
21	60911010056	Q/GHXF23	胶管8×15.5×460	HOSE 8×15.5×460	1	
22	56902001602	DIN3017-1	卡箍 A-10~16/9	CLAMP A-10~16/9	11	
23	60308000339	119802-55700	油水分离器	WATER SEPARATOR	1	
24	60301000001	119225-52102	输油泵	OIL DELIVERY PUMP	1	
25	51204082422	GB/T5783	螺栓 M6×15	BOLT M6×15	3	
26	51401080122	GB/T93	垫圈 6	WASHER 6	3	
27	30601100044	CDM606.01-05B	固定板	MOUNTING PLATE	1	
28	60911013563	Q/GHXF23	胶管6×13×550	HOSE 6×13×550	1	
29	60911010054	Q/GHXF23	胶管8×15.5×3000	HOSE 6×15.5×3000	1	

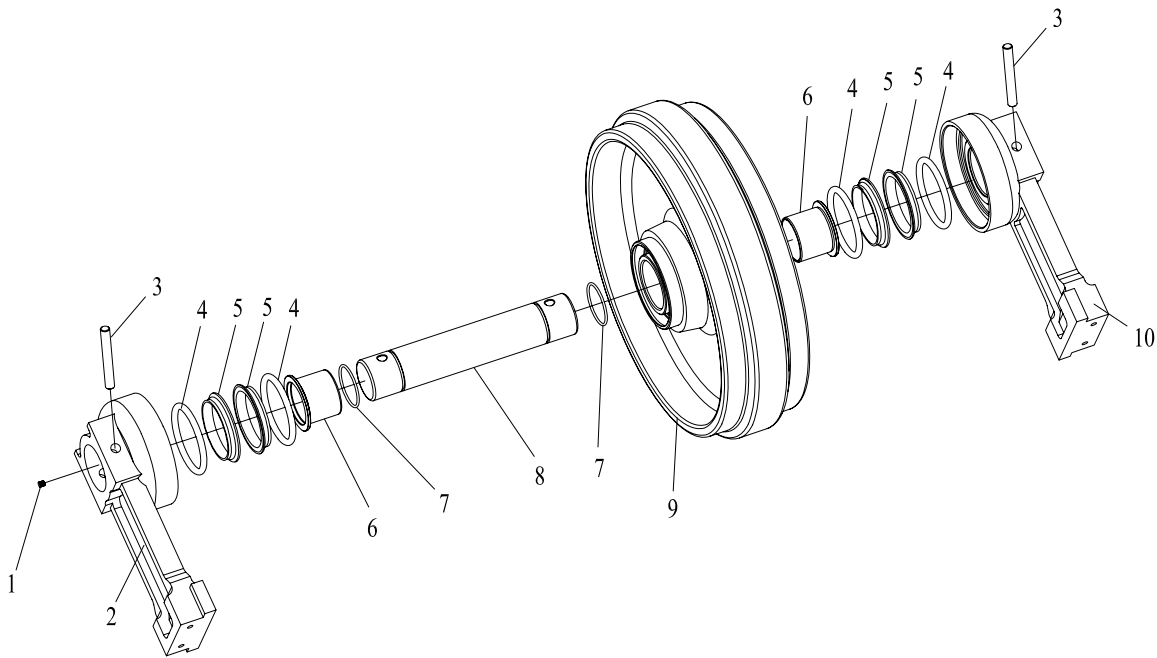
04 下车总成 UNDERCARRIAGE ASS'Y



04 下车总成
UNDERCARRIAGE ASS'Y

序号 NO.	代码 S.C	代号 CODE	零件名称 PART NAME	PART NAME 零件名称	数量 QTY	备注 NOTE
1	17500605003	LGWL060	履带总成 (39 节)	TRACK ASS'Y	2	39 JOINTS
2	30613000013	LG6065.13A.01	行走架总成	TRACK FRAME ASS'Y	1	
3	30613100031	CDM606.13-05	油池放油口盖板	GREASE COVERING	1	
4	51204081022	GB/T5783	螺栓 M6×20	BOLT M6×20	2	
5	51401080107	GB/T93	垫圈 6	WASHER 6	2	
6	51421080115	GB/T97.1	垫圈 6	WASHER 6	2	
7	51204101022	GB/T5783	螺栓 M10×20	BOLT M10×20	8	
8	30613000009	CDM606.13.03	行走减速机右盖板	TRAVEL REDUCTOR COVER R.H.	1	
9	30613000010	CDM606.13.04	行走减速机左盖板	TRAVEL REDUCTOR COVER L.H.	1	
10	51204121422	GB/T5783	螺栓 M14×40	BOLT M14×40	24	
11	51427100422	GB/T1230	垫圈 14	WASHER 14	48	
12	16954037001	JXD037.00	行走马达及减速机总成	TRAVEL MOTOR ASS'Y	2	
13	17500601003	LGWQ060	驱动轮	DRIVING WHEEL	2	
14	51401100107	GB/T93	垫圈 10	WASHER 10	8	
15	30613100030	CDM606.13-03	回转中心下方盖板	BOTTOM COVER, SWING CENTER	1	
16	51204133018	GB/T5783	螺栓 M14×45	BOLT M14×45	24	
17	51203111918	GB/T5782	螺栓 M12×65	BOLT M12×65	48	
18	51427110122	GB/T1230	垫圈 12	WASHER 12	68	
19	51204101222	GB/T5783	螺栓 M10×30	BOLT M10×30	4	
20	60911010033	8ZW II 14LKG1	中央回转接头	CENTRAL SWING CONNECTOR	1	
21	17500602003	LGWZ060	支重轮总成	TRACK ROLLER ASS'Y	12	
22	30613100019	CDM606.13-01	链轨右侧护板	TRACK GUARD R.H.	2	
23	30613100020	CDM606.13-02	链轨左侧护板	TRACK GUARD L.H.	2	
24	51203102021	GB/T5782	螺栓 M10×70	BOLT M10×70	4	
25	51204111322	GB/T5783	螺栓 M12×35	BOLT M12×35	12	
26	60206000004	ZJOC-SHLG-00	涨紧装置	IDLER CUSHION ASS'Y	2	
27	51421100121	GB/T97.1	垫圈 10	WASHER 10	16	
28	60206000200	LGWY060	引导轮总成	FRONT IDLER ASS'Y	2	
29	51210115815	GB/T5785	螺栓 M12×1.25×60	BOLT M12×1.25×60	8	
30	30613100048	LG6065.13-02	压板	PRESS PLATE	2	
31	30613100503	CDM606.13-08	橡胶圈	RUBBER GASKET	1	
32	30613100502	CDM606.13-04	橡胶圈	RUBBER GASKET	4	
33	30613100063	LG6065.13-01	管夹	PIPE CLAMP	4	

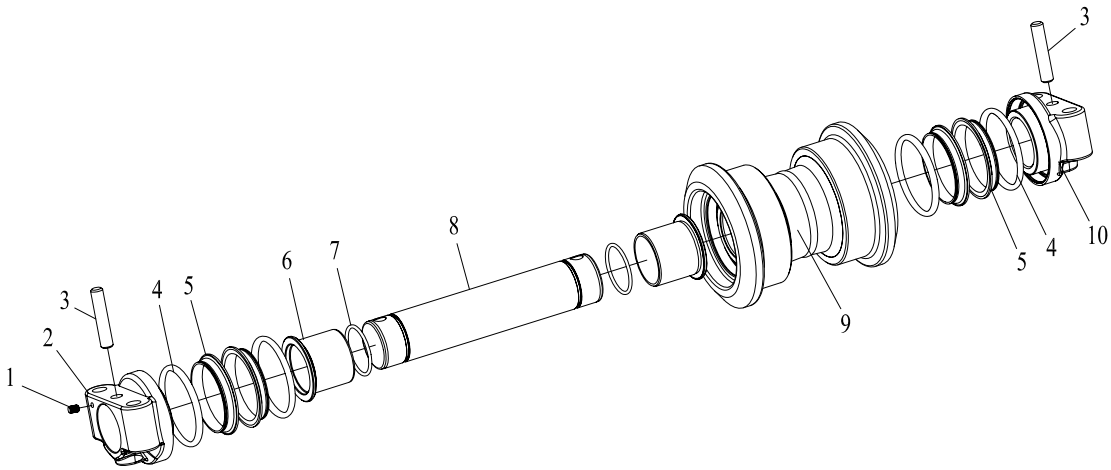
05 引导轮总成
FRONT IDLER ASS'Y



05 引导轮总成
FRONT IDLER ASS'Y

序号 NO.	代码 S.C	代号 CODE	零件名称 PART NAME	PART NAME 零件名称	数量 QTY	备注 NOTE
1		LGWZ085-06	螺塞 R1/8×7	PLUG SCREW R1/8×7	1	
2		LGWY060-03	引导轮支座1	SUPPORT FRONT IDLER 1	1	
3		GB/T119.1-2000	圆柱销12×80	PIN12×80	2	
4			O形圈76×9.5	O-RING76×9.5	4	
5		LGWY060-04	浮封环	FLOATING SEAL	4	
6		LGWY060-05	轴套	BUSHING	2	
7		C00204-A0	O形圈44.4×3.1	O-RING44.4×3.1	2	
8		LGWY060-02	引导轮轴	SHAFT FRONT IDLER	1	
9		LGWY060-01	引导轮轮体	FRONT IDLER BODY	1	
10		LGWY060-06	引导轮支座2	SUPPORT FRONT IDLER 2	1	

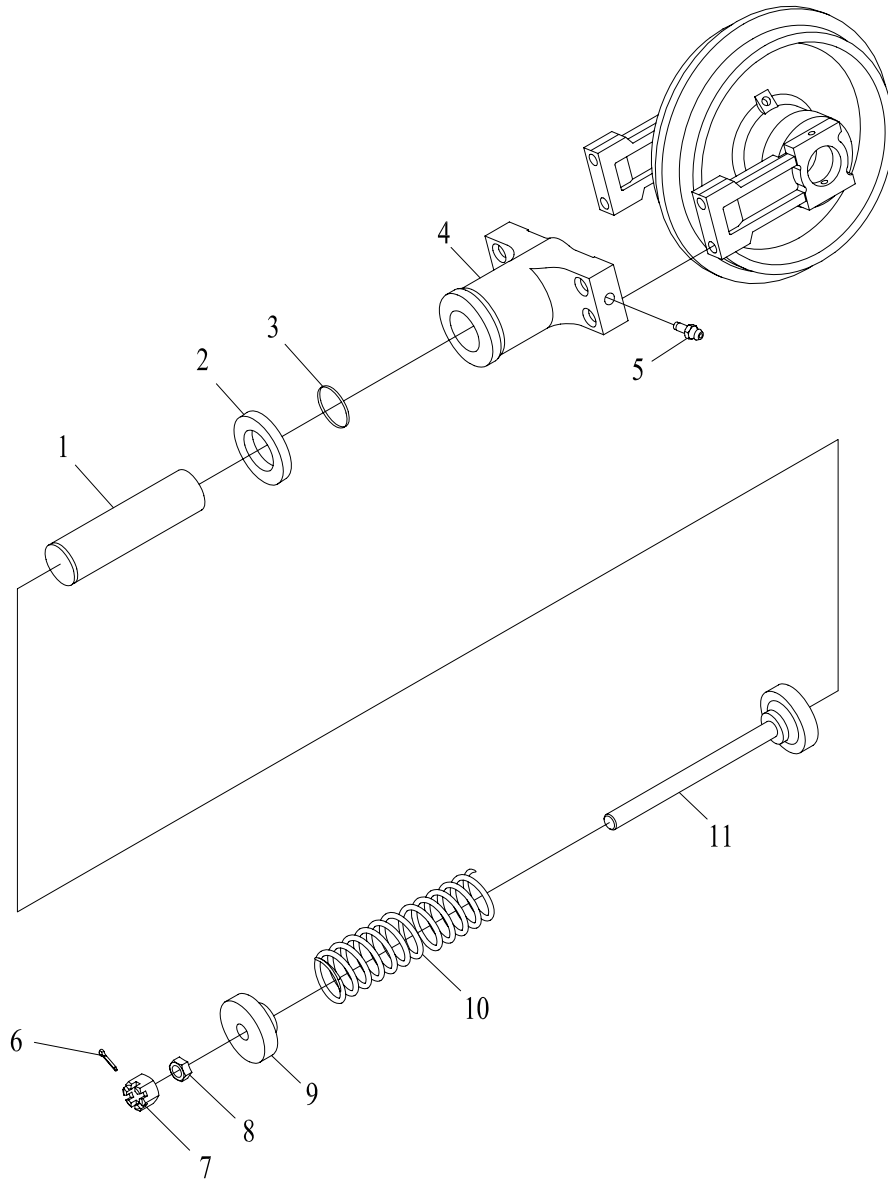
06 支重轮总成
TRACK ROLLER ASS'Y



06 支重轮总成
TRACK ROLLER ASS'Y

序号 NO.	代码 S.C	代号 CODE	零件名称 PART NAME	PART NAME 零件名称	数量 QTY	备注 NOTE
1		LGWZ085-06	螺塞 R1/8×7	PLUG SCREW R1/8×7	1	
2		LGWZ060B-01	浮动油封座1	SEAT FLOATING SEAL 1	1	
3		GB/T119.1-2000	圆柱销10×55	PIN10×55	2	
4			O形圈68×7.8	O-RING68×7.8	4	
5		LGWT210-03	浮封环	FLOATING SEAL	4	
6		LGWZ060B-03	轴套	BUSHING	2	
7		C00046-A1	O形圈35.7×3.5	O-RING44.4×3.1	2	
8		LGWZ060B-04	直轴	SHAFT	1	
9		LGWZ060B.01	轮体焊合	TRACK ROLLER BODY	1	
10		LGWZ060B-02	浮动油环座2	SEAT FLOATING SEAL 2	1	

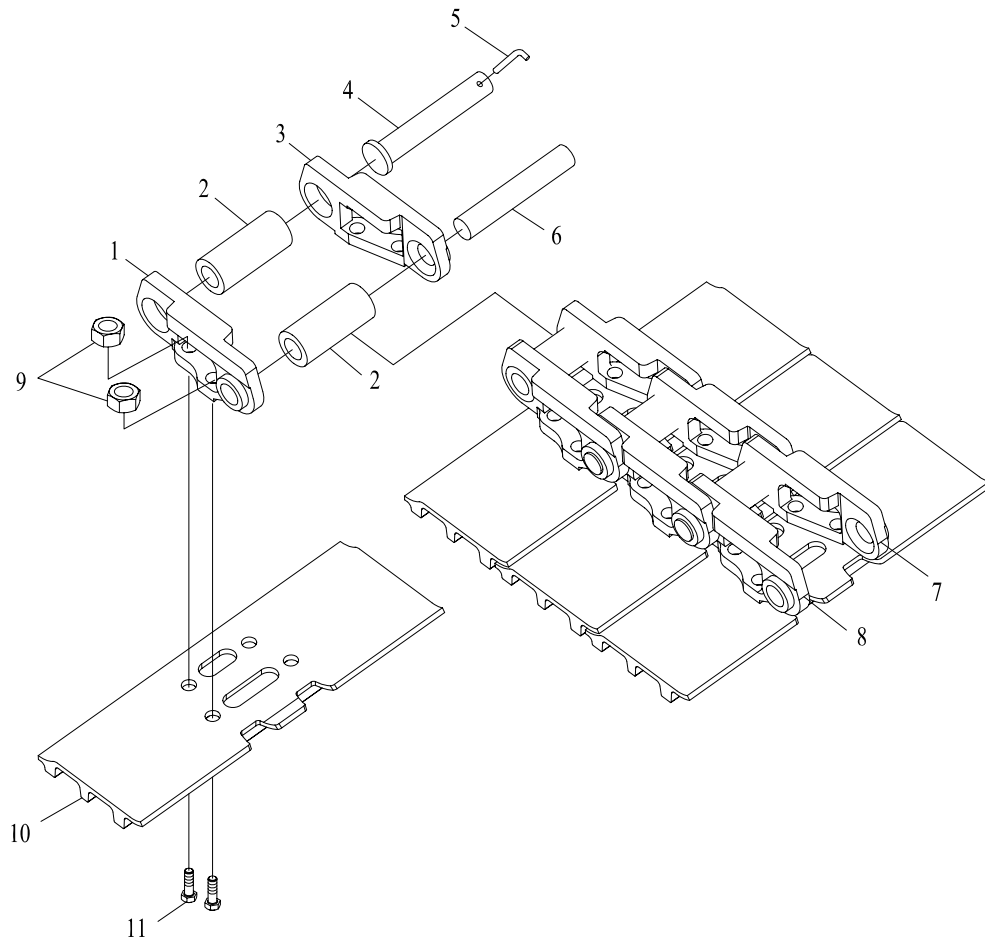
07 涨紧装置总成
IDLER CUSHION ASS'Y



07 涨紧装置总成
IDLER CUSHION ASS'Y

序号 NO.	代码 S.C	代号 CODE	零件名称 PART NAME	PART NAME 零件名称	数量 QTY	备注 NOTE
1		ZJ12A00-1001	活塞	PISTON	1	
2		ZJ12E00-1003	防尘圈	DUST SEAL	1	
3		ZJ12E00-1004	密封圈	SEAL RING	1	
4		ZJ12E00-1002	缸体	CYLINDER BLOCK	1	
5		FYZ2D00-00	注油阀	GREASE FITTING	1	
6		GB91	开口销	COTTER PIN	1	
7		ZJ12A00-2004	六角开槽螺母	NUT	1	
8		ZJ12A00-2003	六角螺母	NUT	1	
9		ZJ12A00-2002	弹簧座	SPRING SEAT	1	
10		ZJ12A00-2001	弹簧	SPRING	1	
11		ZJ12L00-2100	拉杆	DRAG LINK	1	

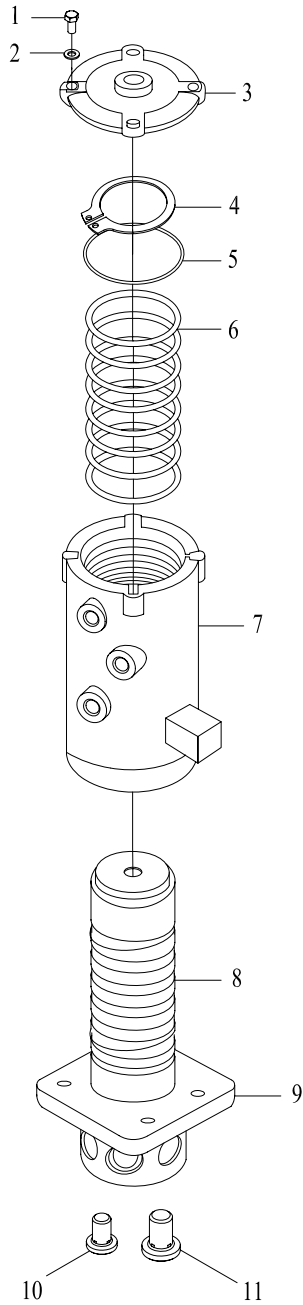
08 履带 TRACK SHOE



08 履带
TRACK SHOE

序号 NO.	代码 S.C	代号 CODE	零件名称 PART NAME	PART NAME 零件名称	数量 QTY	备注 NOTE
1		LGWL060-03	左链节接头	JOINT LINK TRACK L.H	1	
2		LGWL060-05	销套	BUSHING	2	
3		LGWL060-04	右链节接头	JOINT LINK TRACK R.H	1	
4		LGWL060-06	活销	PIN	1	
5		LGWL060-07	挡销	BACKING PIN	1	左右履带各一个
						ONE EACH IN LEFT
						& RIGHT TRACK
6		LGWL060-08	销轴	PIN	1	
7		LGWL060-02	右链节	LINK TRACK R.H	1	
8		LGWL060-01	左链节	LINK TRACK L.H	1	
9		LGWL060-11	螺母 M12×1.5	NUT M12×1.5	4	
10		LGWL060-09	履带板 L=400	TRACK SHOEL=400	1	
11		LGWL060-10	螺栓 M12×1.5×35	BOLT M12×1.5×35	4	

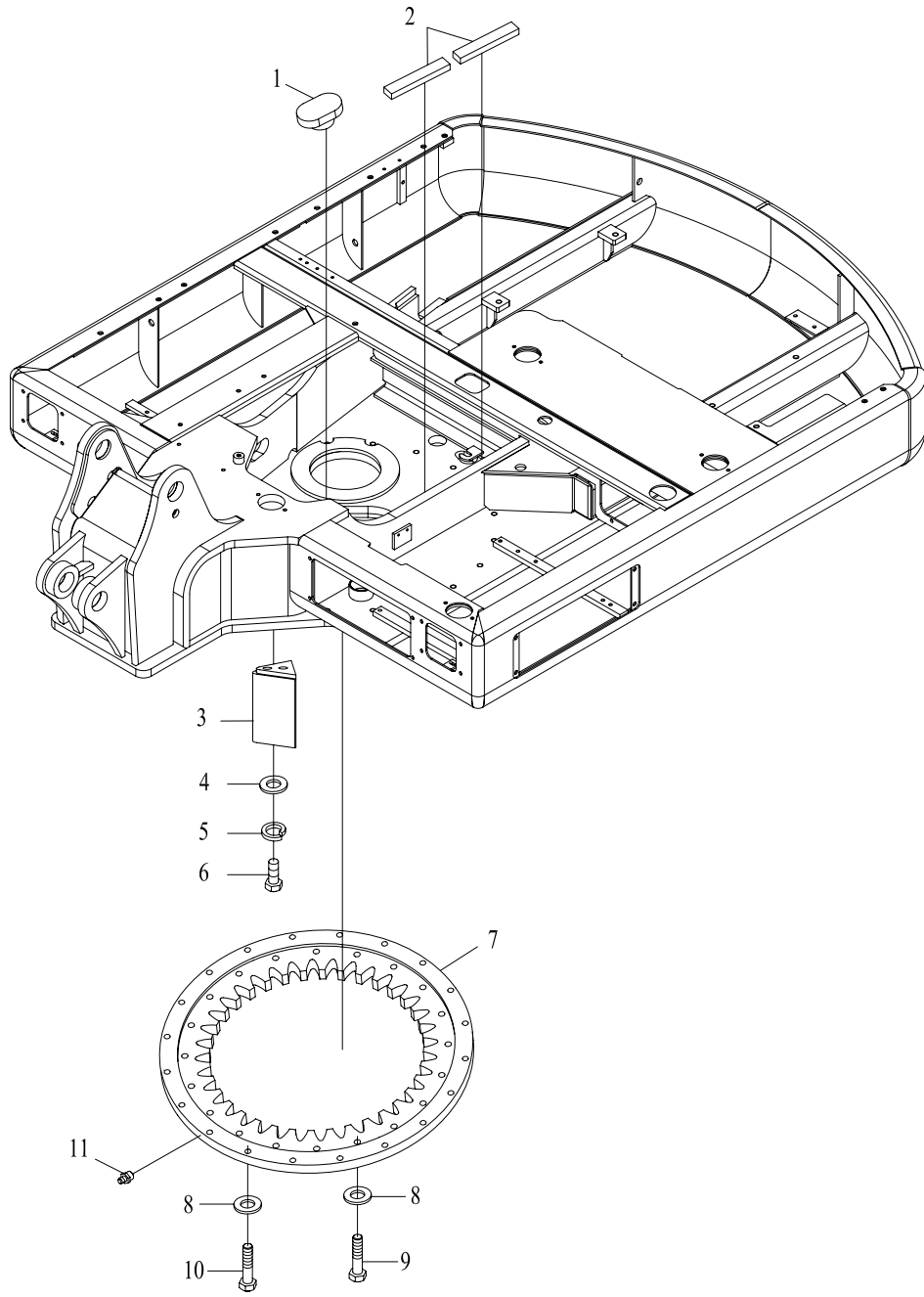
09 中央回转接头 CENTRAL SWING CONNECTOR



09 中央回转接头
CENTRAL SWING CONNECTOR

序号 NO.	代码 S.C	代号 CODE	零件名称 PART NAME	PART NAME 零件名称	数量 QTY	备注 NOTE
1		GB/T5782-86	螺钉 M8×30	BOLT M8×30	4	
2		GB/T93-87	垫圈8	WASHER 8	4	
3		WY3.5-07	端盖	END CAP	1	
4		WY3.5-06	挡圈	RETAINER	1	
5		GB/T1235-76	O形圈Φ90×3.1	O-RINGΦ90×3.1		
6			旋转密封圈Φ70×Φ80×3.1	ROATRY SEAL Φ70×Φ81×3.1	9	
7		850-050-4020a	配油座	DISTRIBUTING SEAT	1	
8		850-050-4010a	配油轴	DISTRIBUTING SHAFT	1	
9		WY3.5-04	定位板	LOCATING BOARD	1	
10		WY3.5-01	螺堵 M16×1.5	PLUG SCREW M16×1.5	4	
11		WY3.5-02B	螺堵 M16×1.25	PLUG SCREW M16×1.25	3	

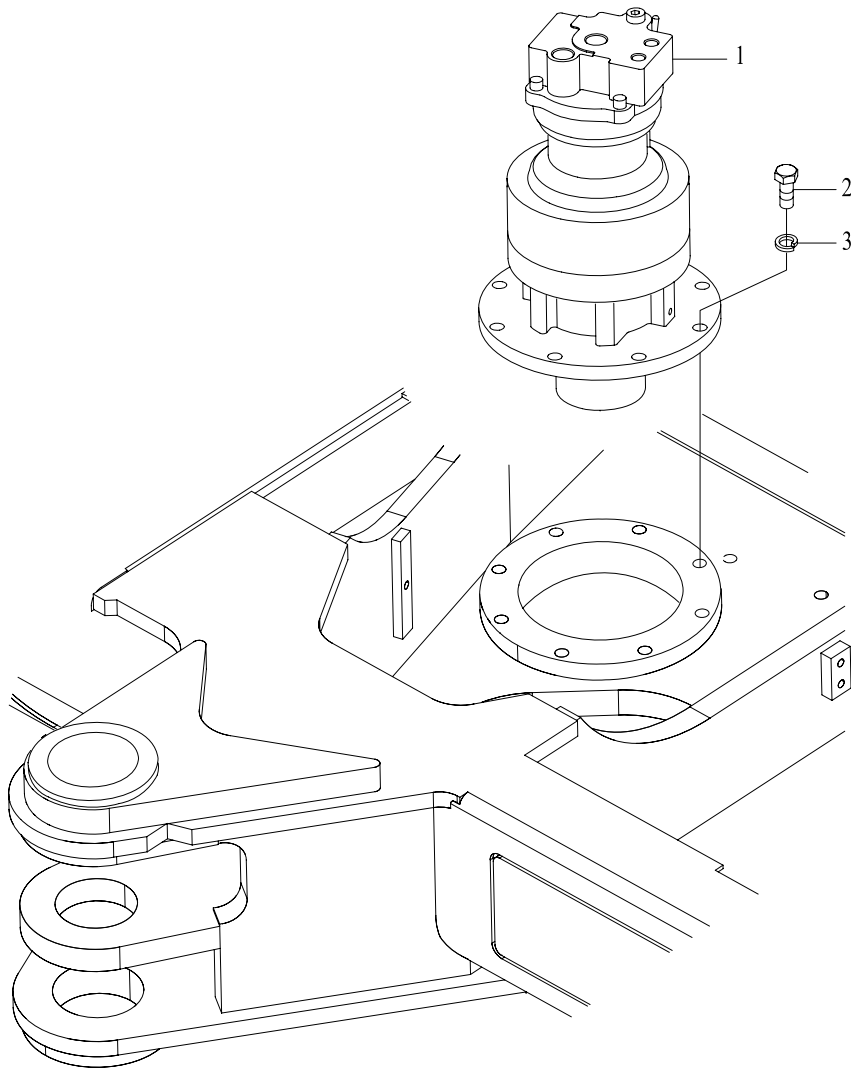
10 回转支承 SWING CIRCLE



10 回转支撑
SWING CIRCLE

序号 NO.	代码 S.C	代号 CODE	零件名称 PART NAME	PART NAME 零件名称	数量 QTY	备注 NOTE
1	60902000001	30D-0800053	橡皮塞	RUBBER PLUG	1	
2	30612100135	CDM606.12-01	橡胶条	RUBBER STRIP	2	
3	30612000003	CDM606.12.02	刮油板	OIL WIPER PLATE	1	
4	51421110121	GB/T97.1	垫圈12	WASHER 12	5	
5	51401110122	GB/T93	垫圈12	WASHER 12	5	
6	51204111322	GB/T5783	螺栓 M12×35	BOLT M12×35	5	
7	60206100002	QND760.22Z-01	回转支承	SWING CIRCLE	1	
8	51427130122	GB/T1230	垫圈16	WASHER 16	40	
9	51207131820	GB/T5786	螺栓 M16×1.5×60	BOLT M16×1.5×60	20	
10	51210133620	GB/T5785	螺栓 M16×1.5×85	BOLT M16×1.5×85	20	
11	56201000501	JB/T7940.1	油杯 PT1/8	GREASE FITTING PT1/8	2	

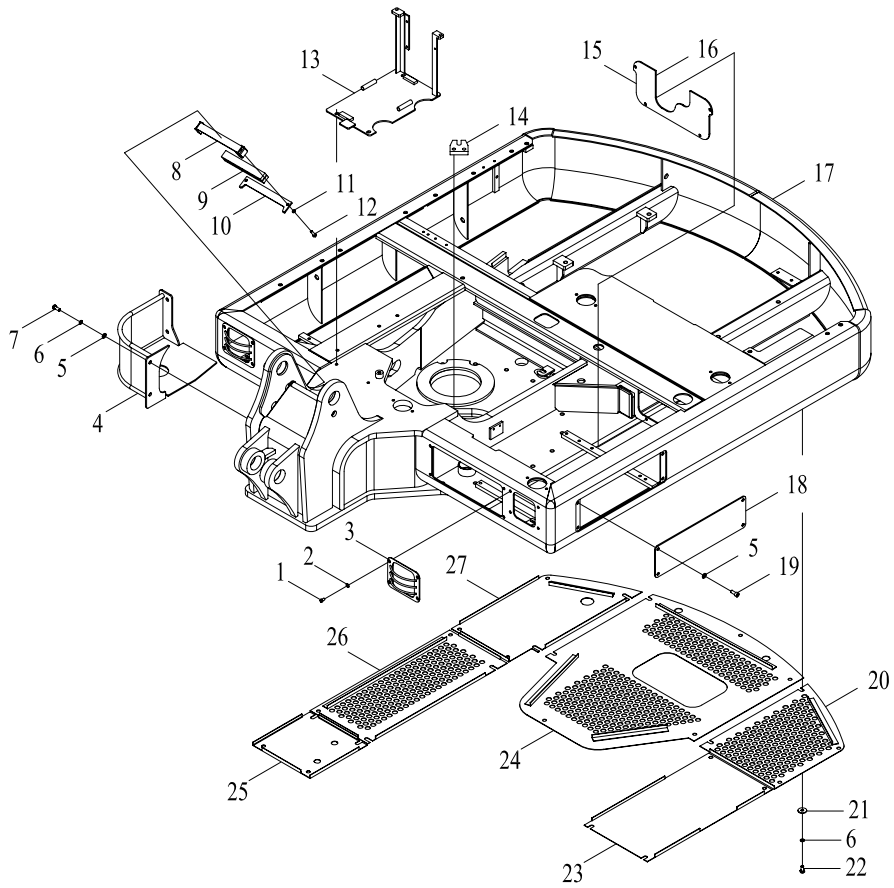
11 回转驱动装置 SWING DRIVING SYSTEM



11 回转驱动装置
SWING DRIVING SYSTEM

序号 NO.	代码 S.C	代号 CODE	零件名称 PART NAME	PART NAME 零件名称	数量 QTY	备注 NOTE
1	16952029001	JHD029.00	回转马达及减速机总成	SWING REDUCTOR ASS'Y	1	
2	51210131620	GB/T5785	螺栓 M16×1.5×50	BOLT M16×1.5×50	7	
3	51421130121	GB/T97.1	垫圈16	WASHER16	1	

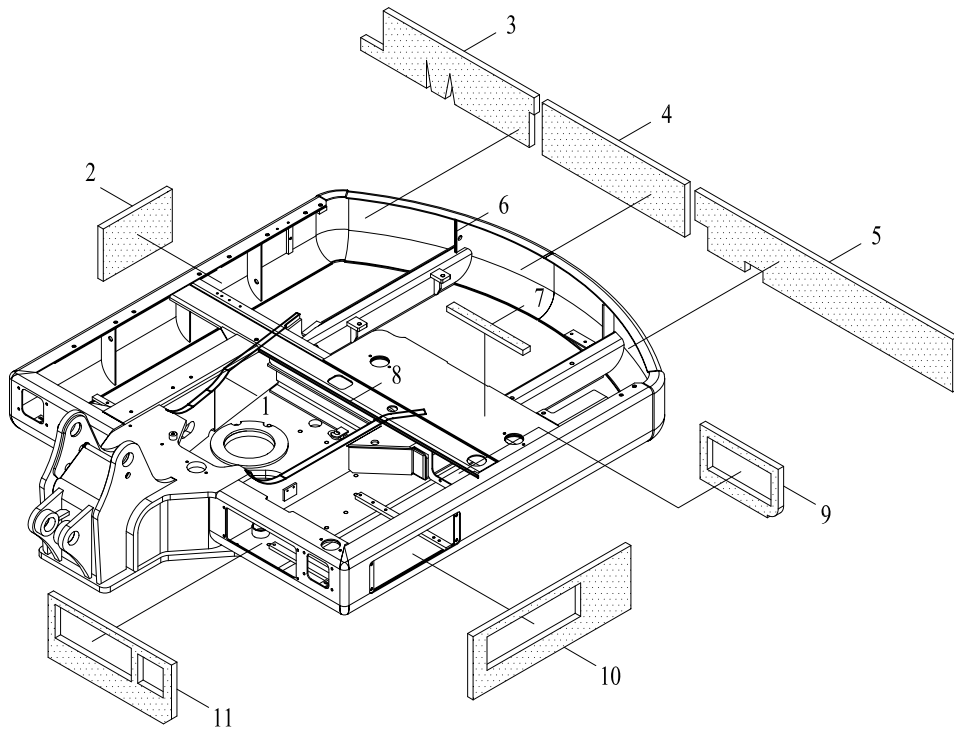
12 平台总成 I PLATFORM ASS'Y I



12 平台总成 I
MAIN VALVE I

序号 NO.	代码 S.C	代号 CODE	零件名称 PART NAME	PART NAME 零件名称	数量 QTY	备注 NOTE
1	51158210310	GB/T818	螺钉 M8×14	SCREW M8×14	8	
2	51421090121	GB/T97.1	垫圈8	WASHER 8	12	
3	30612000018	CDM606.12.09	灯罩	LAMP SHADE	2	
4	30612000007	LG606.12.05	黄油桶支座	GREASE BUCKET BRACKET	1	
5	51421100121	GB/T97.1	垫圈10	WASHER 10	11	
6	51401100122	GB/T93	垫圈10	WASHER 10	34	
7	51204101122	GB/T5783	螺栓 M10×25	BOLT M10×25	4	
8	30612000006	LG606.12.04	压板	PRESS PLATE	1	
9	30619100000	CDM606.19-09	橡胶管卡	RUBBER PIPE CLIP	1	
10	30612100076	LG606.12-01	板	PLATE	1	
11	51401090122	GB/T93	垫圈8	WASHER 8	6	
12	51204091222	GB/T5783	螺栓 M8×30	BOLT M8×30	6	
13	30612000015	CDM606.12.04	电瓶架	BATTERY BRACKET	1	
14	30612100130	CDM606.12-17	限位板	STOP PLATE	1	
15	30612000002	LG6065.12.05	封板	SEAL PLATE	1	
16	60919010023	WE004	骨架条 L1100	SEALING JOINT STRIP	1	
17	30612000030	LG6065.12.01	平台	PLATFORM	1	
18	30612100009	CDM606.12-14	板	PLATE	1	
19	51140220605	GB/T70.2	螺钉 M10×25	SCREW M10×25	4	
20	30612000026	LG6065.12.04	盖板	COVER	1	
21	51430100115	GB/T5287	垫圈10	WASHER 10	27	
22	51204101022	GB/T5783	螺栓 M10×20	BOLT M10×20	30	
23	30612100101	CDM606.12-16	板	PLATE	1	
24	30612000025	LG6065.12.03	盖板	COVER	1	
25	30612100102	LG606.12-02	盖板	COVER	1	
26	30612000004	CDM606.12.05	盖板	COVER	1	
27	30612000024	LG6065.12.02	盖板	COVER	1	

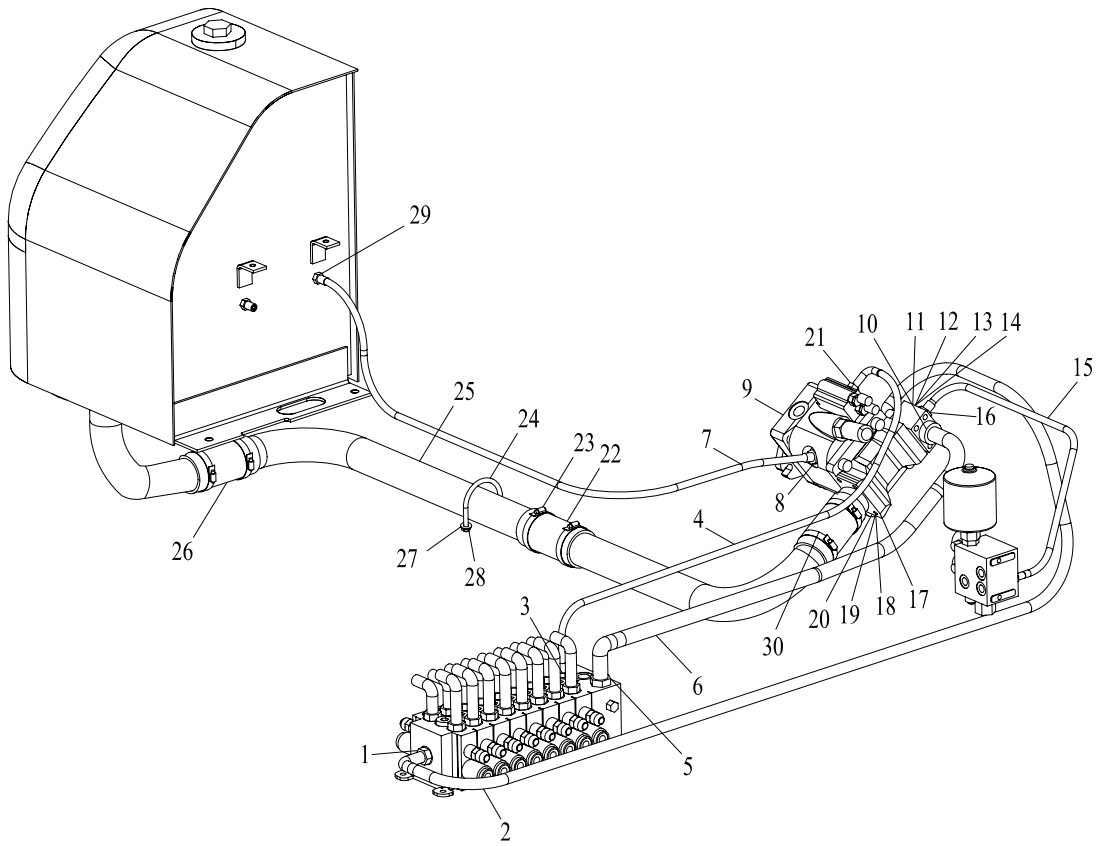
13 平台总成 II
PLATFORM ASS'Y II



13 平台总成 II
MAIN VALVE II

序号 NO.	代码 S.C	代号 CODE	零件名称 PART NAME	PART NAME 零件名称	数量 QTY	备注 NOTE
1	30612100136	CDM606.12-10	橡胶条	RUBBER STRIP	2	
2	30612100159	CDM606.12-03	海绵	SPONGE	1	
3	30612100169	LG6065.12-02	海绵	SPONGE	1	
4	30612100161	CDM606.12-05	海绵	SPONGE	1	
5	30612100170	LG6065.12-03	海绵	SPONGE	1	
6	60919010024	WE004	骨架条 L150	SEALING JOINT STRIP L150	1	
7	30612100165	CDM606.12-09	海绵	SPONGE	1	
8	60919010022	WE004	骨架条 L1000	SEALING JOINT STRIP L1000	1	
9	30612100162	CDM606.12-06	海绵	SPONGE	1	
10	30612100163	CDM606.12-07	海绵	SPONGE	1	
11	30612100168	LG6065.12-01	海绵	SPONGE	1	

14 主泵管路 MAIN PUMP LINES

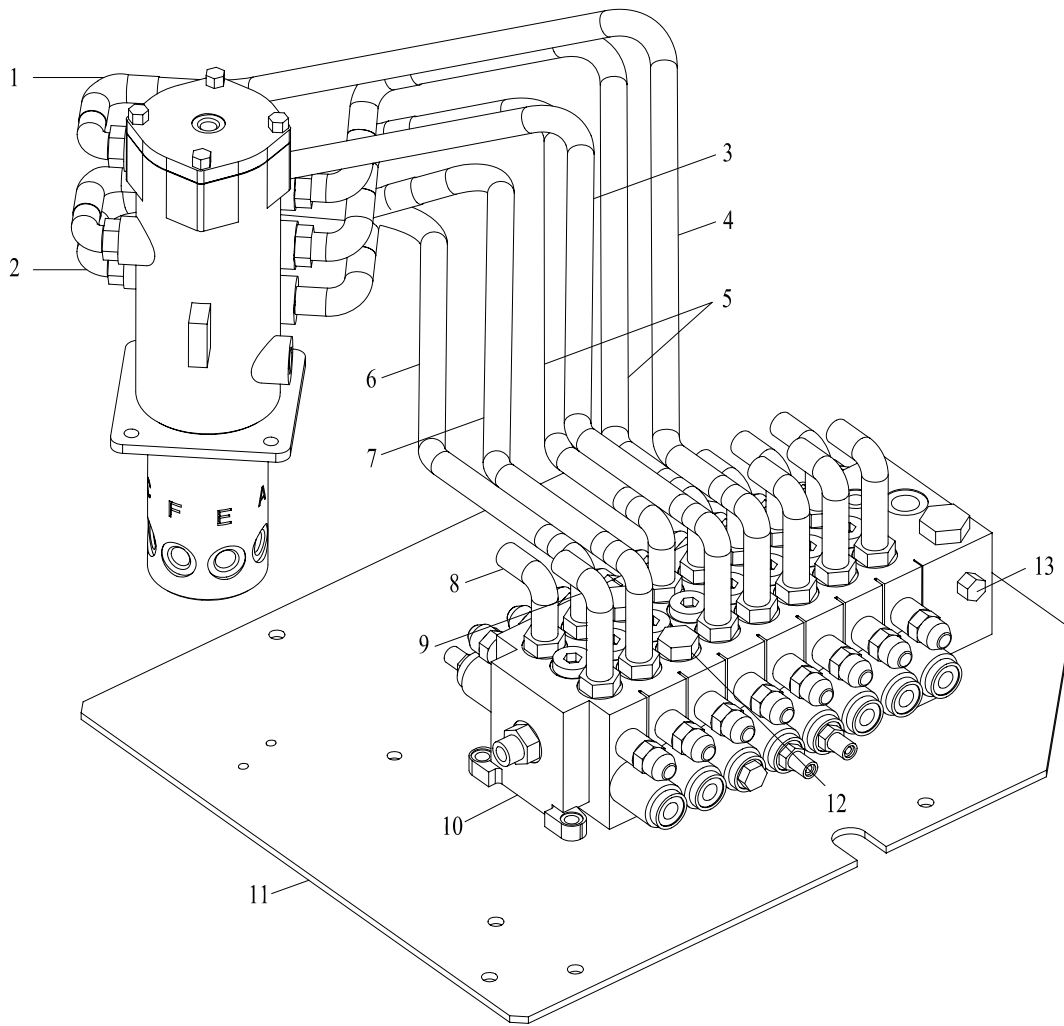


14 主泵管路

MAIN PUMP LINES

序号 NO.	代码 S.C	代号 CODE	零件名称 PART NAME	PART NAME 零件名称	数量 QTY	备注 NOTE
1	60911010009	1B-08WD	直通接头	STRAIGHT CONNECTOR	2	
2	17272000425	F381CFCF151508- 2100-270°-PG500	软管总成	HOSE ASS'Y	1	
3	60911010002	1B-04WD	直通接头	STRAIGHT CONNECTOR	1	
4	17272000424	F381CFCF080804- 1350-270°-PG500	软管总成	HOSE ASS'Y	1	
5	60911010026	2F9-12	直角接头	RIGHT ANGLE CONNECTOR	1	
6	17272000072	F371C91C202012- 1200	软管总成	HOSE ASS'Y	1	
7	17272000078	F481CFCF151508- 2100-0°-PG500	软管总成	HOSE ASS'Y	1	
8	60911010021	1BO-08-10	直通接头	STRAIGHT CONNECTOR	1	
9	16856063001	ZB063.00	柱塞泵总成	MAIN PUMP ASS'Y	1	
10	60911010022	1FG-12ED	直通接头	STRAIGHT CONNECTOR	2	
11	30605100048	CDM606.05.01-01	出油接头	CONNECTOR, DRAIN PORT	1	
12	30605100048	GB/T70.1	螺钉 M10×80	SCREW M10×80	4	
13	51401100122	GB/T93	垫圈10	WASHER 10	4	
14	56145009505	GB/T3452-1	O形圈Φ35.5×3.55	O-RING Φ35.5×3.55	1	
15	17272004918	F381CACF101005- 550	软管总成	HOSE ASS'Y	1	
16	60911010003	1B-06-04WD	直通接头	STRAIGHT CONNECTOR	1	
17	30605000019	CDM606.05.01.01A	吸油接头	CONNECTOR, SUCTION PORT	1	
18	51139230308	GB/T70.1	螺钉 M12×30	SCREW M12×30	4	
19	51401110122	GB/T93	垫圈12	WASHER 12	10	
20	56900000503	AS568	O形圈56.74×3.53	O-RING Φ56.74×3.53	1	
21	60911010020	1BO-04	直通接头	STRAIGHT CONNECTOR	1	
22	60911013252	Q/GHXF39	胶管Φ58-180	HOSE Φ58-180	1	
23	60911010001	729900070	不锈钢卡箍Φ57-79	STAINLESS STEEL CLAMP Φ57-79	8	
24	30605100047	CDM606.05.01-02	U形螺栓60	U BOLT 60	3	
25	30605000004	CDM606.05.01.02A	弯管2	ELBOW PIPE 2	2	
26	60911013252	Q/GHXF39	胶管Φ58-260	HOSE Φ58-260	1	
27	51421110121	GB/T97.1	垫圈12	WASHER 12	6	
28	51301000519	GB/T41	螺母 M12	NUT M12	6	
29	60911010008	1B-08-06WD	直通接头	STRAIGHT CONNECTOR	1	
30	60911013253	Q/GHXF39	胶管Φ58-340	HOSE Φ58-180	1	

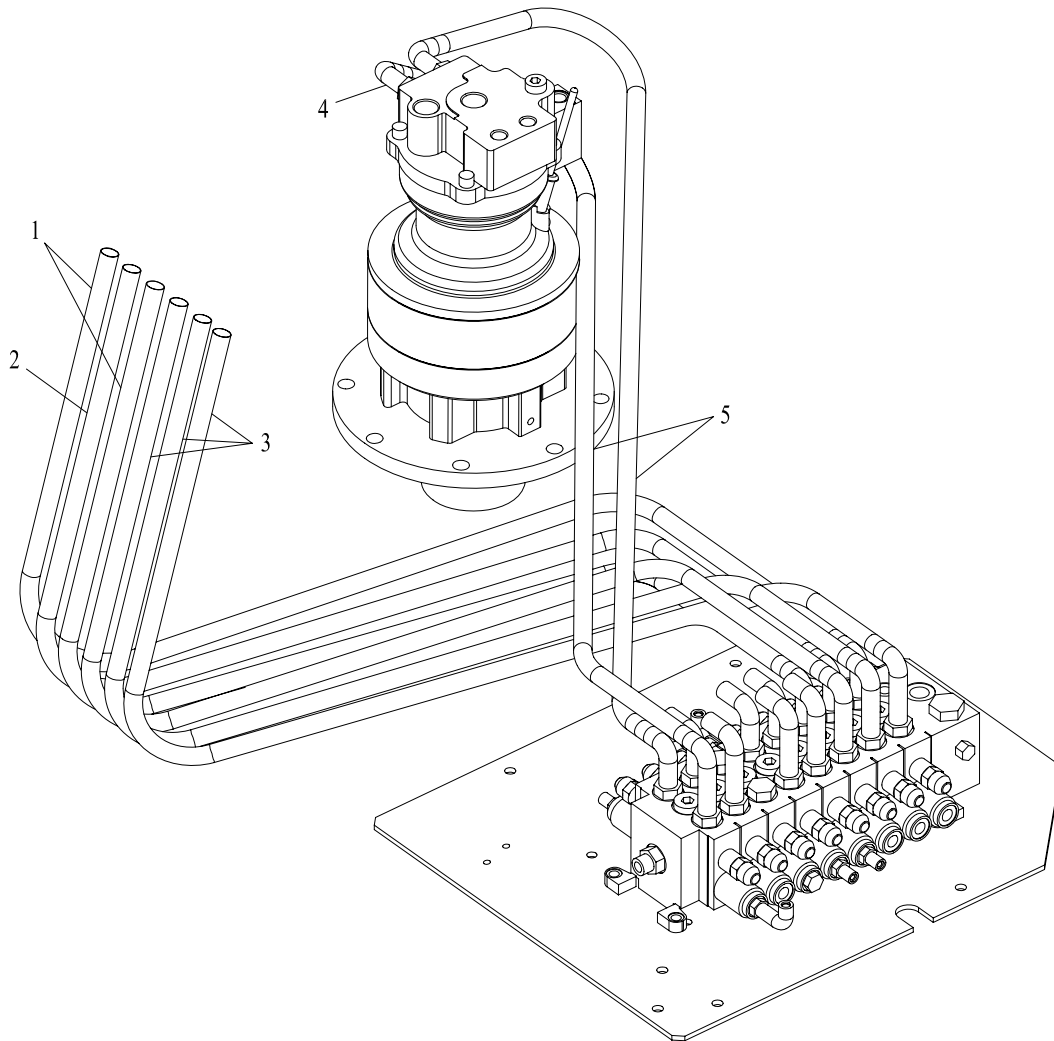
15 主阀管路 I MAIN VALVE LINES I



15 主阀管路 I
MAIN VALVE LINES I

序号 NO.	代码 S.C	代号 CODE	零件名称 PART NAME	PART NAME 零件名称	数量 QTY	备注 NOTE
1	60911010023	2B9-06	直角接头	RIGHT ANGLE CONNECTOR	3	
2	60911010017	1BG-06B2351	直通接头	STRAIGHT CONNECTOR	3	
3	17272005663	F381CECF151508- 1780-270°-PG500	胶管总成	HOSE ASS'Y	1	
4	17272004839	F381CECF151508- 1680-270°-PG500	胶管总成	HOSE ASS'Y	1	
5	17272004838	F381CACF151508- 1000-PG500	胶管总成	HOSE ASS'Y	2	
6	17272004836	F381CECF121206- 1900-270°-PG300	胶管总成	HOSE ASS'Y	1	
7	17272004837	F381CACF121206- 1150-PG300	胶管总成	HOSE ASS'Y	1	
8	60911010005	1B-06-08WD	直通接头	STRAIGHT CONNECTOR	7	
9	60911010006	1B-06-08WD/30	直通加长接头	LENGTHEN STRAIGHT CONNECTOR	7	
10	17026012021	FG012GG.00	主阀总成	MAIN VALVE ASS'Y	1	
11	30605100527	LG6065A.05.02-01	主阀底板	MAIN VALVE BOARD	1	
12	60911010100	4G-08	堵头	PLUG	2	
13	60480030001	EMA3/1/4ED	测压接头	PRESSURE CONNECTOR	1	

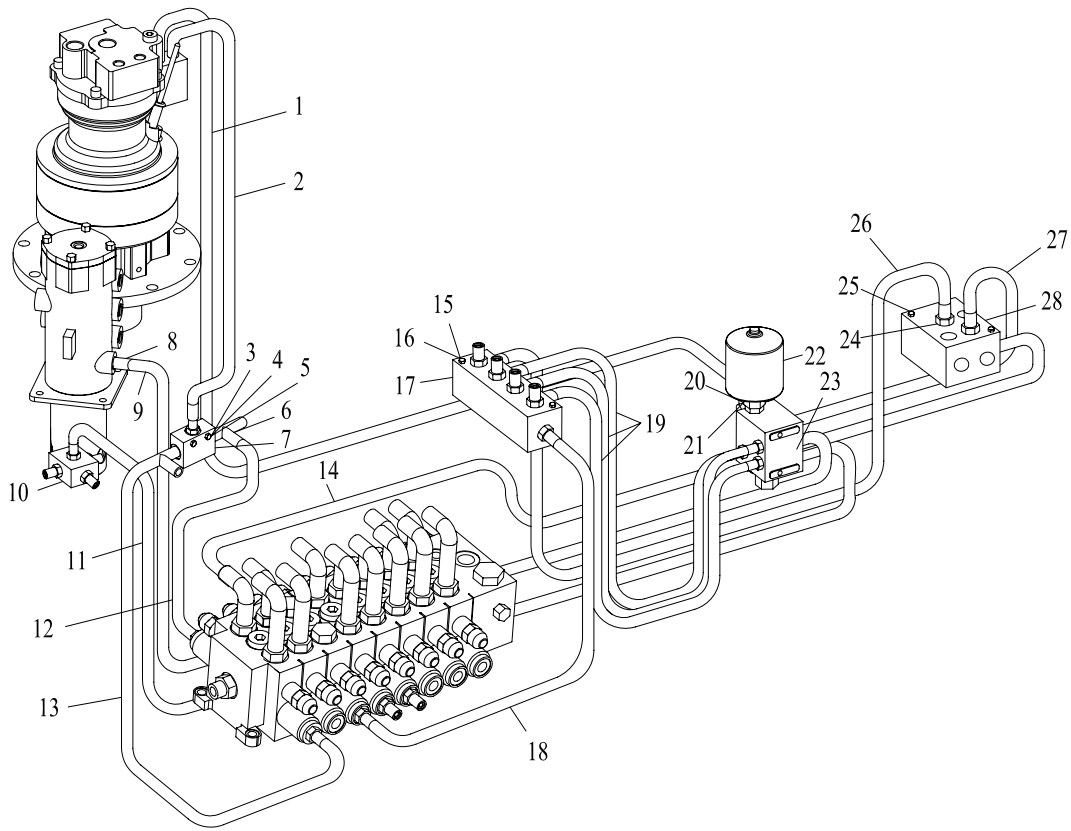
16 主阀管路 II MAIN VALVE LINES II



16 主阀管路 II
MAIN VALVE LINES II

序号 NO.	代码 S.C	代号 CODE	零件名称 PART NAME	PART NAME 零件名称	数量 QTY	备注 NOTE
1	17272000028	F381CACF151510- 2800-PG850	胶管总成	HOSE ASS'Y	2	
2	17272000026	F381CACF151508- 2800-PG850	胶管总成	HOSE ASS'Y	2	
3	17272003094	F381CACF151508- 2860-PG850	胶管总成	HOSE ASS'Y	3	
4	60911010018	1BG-08B2351	直通接头	STRAIGHT CONNECTOR	6	
5	17272000036	F381CFCF151508- 1800-180° -PG300	胶管总成	HOSE ASS'Y	2	

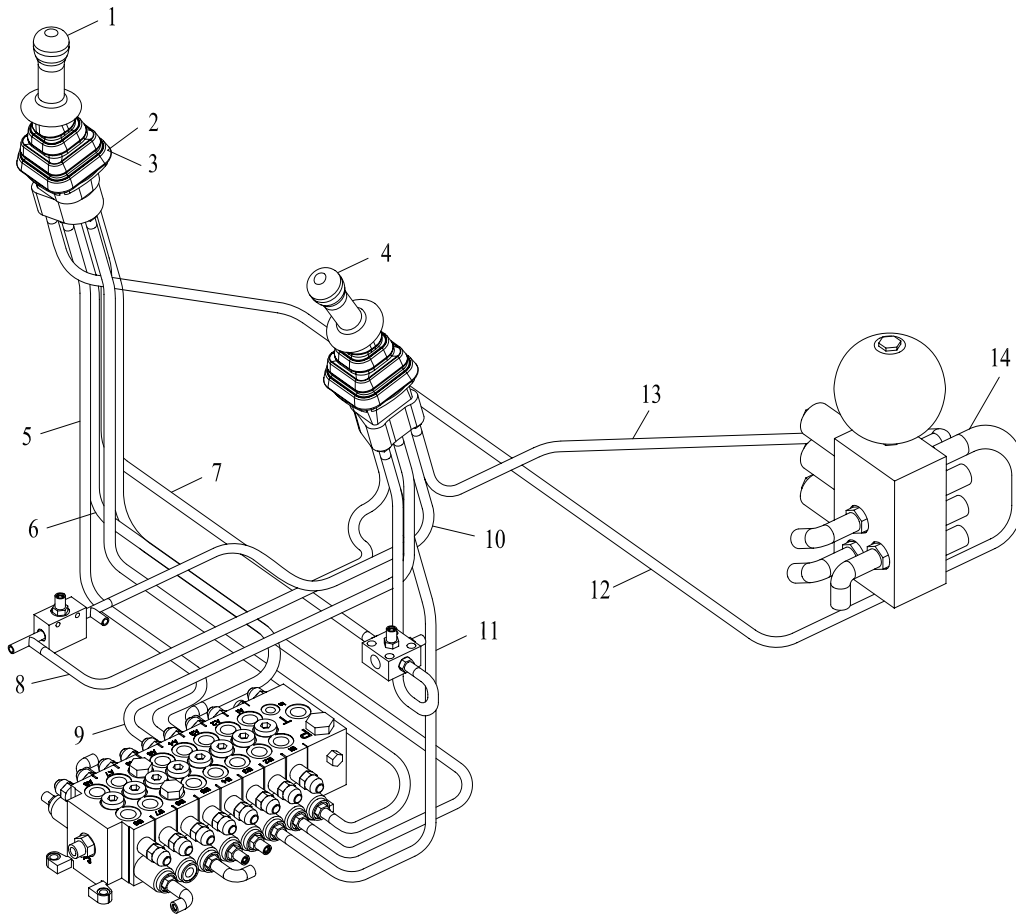
17 先导管路 PILOT LINES



17 先导管路
PILOT LINES

序号 NO.	代码 S.C	代号 CODE	零件名称 PART NAME	PART NAME 零件名称	数量 QTY	备注 NOTE
1	17272000069	F481CACF080804-1600-PG300	胶管总成	HOSE ASS'Y	1	
2	17272000056	F481CACF080804-870	胶管总成	HOSE ASS'Y	1	
3	51203081421	GB/T5782	螺栓 M6×40	BOLT M6×40	2	
4	51401080122	GB/T93	垫圈6	WASHER 6	2	
5	51421080121	GB/T97.1	垫圈6	WASHER 6	2	
6	60911010037	CB-04	三通接头	THREE-WAY CONNECTOR	3	
7	60304000010	WYS-2	梭阀	SHUTTLE VALVE	1	
8	60911010015	1BG-04-06B2351	直通接头	STRAIGHT CONNECTOR	1	
9	17272000004	F481CFCF080804-1650-0°-PG300	胶管总成	HOSE ASS'Y	1	
10	60911010041	CDM606.05.03-02	五通接头	FIVE-WAY CONNECTOR	1	
11	17272000070	F481CFCF101005-1700-180°-PG300	胶管总成	HOSE ASS'Y	1	
12	17272004422	F481CACF080804-500-PG500	胶管总成	HOSE ASS'Y	1	
13	17272004423	F481CACF080804-1000-PG1000	胶管总成	HOSE ASS'Y	1	
14	51203091721	GB/T5782	螺栓 M8×55	BOLT M8×55	2	
15	51421090121	GB/T97.1	垫圈8	WASHER 8	8	
16	60911010040	CDM606.05.03-01	十通接头	TEN-WAY CONNECTOR	1	
17	17272000068	F481CACF080804-1950	胶管总成	HOSE ASS'Y	1	
18	17272000002	F481CACF080804-680-PG500	胶管总成	HOSE ASS'Y	1	
19	17272000076	F481CACA080804-800	胶管总成	HOSE ASS'Y	1	
20	51204091022	GB/T5783	螺栓 M8×20	BOLT M8×20	2	
21	51401090122	GB/T93	垫圈8	WASHER 8	10	
22	17001006021	LGYF045.00	油源阀总成	OIL SOURCES VALVE ASS'Y	1	
23	60911010002	1B-04WD	直通接头	STRAIGHT CONNECTOR	17	
24	60911010016	1BG-04B2351	直通接头	STRAIGHT CONNECTOR	5	
25	51204091022	GB/T5783	螺栓 M8×20	BOLT M8×20	2	
26	17272000006	F481CACF080804-1300	胶管总成	HOSE ASS'Y	1	
27	17272000071	F481CACF080804-350	胶管总成	HOSE ASS'Y	1	
28	60401020001	1SOLASS' Y(VDD12VDC)	电磁阀	SOLENOID VALVE	1	

18 先导手柄 PILOT CONTROL VALVE

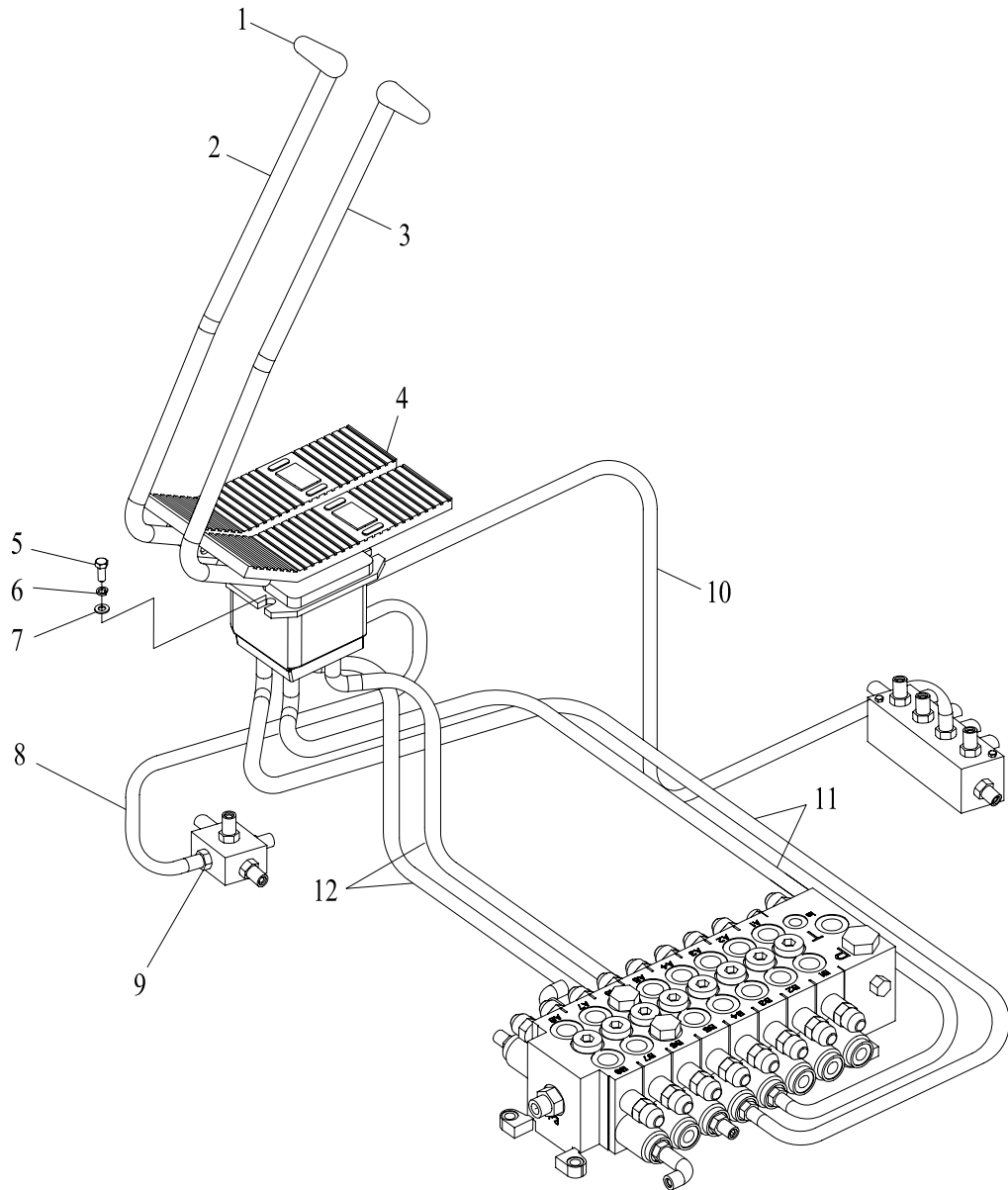


18 先导手柄

PILOT CONTROL VALVE

序号 NO.	代码 S.C	代号 CODE	零件名称 PART NAME	PART NAME 零件名称	数量 QTY	备注 NOTE
1	17001006041	LGXF050RH.00	右先导阀	PILOT VALVE R.H	1	
2	51139190208	GB/T70.1	螺钉 M6×12	SCREW M6×12	8	
3	51420080122	GB/T96.1	垫圈 6	WASHER 6	8	
4	17001006031	LGXF050LH.00	左先导阀总成	PILOT VALVE L.H	1	
5	17272000051	F481CACF080804- 1450	胶管总成	HOSE ASS'Y	1	
6	17272000050	F481CACF080804- 1350	胶管总成	HOSE ASS'Y	1	
7	17272003473	F481CACA080804- 1200	胶管总成	HOSE ASS'Y	2	
8	17272000054	F481CACF080804- 1750-PG500	胶管总成	HOSE ASS'Y	3	
9	17272000048	F481CACF080804- 1150	胶管总成	HOSE ASS'Y	1	
10	17272000042	F481CACA080804- 1750	胶管总成	HOSE ASS'Y	1	
11	17272000047	F481CACF080804- 1100	胶管总成	HOSE ASS'Y	1	
12	17272000358	F481CACF080804- 2000	胶管总成	HOSE ASS'Y	1	
13	17272003820	F481CACF080804- 2200	胶管总成	HOSE ASS'Y	1	
14	60911010002	1B-04WD	直通接头	STRAIGHT CONNECTOR	20	

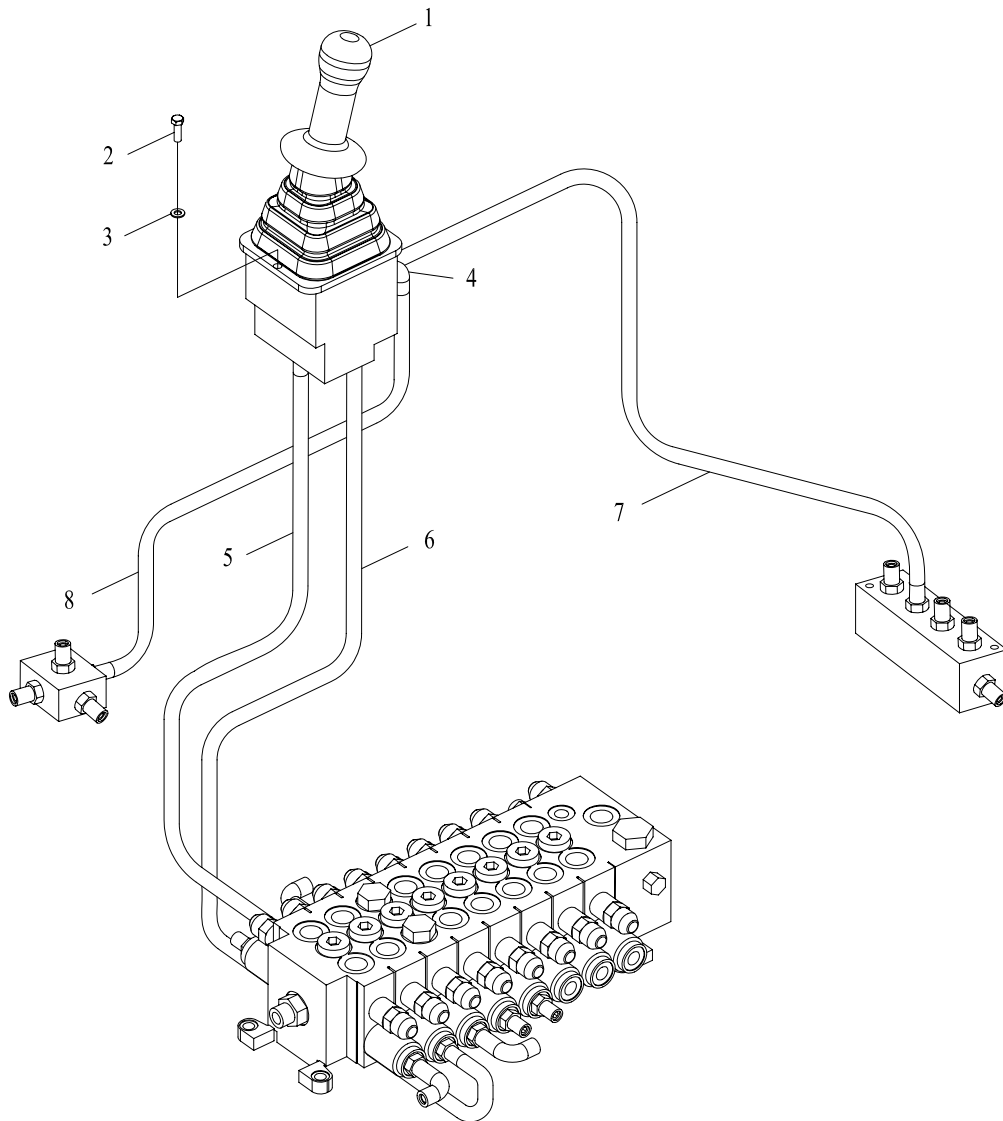
19 先导脚踏阀 FOOT PEDAL VALVE



19 先导脚踏阀
FOOT PEDAL VALVE

序号 NO.	代码 S.C	代号 CODE	零件名称 PART NAME	PART NAME 零件名称	数量 QTY	备注 NOTE
1	60207010006	D60-01-00001/02	手柄	GRIP	2	
2	30605000021	CDM606.05.03.01.02	右操纵杆	CONTROL LEVER R.H	1	
3	30605000020	CDM606.05.03.01.01	左操纵杆	CONTROL LEVER L.F	1	
4	17001006011	LGR050.00	行走脚踏阀总成	FOOT PEDAL VALVE ASS'Y	1	
5	51204101022	GB/T5783	螺栓 M10×20	BOLT M10×20	8	
6	51401100122	GB/T93	垫圈10	WASHER 10	4	
7	51421100121	GB/T97.1	垫圈10	WASHER 10	8	
8	17272003107	F481CACF080804- 600-PG300	胶管总成	HOSE ASS'Y	1	
9	60911010002	1B-04WD	直通接头	STRAIGHT CONNECTOR	12	
10	17272000044	F481CACA080804- 680	胶管总成	HOSE ASS'Y	1	
11	17272003104	F481CACF080804- 1200-PG500	胶管总成	HOSE ASS'Y	2	
12	17272000012	F481CACF080804- 400	胶管总成	HOSE ASS'Y	2	

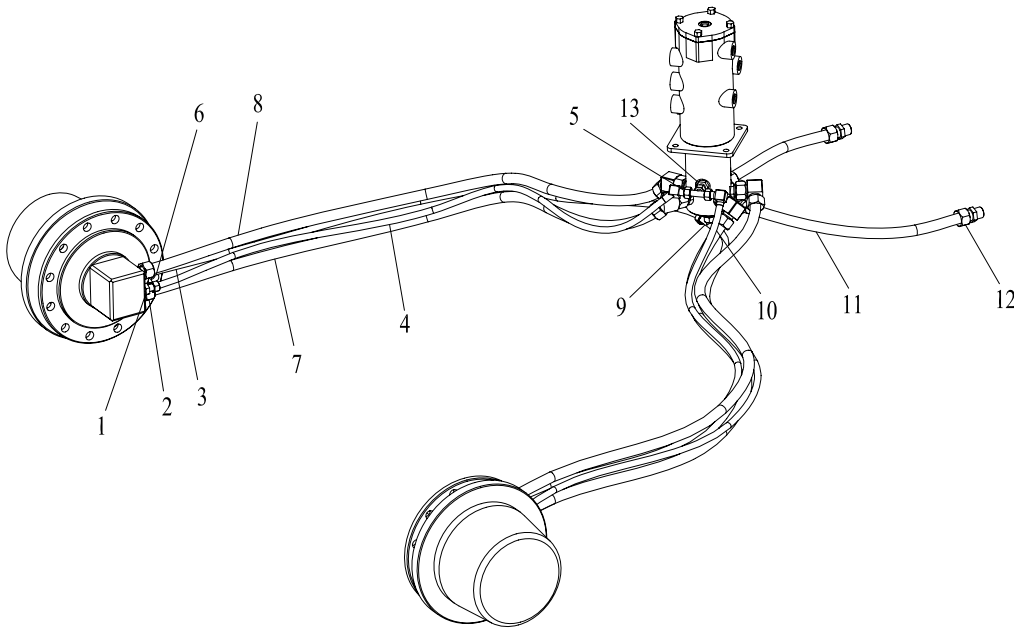
20 先导推土阀 PILOT DOZER DEVICE



20 先导推土阀
PILOT DOZER DEVICE

序号 NO.	代码 S.C	代号 CODE	零件名称 PART NAME	PART NAME 零件名称	数量 QTY	备注 NOTE
1	17021006011	LGTF1000.00	推土阀总成	PILOT VALVE DOZER	1	
2	51139190408	GB/T70.1	螺钉 M6×16	SCREW M6×16	2	
3	51401080122	GB/T93	垫圈6	WASHER 6	2	
4	60911010002	1B-04WD	直通接头	STRAIGHT CONNECTOR	8	
5	17272000049	F481CACF080804- 1200	胶管总成	HOSE ASS'Y	1	
6	17272000784	F481CACF080804- 1600	胶管总成	HOSE ASS'Y	1	
7	17272003658	F481CACA080804- 1350-PG500	胶管总成	HOSE ASS'Y	1	
8	17272000426	F481CACF080804- 1950-PG500	胶管总成	HOSE ASS'Y	1	

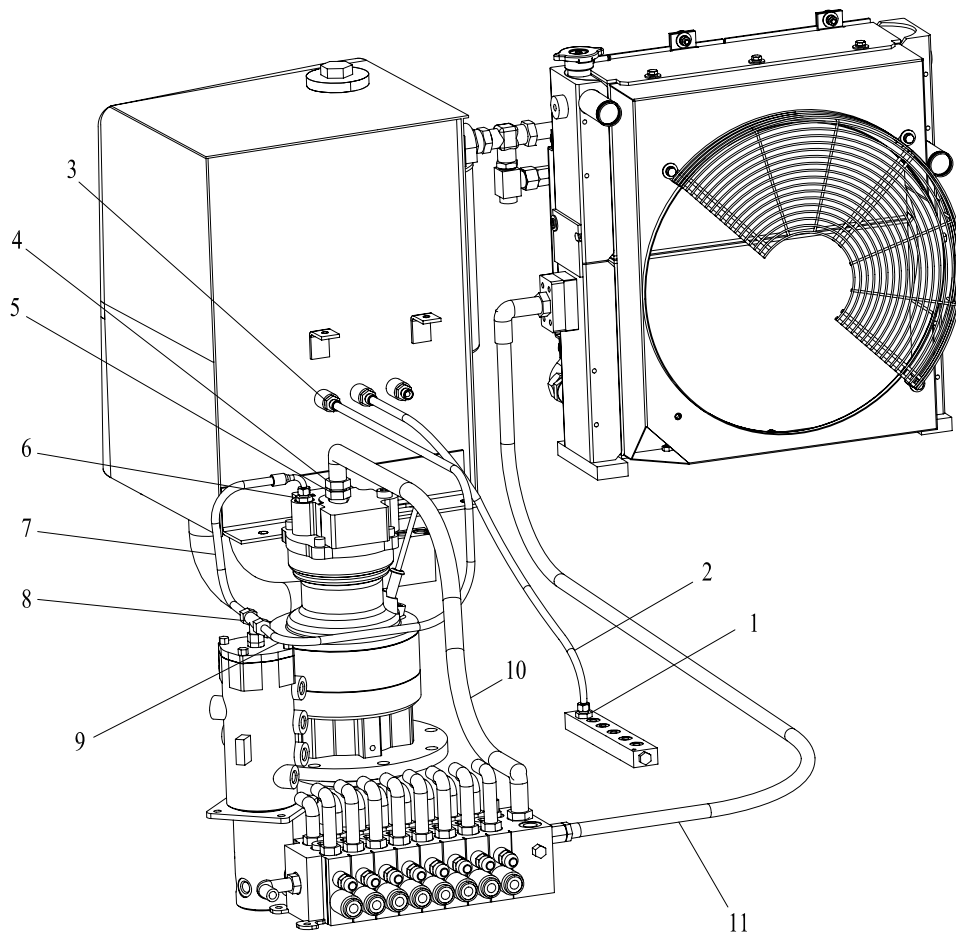
21 下车管路 CHASSIS LINES



21 下车管路
CHASSIS LINES

序号 NO.	代码 S.C	代号 CODE	零件名称 PART NAME	PART NAME 零件名称	数量 QTY	备注 NOTE
1	60911010016	1BG-04B2351	直通接头	STRAIGHT CONNECTOR	2	
2	60911010018	1BG-08B2351	直通接头	STRAIGHT CONNECTOR	8	
3	17272004913	F481CACE121206- 1350-PG500	胶管总成	HOSE ASS'Y	2	
4	17272000041	F481CACA080804- 1400	胶管总成	HOSE ASS'Y	1	
5	60911010035	BB-04	三通接头	THREE-WAY CONNECTOR	1	
6	60911010017	1BG-06B2351	直通接头	STRAIGHT CONNECTOR	5	
7	17272003093	F381CACF151508- 1350-PG500	胶管总成	HOSE ASS'Y	3	
8	17272003090	F381CACE151508- 1350-PG500	胶管总成	HOSE ASS'Y	1	
9	60911010036	BB-06	三通接头	THREE-WAY CONNECTOR	1	
10	17272000006	F481CACF080804- 1300	胶管总成	HOSE ASS'Y	1	
11	17272003655	F381CACF121206- 1200-PG1200	胶管总成	HOSE ASS'Y	2	
12	60911010007	1B-06WD	直通接头	STRAIGHT CONNECTOR	2	
13	60911010015	1BG-04-06B2351	直通接头	STRAIGHT CONNECTOR	1	

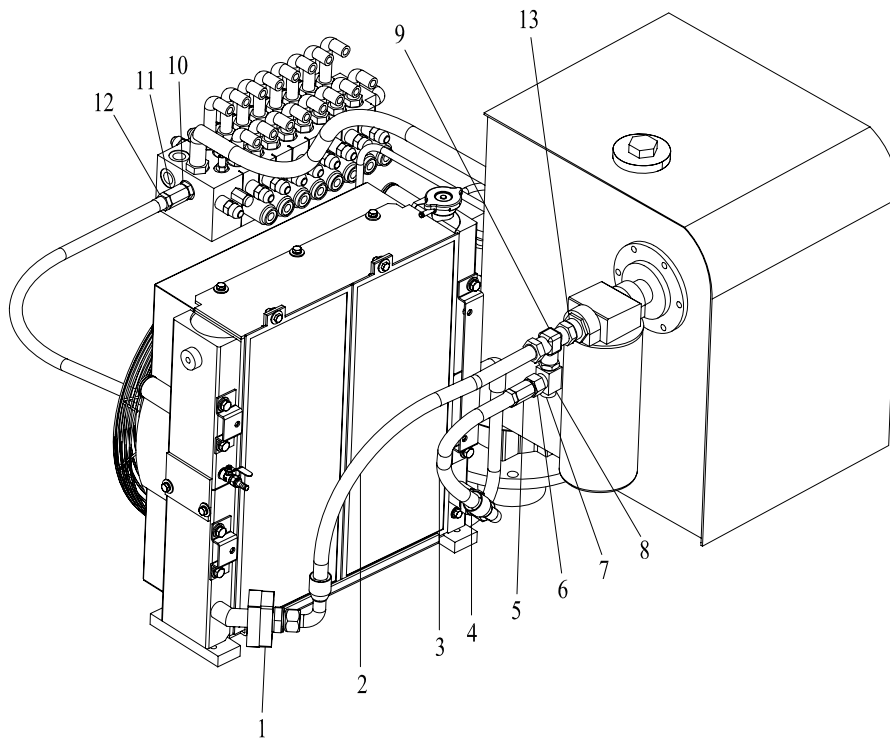
22 回油管路 I MAIN PUMP LINES I



22 回油管路 I
OIL RETURN LINES I

序号 NO.	代码 S.C	代号 CODE	零件名称 PART NAME	PART NAME 零件名称	数量 QTY	备注 NOTE
1	60911010003	1B-06-04WD	直通接头	STRAIGHT CONNECTOR	1	
2	17272000058	F481CACF121206- 1300-PG300	胶管总成	HOSE ASS'Y	1	
3	60911010007	1B-06WD	接头	CONNECTOR	2	
4	60911010025	2B9-12	直角接头	RIGHT ANGLE CONNECTOR	1	
5	60911010019	1BG-12B2351	直通接头	STRAIGHT CONNECTOR	1	
6	60911010017	1BG-06B2351	直通接头	STRAIGHT CONNECTOR	2	
7	17272000059	F481CACF121206 -700	胶管总成	HOSE ASS'Y	1	
8	60911010036	BB-06	三通接头	THREE-WAY CONNECTOR	1	
9	17272000057	F481CACF121206 -1100	胶管总成	HOSE ASS'Y	1	
10	17272000061	F481CACF222212 -1540-PG300	胶管总成	HOSE ASS'Y	1	
11	17272000428	F811CA19281616 -1600-PG500	胶管总成	HOSE ASS'Y	1	

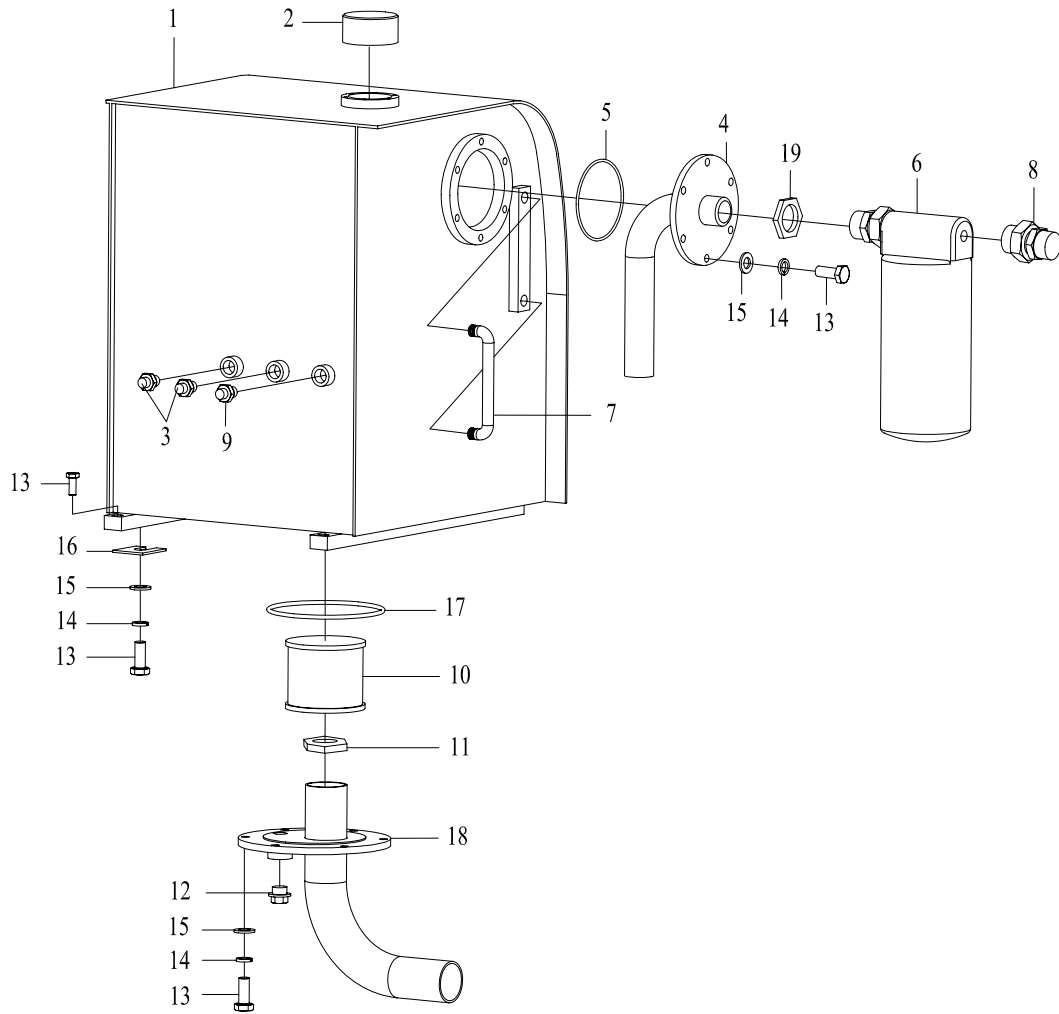
23 回油管路 II MAIN PUMP LINES II



23 回油管路 II
OIL RETURN LINES II

序号 NO.	代码 S.C	代号 CODE	零件名称 PART NAME	PART NAME 零件名称	数量 QTY	备注 NOTE
1	60911010051	M1M1HK-16	法兰组件	FLANGE COMPONENT	2	
2	17272000427	F811CA19281616 -1000	胶管总成	HOSE ASS'Y	1	
3	17272003112	F811CACF222212 -700	胶管总成	HOSE ASS'Y	1	
4	60911010011	1B-12WD	直通接头	STRAIGHT CONNECTOR	3	
5	60304000128	S15A21B	单向阀	CHECK VALVE	1	
6	60911013194	2GB-12WD	直通接头	STRAIGHT CONNECTOR	1	
7	60911010992	9B-12	堵头	PLUG	1	
8	60911010402	CB-12	三通接头	THREE-WAY CONNECTOR	1	
9	60911010039	CB-16-12-16	三通接头	THREE-WAY CONNECTOR	1	
10	60911010012	1B-12WD-16WD	直通接头	STRAIGHT CONNECTOR	1	
11	60304000007	S20A51B	单向阀	CHECK VALVE	1	
12	60911010014	1B-16WD	直通接头	STRAIGHT CONNECTOR	1	
13	60911010013	1B-16-20WD	直通接头	STRAIGHT CONNECTOR	1	

24 油箱体 HYDRAULIC TANK

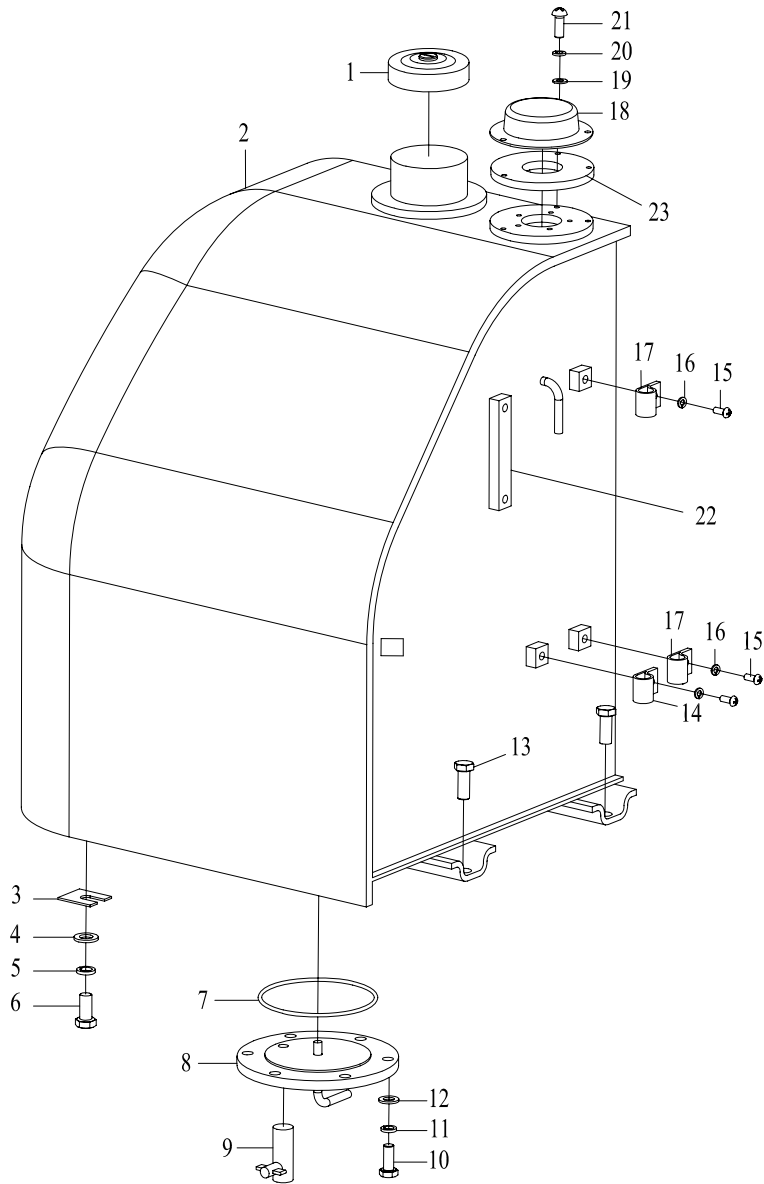


24 油箱体

HYDRAULIC TANK

序号 NO.	代码 S.C	代号 CODE	零件名称 PART NAME	PART NAME 零件名称	数量 QTY	备注 NOTE
1	30602000138	LG606.02.01	液压油箱	HYDRAULIC TANK	1	
2	60101100927	PAF2-0.035-0.75-10-F	空气滤清器	ATR CLEANER	1	
3	60911010007	1B-06WD	直通接头	STRAIGHT CONNECTOR	2	
4	30602000005	CDM606.02.03	回油法兰	OIL RETURN FLANGE	1	
5	56145025001	GB/T3452.1	O形圈 115×3.55	O-RING 115×3.55	1	
6	60308000001	AMF30E230/3EFD1	回油滤	OIL RETURN FILTER	1	
7	60307010002	LS127-T-M10	液位计	GAUGE	1	
8	60911010013	1B-16-20WD	直通接头	STRAIGHT CONNECTOR	1	
9	60911010008	1B-08-06WD	直通接头	STRAIGHT CONNECTOR	1	
10	60308000002	FAM60MNB8	吸油滤	OIL SUCTION FILTER	1	
11	30602100012	CDM606.02-01	调节螺母	ADJUST NUT	1	
12	60911010059	VSTII/2EDA3C	堵头	PLUG	1	
13	51204101122	GB/T5783	螺栓 M10×25	BOLT M10×25	12	
14	51401100122	GB/T93	垫圈10	WASHER 10	12	
15	51421100121	GB/T97.1	垫圈10	WASHER 10	12	
16	30614100014	CDM606.14-01	调整垫片	ADJUST SHIM	4	
17	56145028801	GB/T3452.1	O形圈165×5.7	O-RING 165×5.7	1	
18	30602000003	CDM606.02.02	吸油钢管	OIL SUCTION PIPE	1	
19	30602100019	CDM606.02A-02	锁紧螺母	LOCK NUT	1	

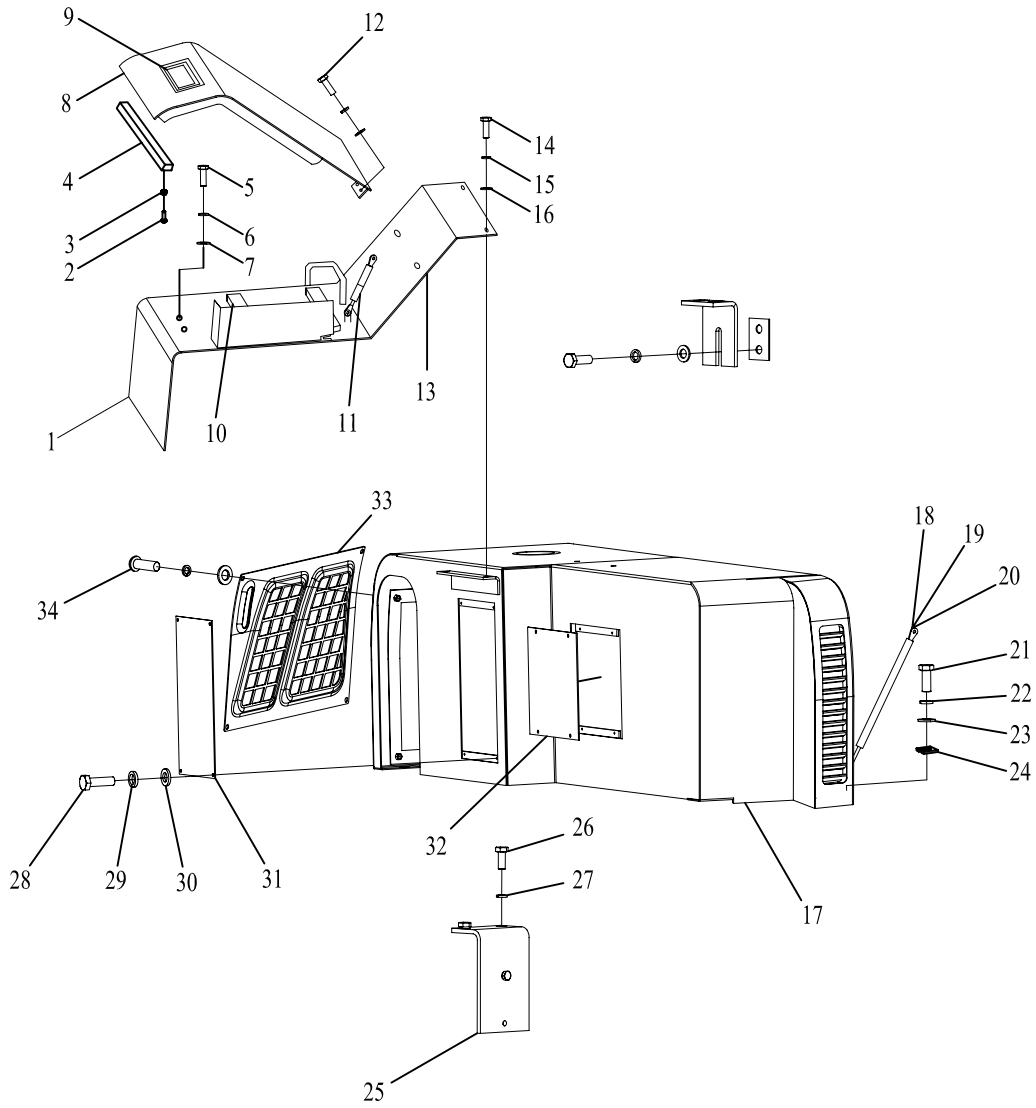
25 燃油箱 FUEL TANK



25 燃油箱
FUEL TANK

序号 NO.	代码 S.C	代号 CODE	零件名称 PART NAME	PART NAME 零件名称	数量 QTY	备注 NOTE
1	60980000002	JW-1038	可锁式注油通气器	LOCK-IN AIR VENT FILTER	1	
2	30603000003	CDM606.03A.01	燃油箱	FUEL TANK	1	
3	30614100014	CDM606.14-01	调整垫片	ADJUST SHIM	4	
4	51401110122	GB/T93	垫圈 12	WASHER 12	4	
5	51421110121	GB/T97.1	垫圈 12	WASHER 12	4	
6	51204111122	GB/T5783	螺栓 M12×25	BOLT M12×25	4	
7	56145025005	GB/T3452.1	O形圈 Φ115×3.55	O-RING Φ115×3.55	1	
8	30603000004	CDM606.03.02	柴油吸油法兰	SUCTION FLANGE, DIESEL	1	
9	60304000009	V606	放水阀	WATER DRAIN VALVE	1	
10	51204101122	GB/T5783	螺栓 M10×25	BOLT M10×25	6	
11	51421100121	GB/T97.1	垫圈10	WASHER 10	6	
12	51401100122	GB/T93	垫圈10	WASHER 10	6	
13	51204111522	GB/T5783	螺栓 M12×45	BOLT M12×45	2	
14	60911010030	3700920	线夹	CLIP	1	
15	51204090622	GB/T5783	螺钉 M8×10	SCREW M8×10	3	
16	51401090122	GB/T93	垫圈8	WASHER 8	3	
17	60980000541	3700906	线夹	CLIP	2	
18	30603100008	CDM606.03A-01	盖	CAP	1	
19	51421070121	GB/T97.1	垫圈5	WASHER 5	3	
20	51401070122	GB/T93	垫圈5	WASHER 5	3	
21	51117170605	GB/T65	螺栓 M5×16	BOLT M5×16	3	
22	60307010002	LS127-T-M10	液位计	GAUGE	1	
23	30602100293	LG6075.02-01	环	RING	1	

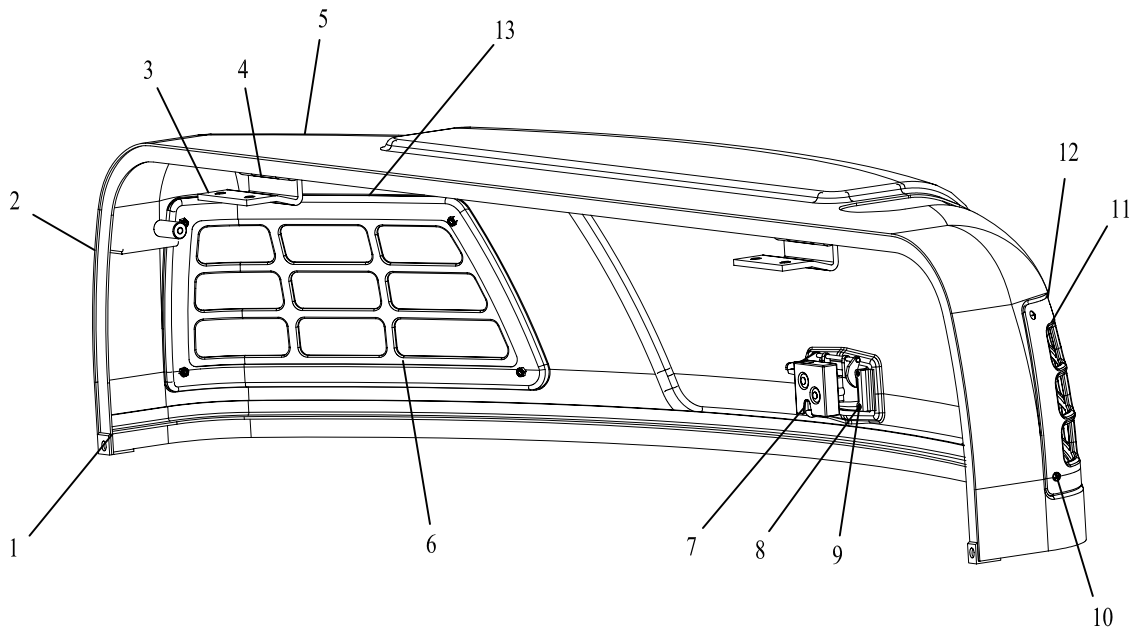
26 覆盖件 I OUT PANNEL I



26 覆盖件 I
OUT PANNEL I

序号 NO.	代码 S.C	代号 CODE	零件名称 PART NAME	PART NAME 零件名称	数量 QTY	备注 NOTE
1	30614000002	CDM606.14A.01	蓄电池罩	BATTERY HOOD	1	
2	51119170705	GB/T68	螺钉 M5×20	BOLT M5×20	7	
3	51307000722	GB/T6170	螺母 M5	NUT M5	7	
4	30614100181	CDM606.14A-01	前减振垫	SHOCK PAD, FRONT	1	
5	51204091122	GB/T5783	螺栓 M8×25	BOLT M8×25	2	
6	51421090121	GB/T97.1	垫圈8	WASHER 8	6	
7	51401090122	GB/T93	垫圈8	WASHER 8	2	
8	30614000017	CDM606.14A.07	盖板总成	COVER BOARD ASS'Y	1	
9	60701010007	NBS-629-1	锁	LOCK	1	
10	30614100182	CDM606.14A-03	减振垫	SHOCK PAD	1	
11	60920010004	ZQH4006-208-00	气弹簧	GAS SPRING	1	
12	51204091022	GB/T5783	螺栓 M8×20	BOLT M8×20	6	
13	30614000003	CDM606.14A.08	回转马达罩	HOOD, SWING MOTOR	1	
14	51204101122	GB/T5783	螺栓 M10×25	BOLT M10×25	14	
15	51401100122	GB/T93	垫圈10	WASHER 10	18	
16	51421100121	GB/T97.1	垫圈10	WASHER 10	18	
17	30614000821	LG6060D.14.01	前机罩焊合	HOOD WELDING, FRONT	1	
18	60920010003	ZQH3517-640-Φ22	气弹簧	GAS SPRING	2	
19	51512071001	GB/T91	开口销2.5×20	COTTER PIN	2	
20	51421090121	GB/T97.1	垫圈8	WASHER 8	4	
21	51204111322	GB/T5783	螺栓 M12×35	BOLT M12×35	5	
22	51420110122	GB/T96.1	垫圈12	WASHER 12	5	
23	51401110122	GB/T93	垫圈12	WASHER 12	5	
24	30614100183	CDM606.14A-04	前罩调整垫片	ADJUST SHIM, FRONT HOOD	1	
25	30614100007	CDM606.14A-10	弯板	BENT PLATE	1	
26	51158190510	GB/T818	螺钉 M6×16	BOLT M6×16	2	
27	51421080121	GB/T97.1	垫圈6	WASHER 6	8	
28	51204081022	GB/T5783	螺栓 M6×20	BOLT M6×20	8	
29	51421080121	GB/T97.1	垫圈6	WASHER 6	8	
30	51401080122	GB/T93	垫圈6	WASHER 6	4	
31	30614100153	CDM606.14-05	封板	SEAL PLATE	1	
32	30614100134	CDM606.14-06	封板	SEAL PLATE	1	
33	30614000825	LG6060D.14.04	护板总成	DEFEND BOARD ASS'Y	1	
34	51140210509	GB/T70.2	螺钉 M8×16	SCREW M8×16	4	

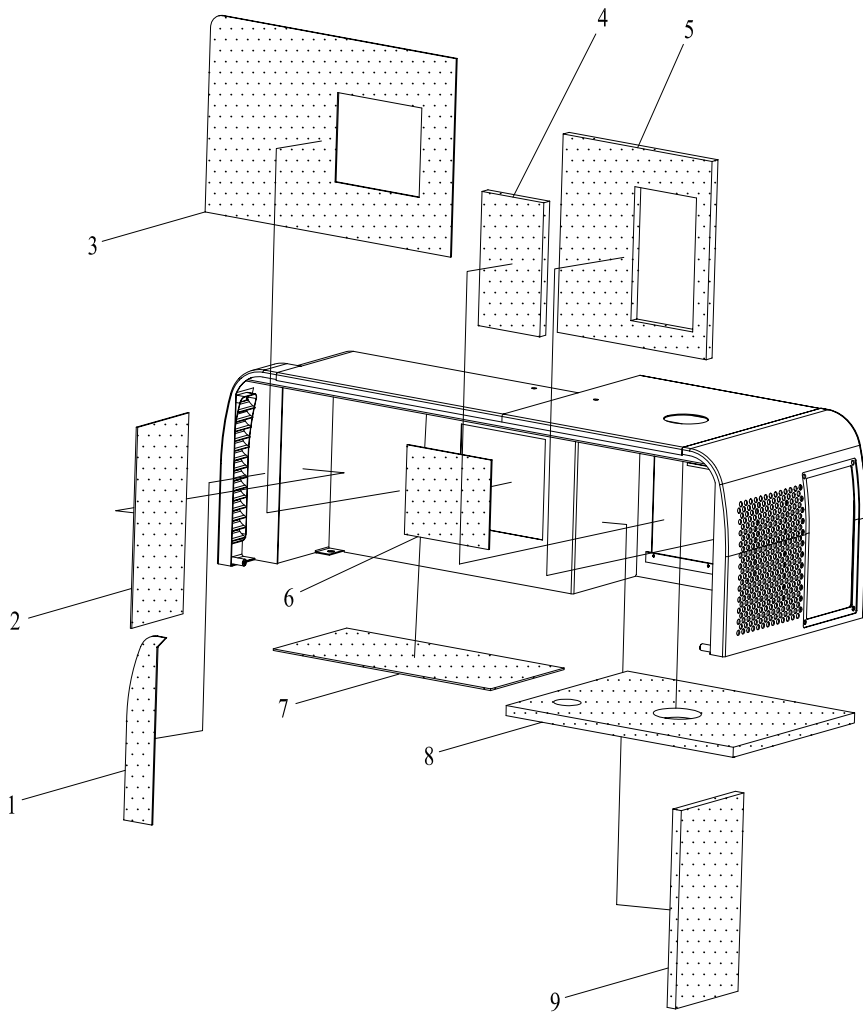
27 覆盖件 II
OUT PANNEL II



27 覆盖件 II
OUT PANNEL II

序号 NO.	代码 S.C	代号 CODE	零件名称 PART NAME	PART NAME 零件名称	数量 QTY	备注 NOTE
1	30614100154	CDM606.14-07	后罩装饰块	DECORATIVE BLOCK, REAR HOOD	2	
2	60919010016	WDO16	胶条 L2150	SEAL STRIP L=2150	1	
3	30614000012	30614000012	后罩安装铰链	HINGE, REAR HOOD	2	
4	30614100014	CDM606.14-01	调整垫片	ADJUST SHIM,	8	
5	30614000822	LG6060D.14.02	后罩总成	REAR HOOD	1	
6	60980005281	YZ-60ED-YHWZC	右护网总成	PROTECTING NET RIGHT	1	
7	60901000028	NBS-629-2	锁	LOCK	1	
8	51401080122	GB/T93	垫圈6	WASHER 6	4	
9	51139190408	GB/T70.1	螺钉 M6×16	SCREW M6×16	4	
10	51190061301	GB/T819.2	螺钉 M6×16	SCREW M6×16	8	
11	60980005280	YZ-60ED-ZHWZC	左护网总成	PROTECTING NET LEFT	1	
12	30614101898	LG6060D.14.02-01	左出风口	LEFT AIR VENT	1	
13	30614101899	LG6060D.14.02-02	右出风口	RIGHT AIR VENT	1	

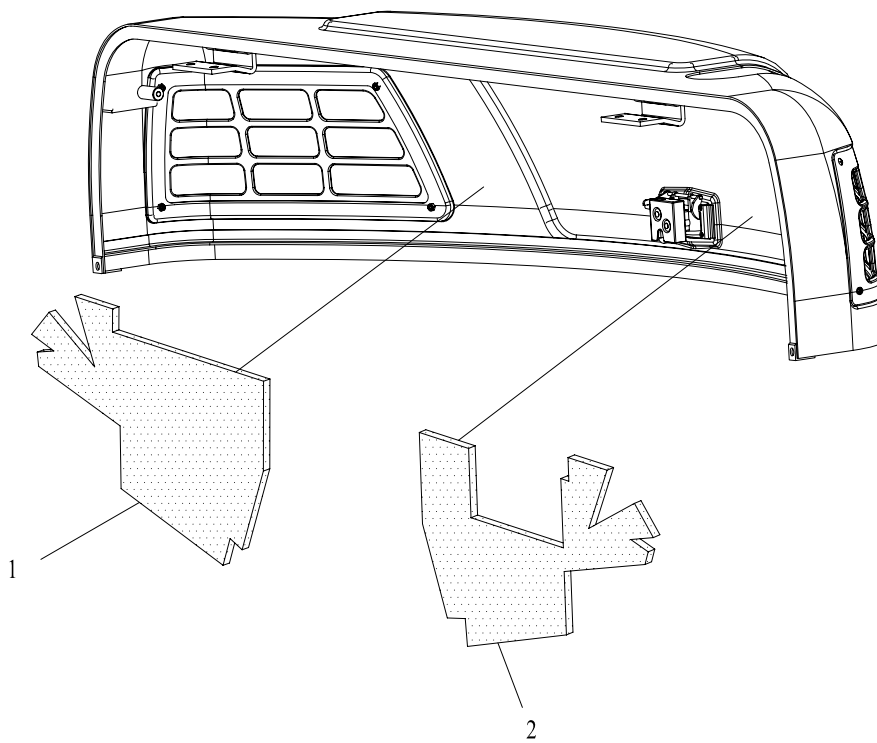
28 吸音海绵总成 I
SOUND-ABSORBING SPONGE ASS'Y I



28 吸音海绵总成 I
SOUND-ABSORBING SPONGE ASS'Y I

序号 NO.	代码 S.C	代号 CODE	零件名称 PART NAME	PART NAME 零件名称	数量 QTY	备注 NOTE
1	30614100033	LG6065.14.05-01	隔热铝箔	THERMAL ALUMINIUM BLANKET	1	
2	30614100040	LG6065.14.05-08	隔热铝箔	THERMAL ALUMINIUM BLANKET	1	
3	30614100036	LG6065.14.05-04	隔热铝箔	THERMAL ALUMINIUM BLANKET	1	
4	30614100052	LG6065.14.05-10	吸音海绵	SOUND-ABSORBING SPONGE	1	
5	30614100038	LG6065.14.05-06	吸音海绵	SOUND-ABSORBING SPONGE	1	
6	30614100051	LG6065.14.05-09	隔热铝箔	THERMAL ALUMINIUM BLANKET	1	
7	30614100034	LG6065.14.05-02	隔热铝箔	THERMAL ALUMINIUM BLANKET	1	
8	30614100037	LG6065.14.05-05	吸音海绵	SOUND-ABSORBING SPONGE	1	
9	30614100039	LG6065.14.05-07	吸音海绵	SOUND-ABSORBING SPONGE	1	

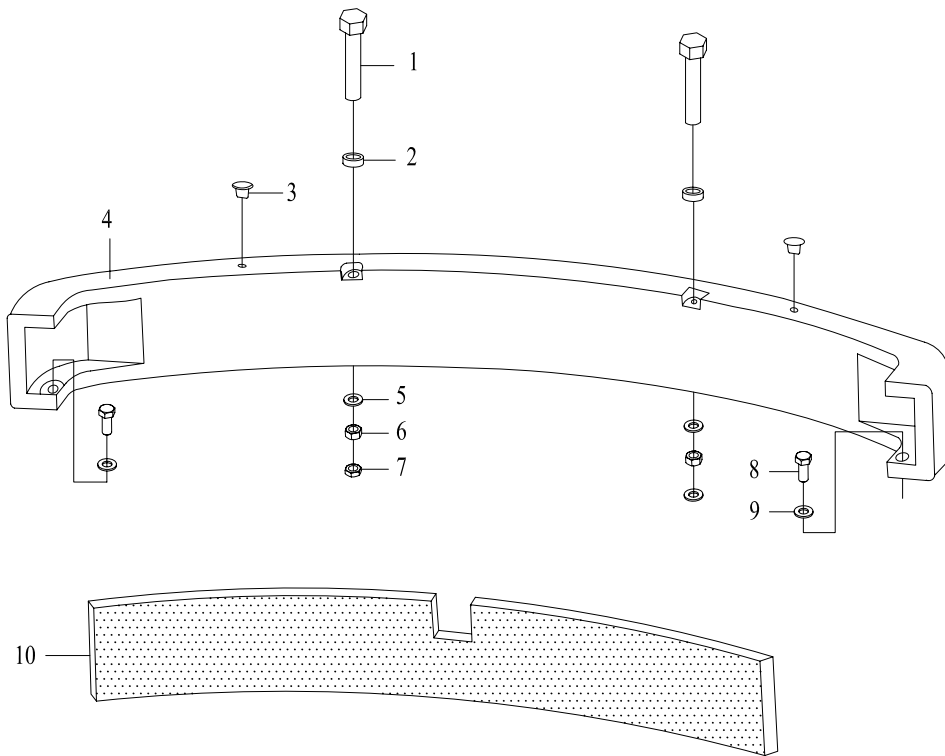
29 吸音海绵总成 II
SOUND-ABSORBING SPONGE ASS'Y II



29 吸音海绵总成 II
SOUND-ABSORBING SPONGE ASS'Y II

序号 NO.	代码 S.C	代号 CODE	零件名称 PART NAME	PART NAME 零件名称	数量 QTY	备注 NOTE
1	30614101902	LG6060D.14.03-02	海绵	SPONGE	1	
2	30614101900	LG6060D.14.03-01	海绵	SPONGE	1	

30 配重总成
COUNTER WEIGHT ASS'Y

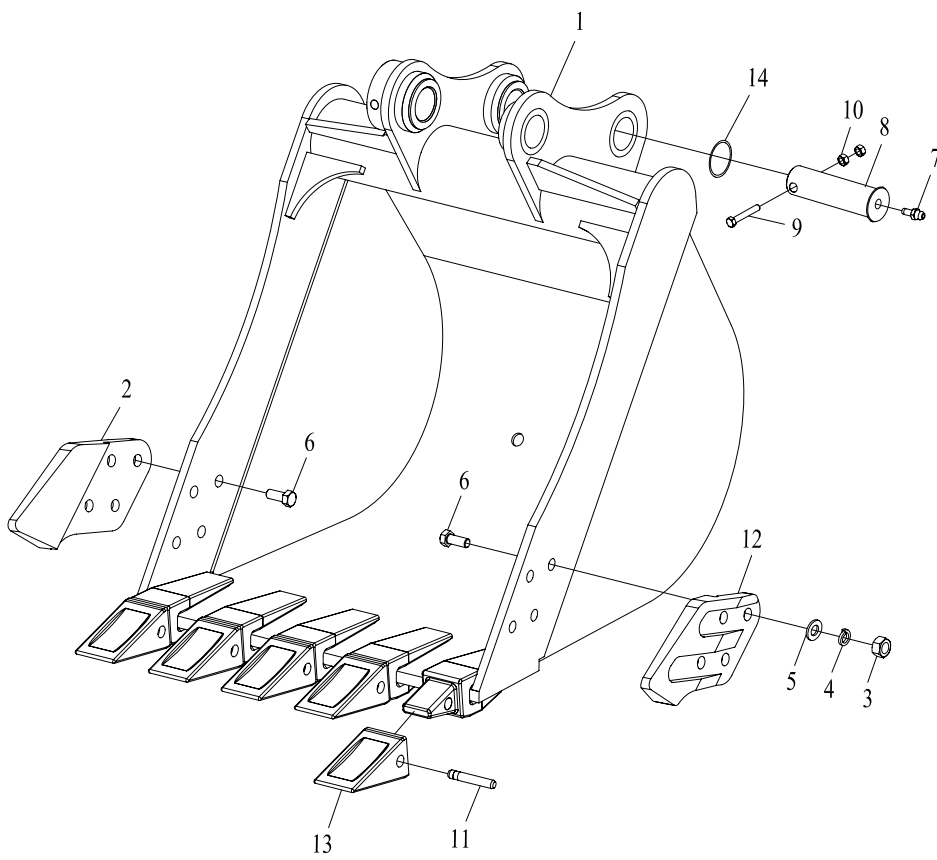


30 配重总成

COUNTER WEIGHT ASS'Y

序号 NO.	代码 S.C	代号 CODE	零件名称 PART NAME	PART NAME 零件名称	数量 QTY	备注 NOTE
1	51203154121	GB/T5782	螺栓 M20×225	BOLT M20×225	2	
2	30611100002	CDM606.11-04	螺栓护套	BOLT SLEEVE	2	
3	30611100001	CDM606.11-02	螺纹堵头	PLUG SCREW	2	
4	30611100129	CDM606.11-01	配重	COUNTER WEIGHT	1	
5	51427150122	GB/T1230	垫圈 20	WASHER 20	2	
6	51307001522	GB/T6170	螺母 M20	NUT M20	2	
7	51311001226	GB/T6172.1	螺母 M20	NUT M20	2	
8	51203131821	GB/T5782	螺栓 M16×60	BOLT M16×60	2	
9	51427130122	GB/T1230	垫圈 16	WASHER 16	4	
10	30611100003	CDM606.11-03	隔音海绵	SOUND-ABSORBING SPONGE	1	

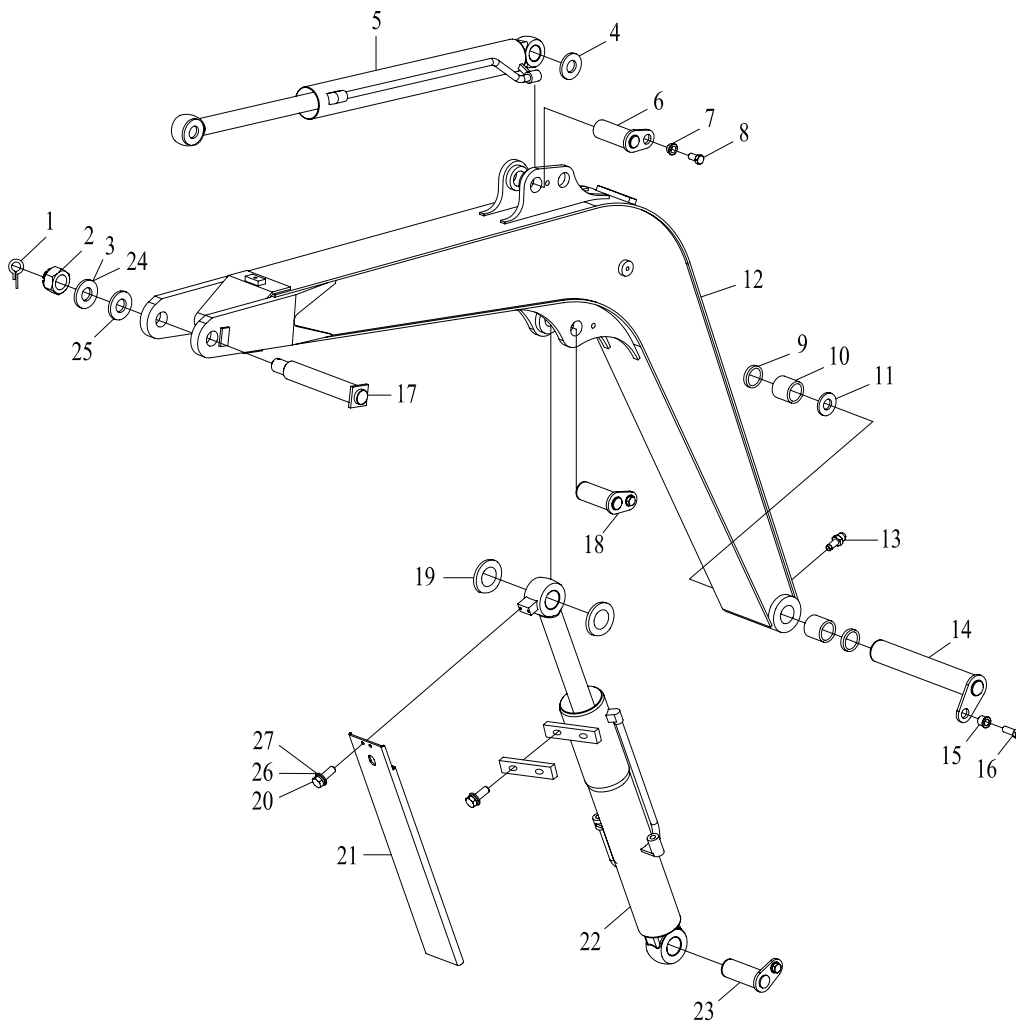
31 铲斗总成
BUCKET ASS'Y



31 铲斗总成
BUCKET ASS'Y

序号 NO.	代码 S.C	代号 CODE	零件名称 PART NAME	PART NAME 零件名称	数量 QTY	备注 NOTE
1	30617000005	LG6065.17.01	铲斗焊合	BUCKET	1	
2	60906000013	S/C-6060L	左边齿	SIDE CUTTER, LEFT	1	
3	51307001319	GB/T6170	螺母 M16	NUT M16	6	
4	51401130122	GB/T93	垫圈 16	WASHER 16	6	
5	51427130122	GB/T1230	垫圈 16	WASHER 16	6	
6	51204133922	GB/T5783	螺栓 M16×60	BOLT M16×50	6	
7	56201000501	JB/T7940.1	油杯 PT1/8	GREASE FITTING A-PT1/8	2	
8	30617100035	CDM606.17-01	销轴	PIN	2	
9	51203112621	GB/T5782	螺栓 M12×100	BOLT M12×90	2	
10	51307001119	GB/T6170	螺母 M12	NUT M12	4	
11	60980000156	SPRING-6060	横销	PIN	5	
12	60906000012	S/C-6060R	右边齿	SIDE CUTTER, RIGHT	1	
13	60906000004	DH552713-9061	斗齿	BUCKET TOOTH	5	
14	56145025105	GB/T3452.1	O 形圈76×8	O-RING Φ76×8	4	

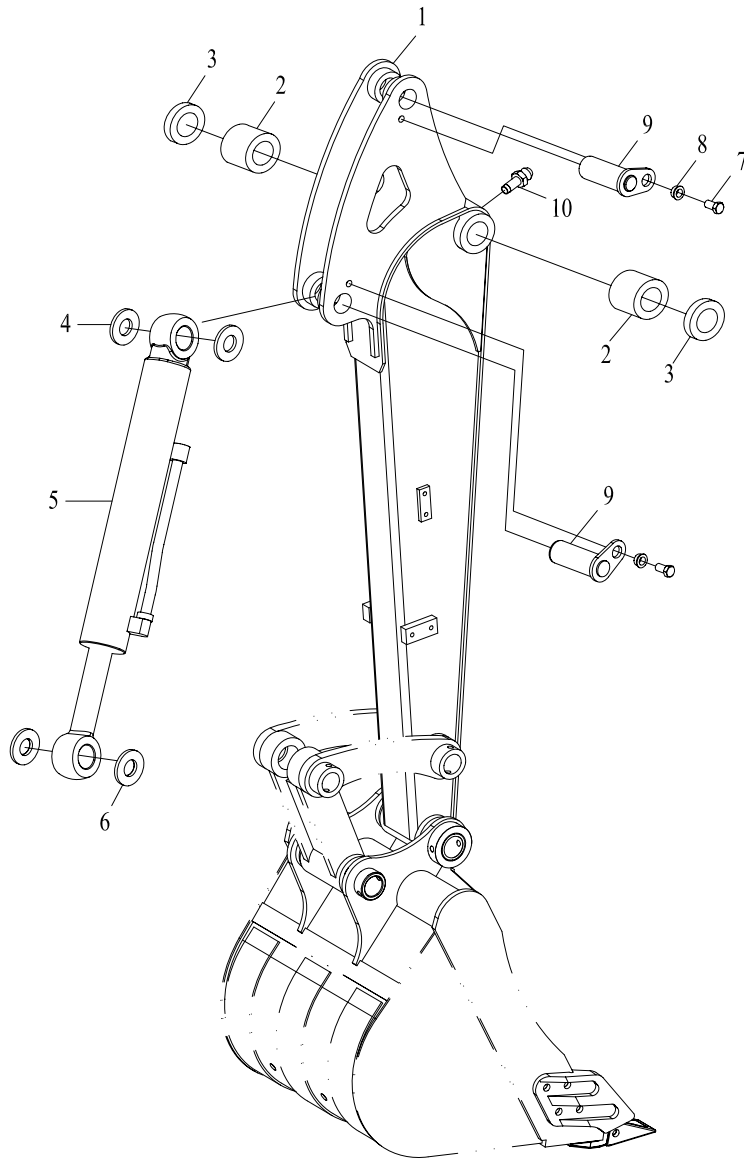
32 动臂总成 BOOM ASS'Y



32 动臂总成 BOOM ASS'Y

序号 NO.	代码 S.C	代号 CODE	零件名称 PART NAME	PART NAME 零件名称	数量 QTY	备注 NOTE
1	51512113001	GB/T91	开口销 6.3×70	COTTER PIN 6.3×70	1	
2	30615100070	CDM606.15-03	花螺母	CLAMP NUT	1	
3	30615100002	CDM606.15-02	垫圈	WASHER	1	
4	30615100068	CDM606.15-09	垫圈	WASHER	2	
5	16606042010	CDM606.30	斗杆油缸总成	ARM CYLINDER ASS'Y	1	
6	30615000014	CDM606.15.06	销轴总成	PIN ASS'Y	1	
7	30615100061	CDM606.15-08	销套	BUSHING	2	
8	51204134222	GB/T5783	螺栓 M16×30	BOLT M16×30	2	
9	60912010002	VAY	防尘圈 Φ60×Φ75×4	DUST SEAL Φ60×Φ75×4	2	
10	30615100065	CDM606.15-07	钢套	STEEL SLEEVE	2	
11	30615100462	CDM606.15-12	垫圈	WASHER	2	
12	30615000001	CDM606.15.01	动臂焊合	BOOM WELDING	1	
13	60980000683	671004	油杯 PT1/8	GREASE FITTING PT1/8	2	
14	30619000001	CDM606.19.01	动臂下销	BOOM LOWER PIN	1	
15	30612100137	CDM606.19-03	螺栓套	BOLT SLEEVE	2	
16	51204133022	GB/T5783	螺栓 M16×45	BOLT M16×45	2	
17	30615000010	CDM606.15.02	销轴总成	PIN ASS'Y	1	
18	30615000015	CDM606.15.07	销轴总成	PIN ASS'Y	1	
19	30615100068	CDM606.15-09	垫圈	WASHER	2组	
20	51203101221	GB/T5782	螺栓 M10×30	BOLT M10×30	2	
21	30615100001	CDM606.15-05	防护板	GUARD	1	
22	16606060010	油缸Φ120/Φ70	动臂油缸总成	BOOM CYLINDER ASS'Y	1	
23	30619000002	CDM606.19.02	动臂油缸下销	LOWER PIN, BOOM CYLINDER	1	
24	30615100671	CDM606.15-13	垫圈	WASHER	1	
25	30616100046	CDM606.16-07	垫圈	WASHER	4	
26	51401100122	GB/T93	垫圈 10	WASHER 10	11	
27	51421100115	GB/T97.1	垫圈 10	WASHER 10	2	

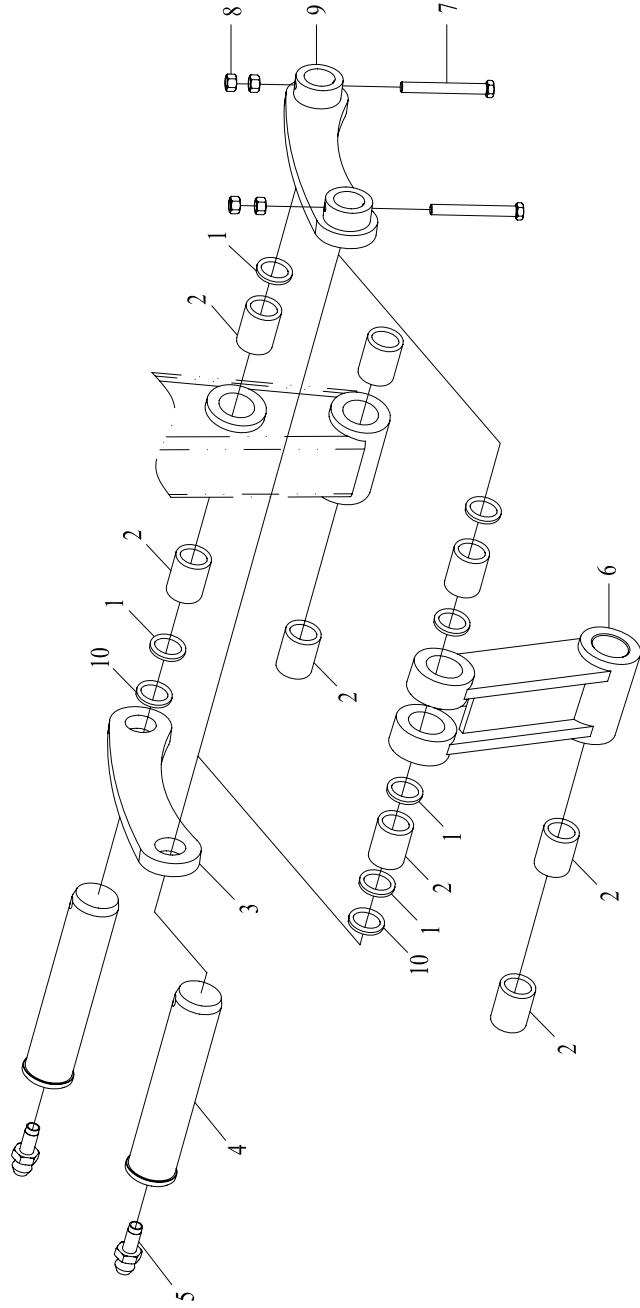
33 斗杆总成 I ARM ASS'Y I



33 斗杆总成 I
ARM ASS'Y I

序号 NO.	代码 S.C	代号 CODE	零件名称 PART NAME	PART NAME 零件名称	数量 QTY	备注 NOTE
1	3061600001	CDM606.16.01	斗杆	ARM	1	
2	30616100047	CDM606.16-08	钢套	STEEL SLEEVE	2	
3	60912010001	VAY	防尘圈 60×50×4	DUST SEAL 60×50×4	12	
4	30616100243	LG6085.16-06	调整垫 1	ADJUST SHIM 1	4组	
5	16606034010	油缸Φ85/Φ50	铲斗油缸	BUCKET CYLINDER	1	
6	30616100046	CDM606.16-07	垫圈	WASHER	4组	
7	51204134222	GB/T5783	螺栓 M16×30	BOLT M16×30	2	
8	30615100061	CDM606.15-08	销套	BUSHING	2	
9	30616000007	CDM606.16.03	销	PIN	2	
10	56201000501	JB/T7940.1	油杯 PT1/8	GREASE FITTING PT1/8	3	

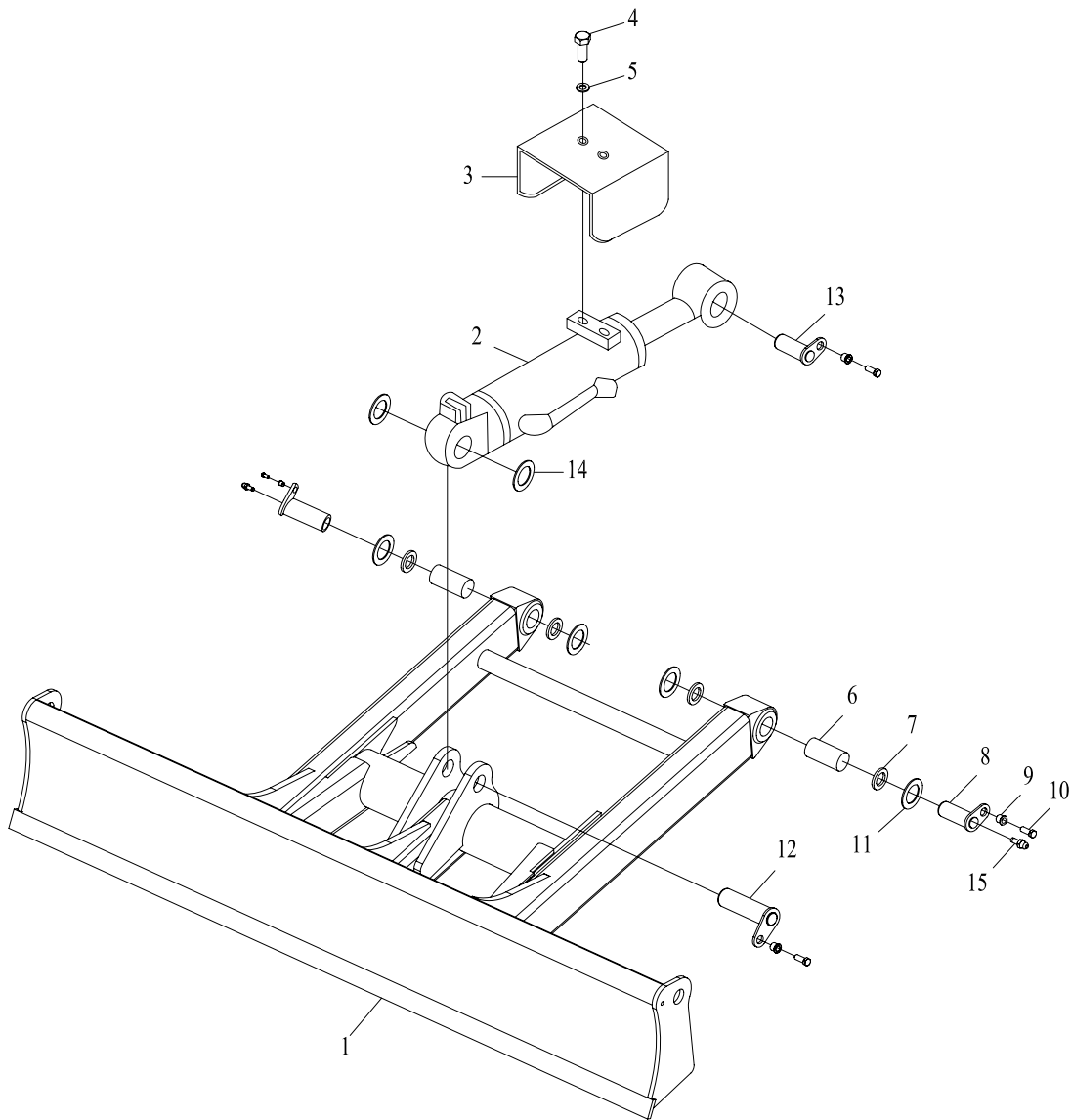
34 斗杆总成 II
ARM ASS'Y II



34 斗杆总成 II
ARM ASS'Y II

序号 NO.	代码 S.C	代号 CODE	零件名称 PART NAME	PART NAME 零件名称	数量 QTY	备注 NOTE
1	60912010001	VAY	防尘圈 60×50×4	DUST SEAL 60×50×4	12	
2	30616100049	CDM606.16-01	钢套	STEEL SLEEVE	8	
3	30616000004	CDM606.16.02	左摇杆	LINK L.F.	1	
4	30616100050	CDM606.16-04	销	PIN	2	
5	56201000501	JB/T7940.1	油杯 PT1/8	GREASE FITTING PT1/8	2	
6	30616000005	CDM606.16.04	连杆	LINK	1	
7	51203113421	GB/T5782	螺栓 M12×95	BOLT M12×95	2	
8	51307001122	GB/T6170	螺母 M12	NUT M12	4	
9	30616100016	CDM606.16-03	右摇杆	LINK R.H.	1	
10	30616100046	CDM606.16-07	垫圈	WASHER	4组	

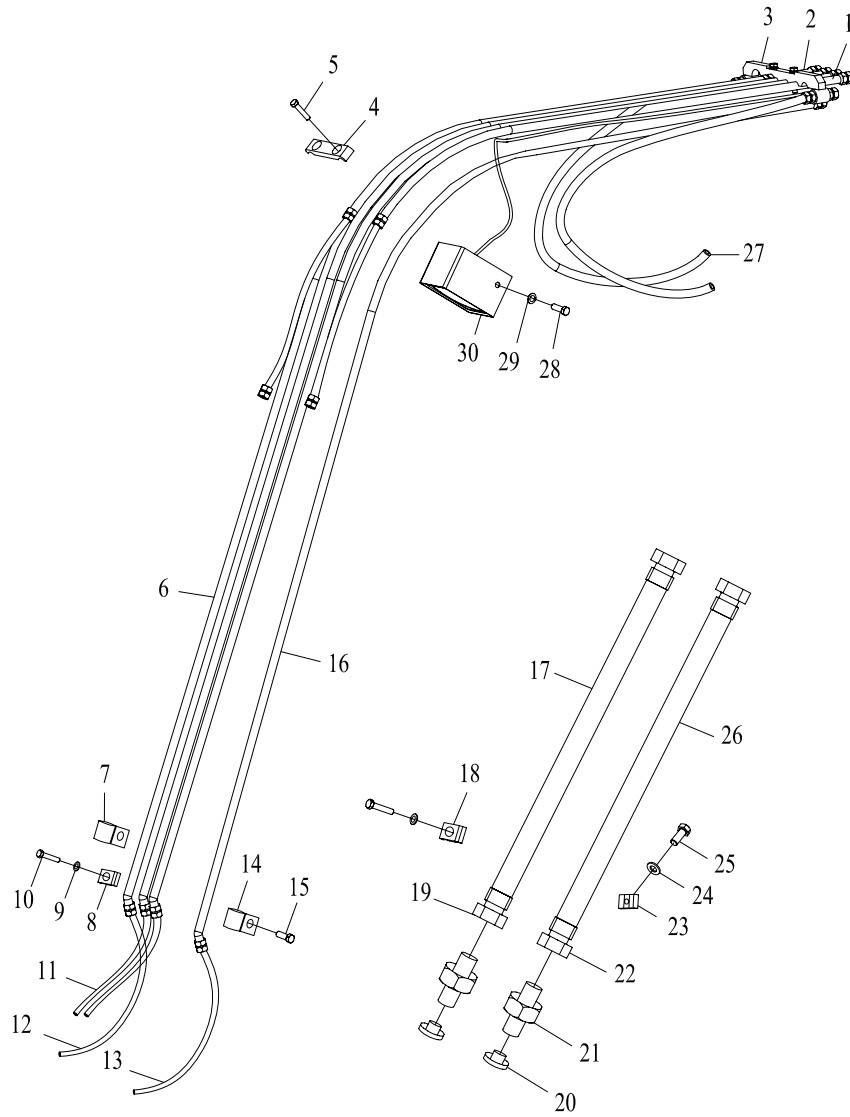
35 推土铲 DOZER



35 推土铲 DOZER

序号 NO.	代码 S.C	代号 CODE	零件名称 PART NAME	PART NAME 零件名称	数量 QTY	备注 NOTE
1	30618000005	LG6065.18.01	推土铲焊接	DOZER WELDING	1	
2	16606053010	油缸Φ110/Φ60	推土油缸	CYLINDER, DOZER	1	
3	30618100000	LG6065.18-01A	U形板	U PLATE	1	
4	51204101022	GB/T5783	螺栓 M10×20	BOLT M10×20	2	
5	51401100122	GB/T93	垫圈 10	WASHER 10	2	
6	30618100019	CDM606.18-02	钢套	STEEL SLEEVE	2	
7	60912010001	VAY	防尘圈 60×50×4	DUST SEAL 60×50×4	4	
8	30613000018	CDM606.13.05	销轴	PIN	2	
9	30615100061	CDM606.15-08	销套	BUSHING	3	
10	51204134222	GB/T5783	螺栓 M16×30	BOLT M16×30	3	
11	30616100243	LG6085.16-06	调整垫 1	ADJUST SHIM 1	4	
12	30618000006	LG6065.18.02	销轴	PIN	1	
13	30613000019	LG6065.13.02	销轴	PIN	1	
14	30618100034	LG6065.18-02	垫圈	WASHER	2	
15	60980000683	671004	油杯 PT1/8	GREASE FITTING PT1/8	2	

36 动臂管路 BOOM LINES

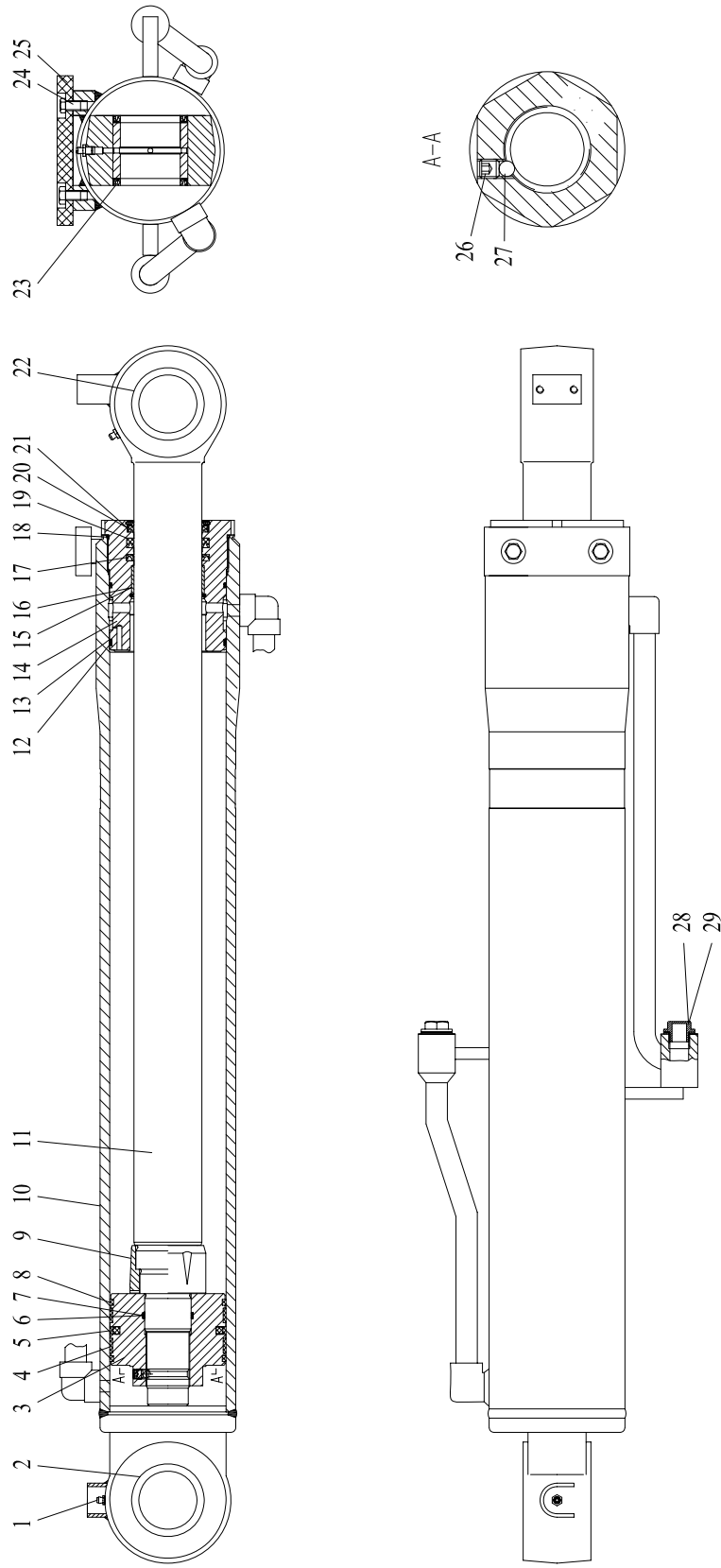


36 动臂管路 BOOM LINES

序号 NO.	代码 S.C	代号 CODE	零件名称 PART NAME	PART NAME 零件名称	数量 QTY	备注 NOTE
1	30615000013	CDM606.15.05	钢管总成	PIPE ASS'Y	2	
2	30615000016	CDM606.15.04	钢管总成	PIPE ASS'Y	2	
3	30615000002	CDM606.15.03A	管夹总成	PIPE CLAMP ASS'Y	1	
4	30615100030	CDM606.15-06A	管夹	PIPE CLAMP	1	
5	51203101621	GB/T5782	螺栓 M10×50	BOLT M10×50	4	
6	30615000154	CDM606.15.10A	钢管总成	PIPE ASS'Y	1	带护套 WITH SLEEVE
7	30615100032	CDM606.15-11	管夹	PIPE CLAMP	1	
8	30615100033	CDM606.15-04	管夹	PIPE CLAMP	1	
9	51401100122	GB/T93	垫圈 10	WASHER 10	11	
10	51203101421	GB/T5782	螺栓 M10×40	BOLT M10×40	1	
11	17272002972	F381CACA151508-1010-SG1010	胶管总成	HOSE ASS'Y	2	带钢丝 WITH STEEL WIRE
12	17272000060	F481CACF181810-1030-PG1030	软管总成	HOSE ASS'Y	1	带护套 WITH SLEEVE
13	17272000025	F381CACF151508-1030-PG1030	软管总成	HOSE ASS'Y	1	带护套 WITH SLEEVE
14	30615100031	CDM606.15-10	管夹	PIPE CLAMP	1	
15	51203101521	GB/T5782	螺栓 M10×45	BOLT M10×45	4	
16	30615000153	CDM606.15.09A	钢管总成	PIPE ASS'Y	1	带护套 WITH SLEEVE
17	30616000009	CDM606.16.05	钢管总成	PIPE ASS'Y	1	
18	30615100032	CDM606.15-11	管夹	PIPE CLAMP	2	
19	60911010667	EGE18LREDA3C	直通接头 G1/2-M26×1.5	STRAIGHT CONNECTOR	1	
20	60911010059	VST11/2EDA3C	堵头	PLUG	2	
21	60304000002	BKH-G1/2-SW9	球阀	BALL VALVE	2	
22	17601000636	L2GC-08-22WWD	过渡接头	STRAIGHT CONNECTOR	1	
23	30615100031	CDM606.15-10	管夹	PIPE CLAMP	2	
24	51401100122	GB/T93	垫圈 10	WASHER 10	4	
25	51203101621	GB/T5782	螺栓 M10×50	BOLT M10×50	4	
26	30616000008	CDM606.16.06	钢管总成	PIPE ASS'Y	1	
27	17272000017	F381CACA151510-1100-PG1100	胶管总成	HOSE ASS'Y	2	带护套 WITH SLEEVE
28	51401110122	GB/T93	垫圈12	WASHER 12	2	
29	51204111022	GB/T5783	螺栓 M12×20	BOLT M12×20	2	
30	30615000003	CDM606.15.08	工作灯座	SEAT, WORK LAMP	1	

37 动臂油缸

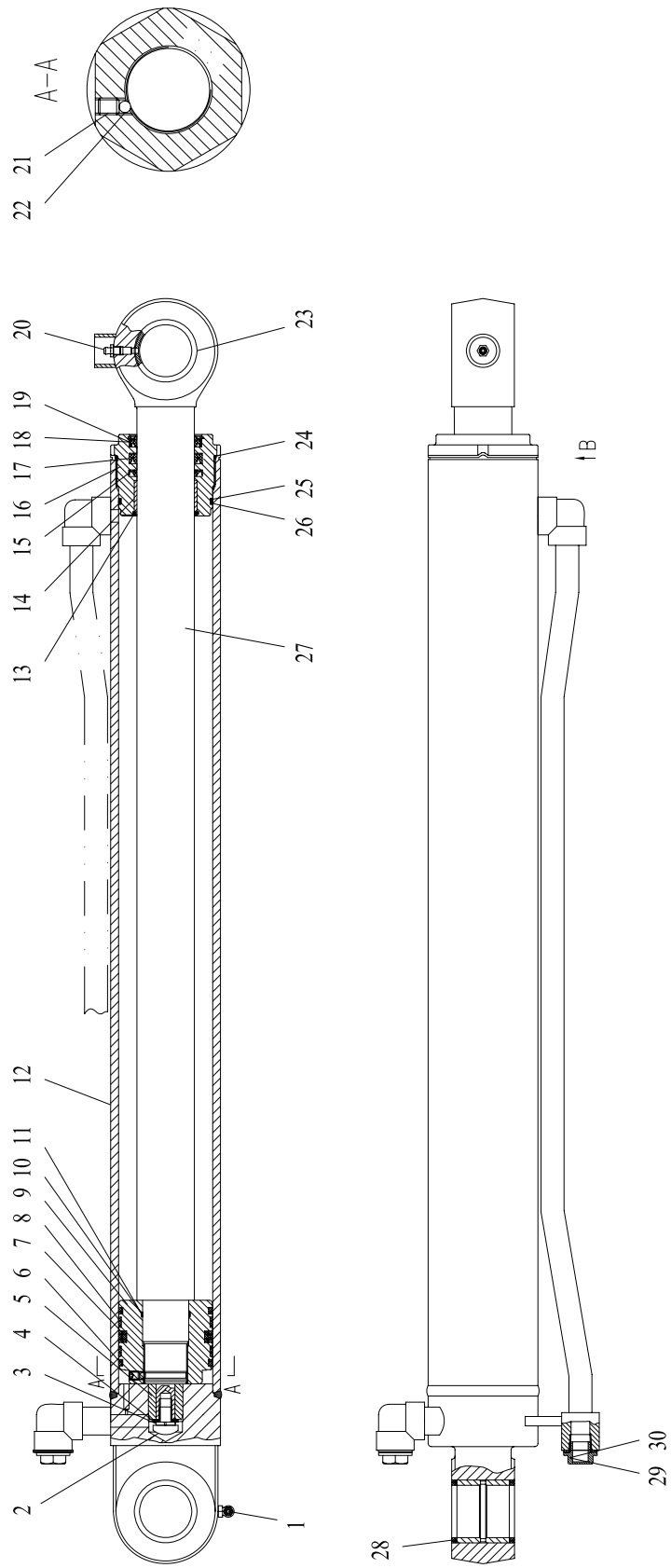
BOOM CYLINDER



37 动臂油缸 BOOM CYLINDER

序号 NO.	代码 S.C	代号 CODE	零件名称 PART NAME	PART NAME 零件名称	数量 QTY	备注 NOTE
1	56201000501	JB/T7940.1	油杯 PT1/8	GREASE FITTING PT1/8	2	
2	36606090370	LG606.02900-0001B	轴套	BUSHING	1	
3	36606020420	LG6065.029-0001A	活塞	PISTON	1	
4	56199000601	支承环	支承环114×120×15	BACK-UP RING 114×120×15	2	
5	56189000401	格莱圈型	活塞密封圈120×104×7.5	PISTON SEAL 120×104×7.5	1	
6	56145012404	GB/T3452.1	O形圈47.5×2.65	O-RING 47.5×2.65	1	
7	56192002301	挡圈	挡圈48×52×1.25	RETAINER 48×52×1.25	2	
8	56200000401	纳污环	纳污环120×112×6.2	POLLUTANT RING 120×112×6.2	2	
9	36606060110	LG6065.029-0002	缓冲套	CUSHION COLLAR	1	
10	36606010150	LG6065.029-1000	缸体	CYLINDER BLOCK	1	
11	36606040140	LG6065.029-2000	活塞杆组件	PISTON ROD	1	
12	56908000504	JISB2401	O形圈114.4×3.1	O-RING 114.4×3.1	2	
13	56192000901	挡圈	挡圈115×120×1.5	RETAINER 115×120×1.5	3	
14	36606030120	LG6065.029-0003	导向套	GUIDE SLEEVE	1	
15	52500000801	钢背轴承	钢背轴承70×75×30	STEEL-BACKED 70×75×30	1	
16	36606110160	LG606.02900-0009A	挡圈	RETAINER	1	
17	56188003701	缓冲圈	缓冲圈70×85.5×6.3	CUSHION COLLAR 70×85.5×6.3	1	
18	56908000604	JISB2401	O形圈119.4×3.1	O-RING 119.4×3.1	1	
19	56187001801	轴用密封圈	轴用密封圈70×85×10	SEAL RING 70×85×10	1	
20	56193002301	骨架防尘圈	防尘圈70×84×8.5	DUST SEAL 70×84×8.5	1	
21	36606110170	LG606.02900-0004	挡圈	RETAINER	1	
22	36606090380	LG606.02900-0007B	轴套	BUSHING	1	
23	56186000301	端头防尘圈	防尘圈60×75×4	DUST SEAL 60×75×4	4	
24	51203103414	GB/T5782	螺栓 M10×15	BOLT M10×15	2	
25	36606260090	LG606.02900-0008	导向板	GUIDE PLATE	1	
26	51106221607	GB/T77	螺钉 M10×10	SCREW M10×10	1	
27	52900000402	GB/T308	钢球8	STEEL BALL Φ8	1	
28	60303800001	LS	螺塞 G1/2	PLUG SCREW G1/2	2	
29	60303800007	DQ	垫圈22×32×2	WASHER 22×32×2	2	

38 斗杆油缸
ARM CYLINDER

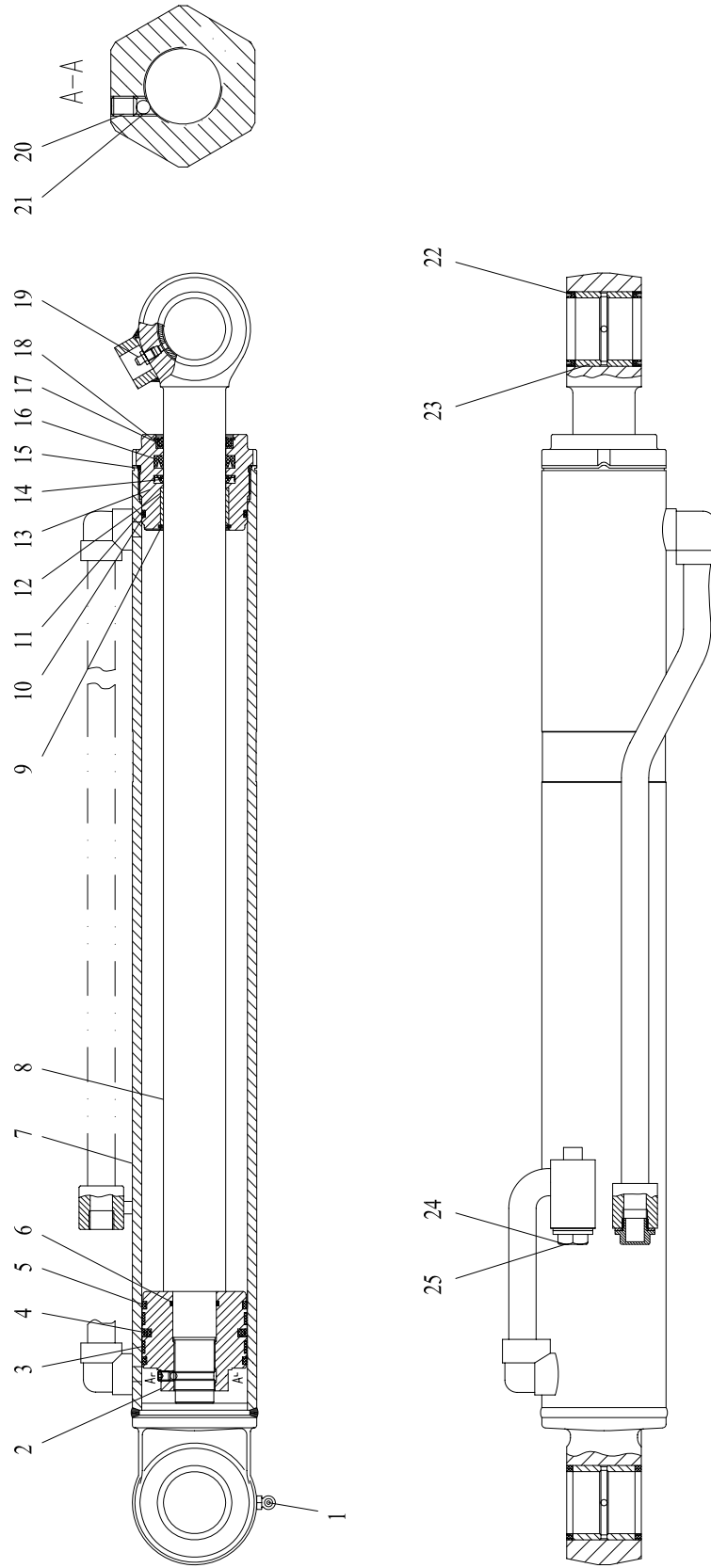


38 斗杆油缸 BOOM CYLINDER

序号 NO.	代码 S.C	代号 CODE	零件名称 PART NAME	PART NAME 零件名称	数量 QTY	备注 NOTE
1	56203000401	JB/T7940.2	油杯90° PT1/8	GREASE FITTING 90° PT1/8	1	
2	51152231304	GB/T2672	螺钉 M12×16	SCREW M12×16	1	
3	51401110107	GB/T93	垫圈12	WASHER 12	1	
4	51421110119	GB/T97.1	垫圈12	WASHER 12	1	
5	36606060100	LG606.03000-0001	缓冲套	CUSHION COLLAR	1	
6	56200002001	纳污环	纳污环90×82×6.2	POLLUTANT RING 90×82×6.2	2	
7	56190002401	组合型密封件	活塞密封圈90×75×11	PISTON SEAL 90×75×11	1	
8	56199003101	支承环	支承环85×90×9.7	BACK-UP RING 85×90×9.7	2	
9	36606020430	LG606.03000-0002C	活塞	PISTON	1	
10	56145011404	GB/T3452.1	O形圈43.7×2.65	O-RING 43.7×2.65	1	
11	56192001901	挡圈	挡圈44×48×1.25	RETAINER 44×48×1.25	2	
12	36606010120	LG606.03000-1000	缸体	CYLINDER BLOCK	1	
13	36606110100	LG606.03000-0003A	挡圈	RETAINER	1	
14	52500000401	钢背轴承	钢背轴承55×60×30	STEEL-BACKED BEARING 55×60×30	1	
15	56188000501	缓冲圈	缓冲圈55×70.5×6.3	CUSHION COLLAR 55×70.5×6.3	1	
16	36606030130	LG606.03000-0004C	导向套	GUIDE SLEEVE	1	
17	56187001201	轴用密封圈	轴用密封圈55×70×10	SEAL RING 55×70×10	1	
18	56193001901	骨架防尘圈	防尘圈55×69×8.5	DUST SEAL 55×69×8.5	1	
19	36606110110	LG606.03000-0006	挡圈	RETAINER	1	
20	56201000501	JB/T7940.1	油杯 PT1/8	GREASE FITTING	1	
21	51106211207	GB/T77	螺钉 M8×12	SCREW M8×12	1	
22	52900000502	GB/T308	钢球6	STEEL BALL 6	1	
23	36606090390	LG606.03000-0005B	轴套	BUSHING	2	
24	56908001404	JISB2401	O形圈89.4×3.1	O-RING 89.4×3.1	1	
25	56192003801	挡圈	挡圈85×90×1.5	RETAINER 85×90×1.5	1	
26	56908001304	JISB2401	O形圈84.4×3.1	O-RING 84.4×3.1	1	
27	36606040110	LG606.03000-2000A	活塞杆组件	PISTON ROD	1	
28	56186000101	端头防尘圈	防尘圈50×60×4	DUST SEAL 50×60×4	4	
29	60303800001	LS	螺塞 G1/2	PLUG SCREW G1/2	2	
30	60303800007	DQ	垫圈22×32×2	WASHER 22×32×2	2	

39 铲斗油缸

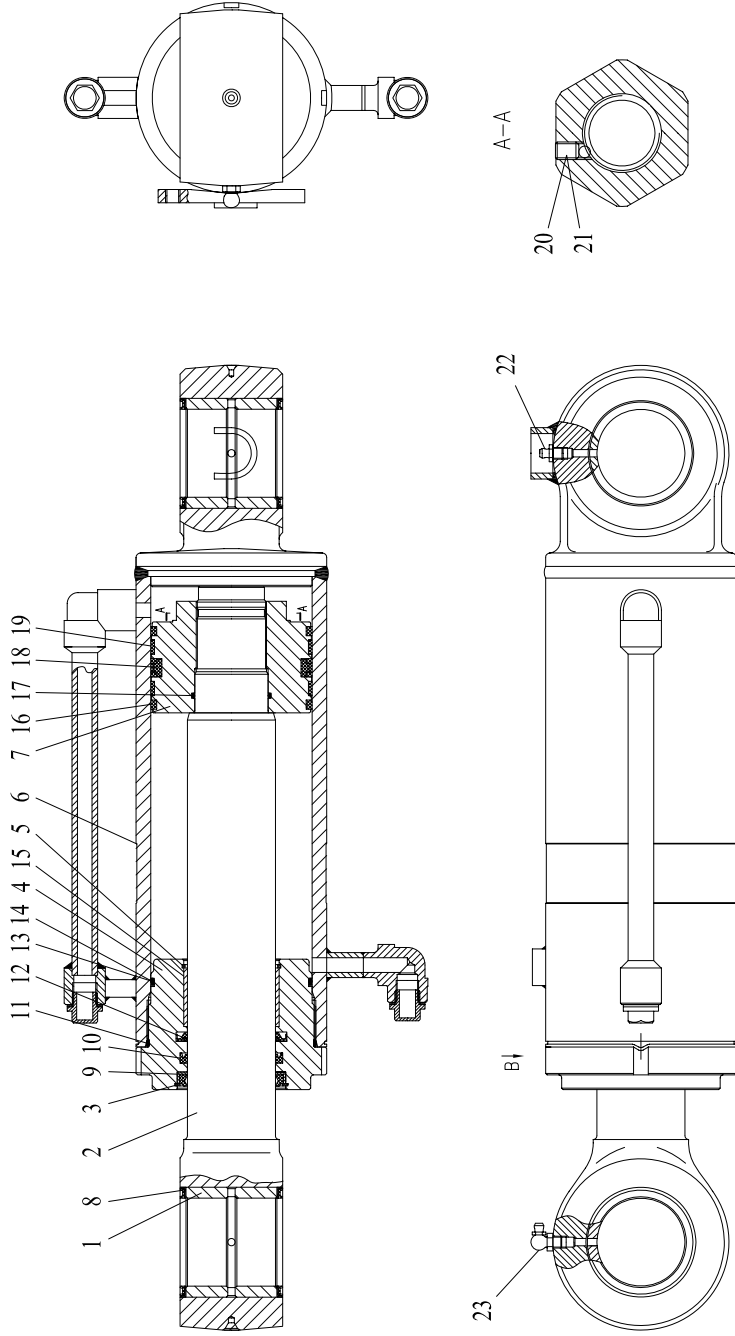
BUCKET CYLINDER



39 铲斗油缸 ARM CYLINDER

序号 NO.	代码 S.C	代号 CODE	零件名称 PART NAME	PART NAME 零件名称	数量 QTY	备注 NOTE
1	56203000401	JB/T7940.2	油杯90° PT1/8	GREASE FITTING 90° PT1/8	1	
2	36606020440	LG606.03100-0001B	活塞	PISTON	1	
3	56199003001	支承环	支承环80×85×9.7	BACK-UP RING 80×85×9.7	2	
4	56189002401	格莱圈型	活塞密封圈85×70×7.5	SEAL RING, PISTON 85×70×7.5	1	
5	56200001901	纳污环	纳污环85×77×6.2	POLLUTANT RING 85×77×6.2	2	
6	56145009204	GB/T3452.1	O形圈34.5×2.65	O-RING 34.5×2.65	1	
7	36606010130	LG606.03100-1000	缸体	CYLINDER BLOCK	1	
8	36606040120	LG606.03100-2000	活塞杆组件	PISTON ROD	1	
9	36606110130	LG606.03100-0002A	挡圈	RETAINER	1	
10	56908002204	JISB2401	O形圈79.4×3.1	O-RING 79.4×3.1	1	
11	56192003401	挡圈	挡圈80×85×1.5	RETAINER 80×85×1.5	1	
12	52500000301	钢背轴承	钢背轴承50×55×30	STEEL-BACKED BEARING 50×55×30	1	
13	36606030100	LG606.03100-0003C	导向套	GUIDE SLEEVE	1	
14	56188000401	缓冲圈	缓冲圈50×65.5×6.3	CUSHION COLLAR 50×65.5×6.3	1	
15	56908001304	JISB2401	O形圈84.4×3.1	O-RING 84.4×3.1	1	
16	56187000901	轴用密封圈	轴用密封圈50×65×10	SEAL RING 50×65×10	1	
17	56193000501	骨架防尘圈	防尘圈50×62×7	DUST SEAL 50×62×7	1	
18	36606110120	LG606.03100-0004	挡圈	RETAINER	1	
19	56201000501	JB/T7940.1	油杯 PT1/8	GREASE FITTING PT1/8	1	
20	51106211107	GB/T77	螺钉 M8×10	SCREW M8×10	1	
21	52900000502	GB/T308	钢球6	STEEL BALL 6	1	
22	56186000101	端头防尘圈	防尘圈50×60×4	DUST SEAL 50×60×4	4	
23	36606090390	LG606.03000-0005B	轴套	BUSHING	2	
24	60303800001	LS	螺塞 G1/2	PLUG SCREW G1/2	2	
25	60303800007	DQ	垫圈22×32×2	WASHER 22×32×2	2	

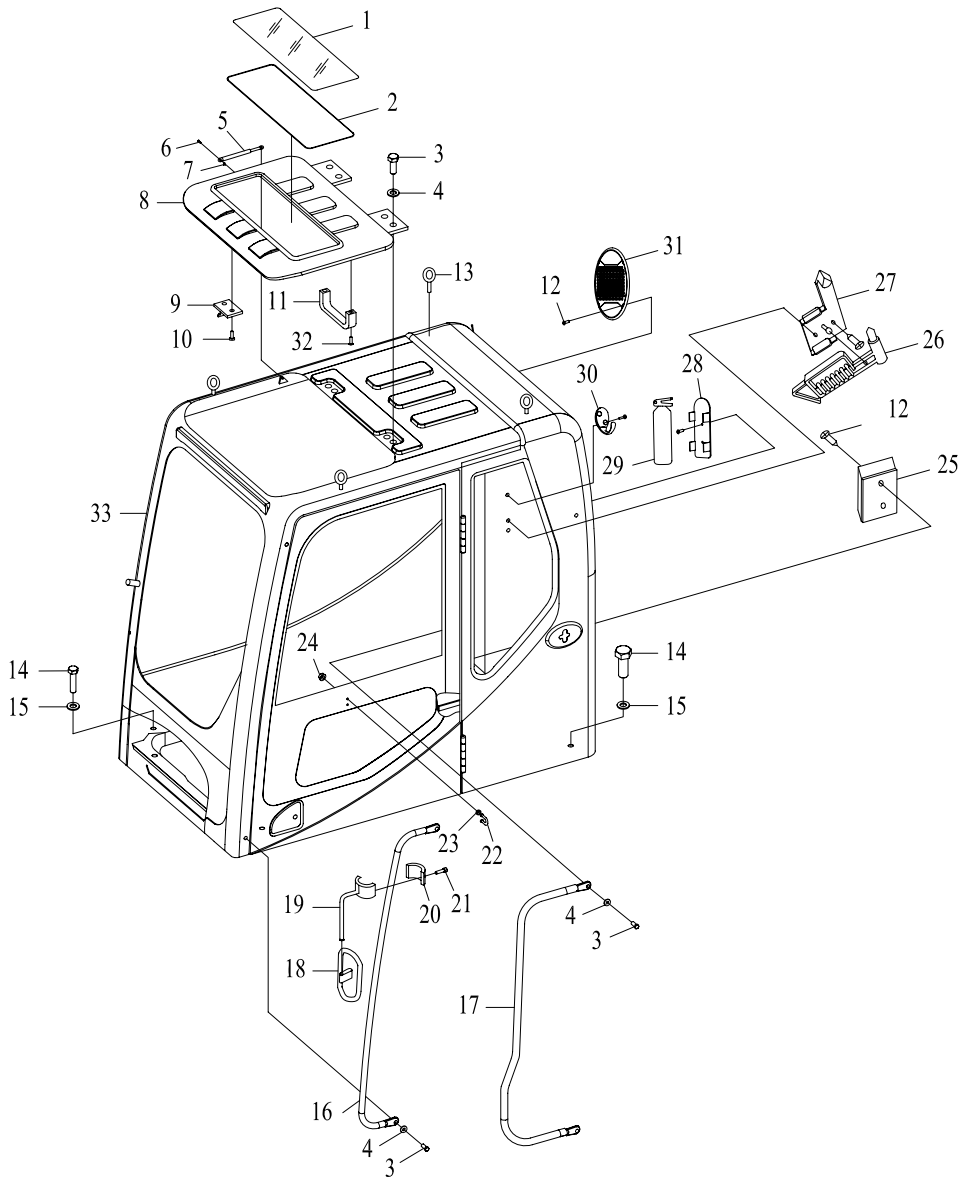
40 推土铲油缸
DOZER CYLINDER



40 推土铲油缸
BUCKET CYLINDER

序号 NO.	代码 S.C	代号 CODE	零件名称 PART NAME	PART NAME 零件名称	数量 QTY	备注 NOTE
1	36606090370	36606090370	轴套	BUSHING	2	
2	36606040160	36606040160	活塞杆	PISTON ROD	1	
3	36606110180	LG6065.032-0004	挡圈	RETAINER	1	
4	36606030140	LG6065.032-0001	导向套	GUIDE SLEEVE	1	
5	36606110190	LG6065.032-0003	挡圈	RETAINER	1	
6	36606010250	LG6065.032-1000	缸体	CYLINDER BLOCK	1	
7	36606020450	LG6065.032-0002A	活塞	PISTON	1	
8	56186000301	端头防尘圈	防尘圈60×75×4	DUST SEAL 60×75×4	4	
9	56193002001	骨架防尘圈	防尘圈60×74×8.5	DUST SEAL 60×74×8.5	1	
10	56187001401	轴用密封圈	轴用密封圈60×70×7	SEAL RING 60×70×7	1	
11	56908000404	JISB2401	O形圈109.4×3.1	O-RING 109.4×3.1	1	
12	56188000601	缓冲圈	缓冲圈60×75.5×6.3	CUSHION COLLAR 60×75.5×6.3	1	
13	56192000301	挡圈	挡圈105×110×1.5	RETAINER 105×110×1.5	1	
14	56908005404	JISB2401	O形圈104.4×3.1	O-RING 104.4×3.1	1	
15	52500000601	钢背轴承	钢背轴承60×65×40	STEEL-BACKED BEARING 60×65×40	1	
16	56200000201	纳污环	纳污环110×102×6.2	POLLUTANT RING 110×102×6.2	2	
17	56900004003	AS568	O形圈48.9×2.62	O-RING 48.9×2.62	1	
18	56190002201	组合型密封件	活塞密封圈110×95×12.5	SEAL RING, PISTON 110×95×12.5	1	
19	56199005801	支承环	支承环105×110×9.7	BACK-UP RING 105×110×9.7	2	
20	51106211107	GB/T77	螺钉 M8×10	SCREW M8×10	1	
21	52900000502	GB/T308	钢球6	STEEL BALL 6	1	
22	56201000501	JB/T7940.1	油杯 PT1/8	GREASE FITTING PT1/8	1	
23	56203000401	JB/T7940.2	油杯90° PT1/8	GREASE FITTING 90° PT1/8	1	
24	60303800003	LS	螺塞 G3/8	PLUG SCREW G3/8	2	
25	60303800076	DQ	垫圈17×26×1.5	WASHER 17×26×1.5	2	

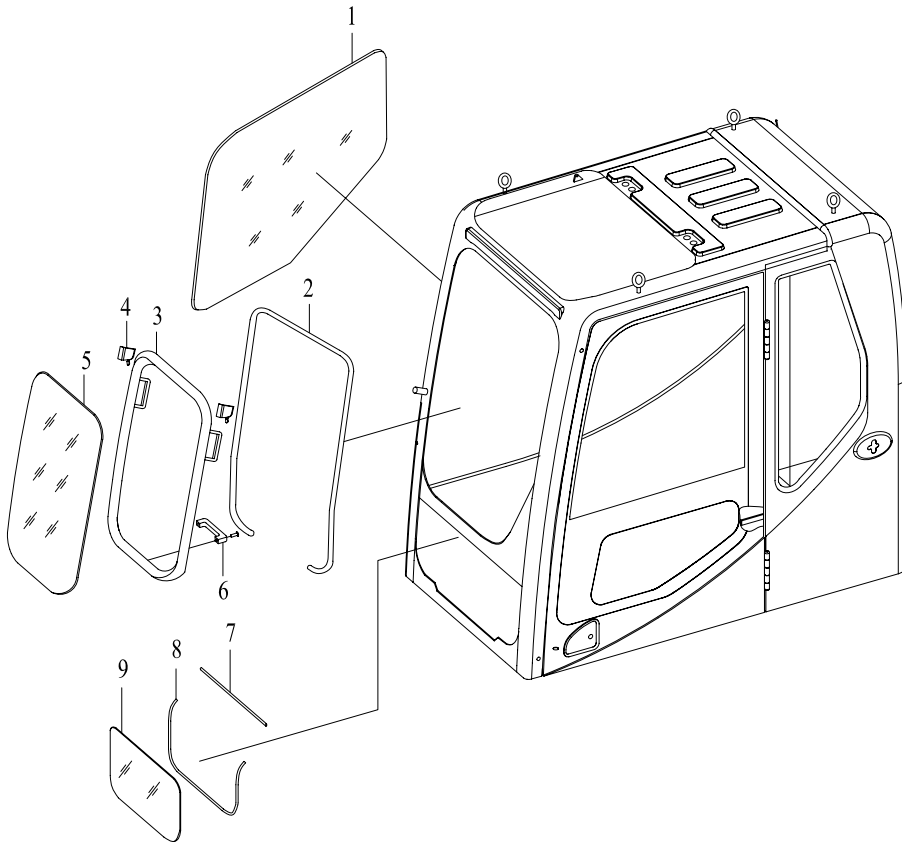
41 驾驶室 I OPERATOR'S CAB I



41 驾驶室 I OPERATOR'S CAB I

序号 NO.	代码 S.C	代号 CODE	零件名称 PART NAME	PART NAME 零件名称	数量 QTY	备注 NOTE
1	60980003183	YZ-JSS65-001	天窗玻璃	GLASS, TOP WINDOW	1	
2	60980004022	YZ-JSS65-002	天窗密封条	SEAL, TOP WINDOW	1	
3	51204101022	GB/T5783	螺栓 M10×20	BOLT M10×20	8	
4	51421100121	GB/T97.1	垫圈10	WASHER 10	8	
5	60980003055	YZ-JSS65-003	气弹簧	GAS SPRING	2	
6	60980004023	YZ-JSS65-004	销	PIN	4	
7	51512060701	GB/T91	开口销2×14	COTTER PIN 2×14	4	
8	60980004024	YZ-JSS65-005	天窗框架	FRAME, TOP WINDOW	1	
9	60980003161	YZ-JSS65-023	天窗锁扣	LOCK, TOP WINDOW	1	
10	51204090922	GB/T5783	螺栓 M8×16	BOLT M8×16	2	
11	60980003628	YZ.W-W-018	移窗把手	CATCH, TOP WINDOW	1	
12	51158110610	GB/T818	螺钉 M3×12	SCREW M3×12	17	
13	60980004026	YZ-JSS65-008	吊环	LIFTING RING	4	
14	51204133322	GB/T5783	螺栓 M16×50	BOLT M16×50	4	10.9 级
15	51421130121	GB/T97.1	垫圈16	WASHER 16	7	10.9 级
16	60980004027	YZ-JSS65-009	外上车扶手	OUTER HANDRAIL	1	
17	60980004028	YZ-JSS65-010	内上车扶手	INNER HANDRAIL	1	
18	60980003187	YZ-JSS65-011	观后镜	BACK MIRROR	1	
19	60980004030	YZ-JSS65-012	前架	FRONT FRAME	1	
20	60980004031	YZ-JSS65-013	后架	REAR FRAME	1	
21	51139210408	GB/T70.1	螺栓 M8×20	BOLT M8×20	1	
22	60980004032	YZ-JSS65-014	碰锁扣	LOCK CATCH	1	
23	60980004033	YZ-JSS65-015	橡胶垫	RUBBER PAD	2	
24	51307000922	GB/T6170	螺母 M8	NUT M8	2	
25	60980003202	YZ-JSS65-016	茶杯座	CUP HOLDER	1	
26	60980004035	YZ-JSS65-017	逃生锤	ESCAPE HAMMER	1	
27	60980004036	YZ-JSS65-018	逃生锤座	ESCAPE HAMMER HOLDER	1	
28	60980004037	YZ-JSS65-019	灭火器座	FIRE EXTINGUISHER HOLDER	1	
29	60980004038	YZ-JSS65-020	灭火器	FIRE EXTINGUISHER	1	
30	60980004039	YZ-JSS65-021	衣帽钩	HAT & COAT HOOK	1	
31	60980004040	YZ-JSS65-022	喇叭罩	HORN COVER	1	
32	51139210408	GB/T70.1	螺栓 M8×20	BOLT M8×20	2	
33	60980004041	YZ-JSS65	驾驶室本体	BODY, CABIN	1	

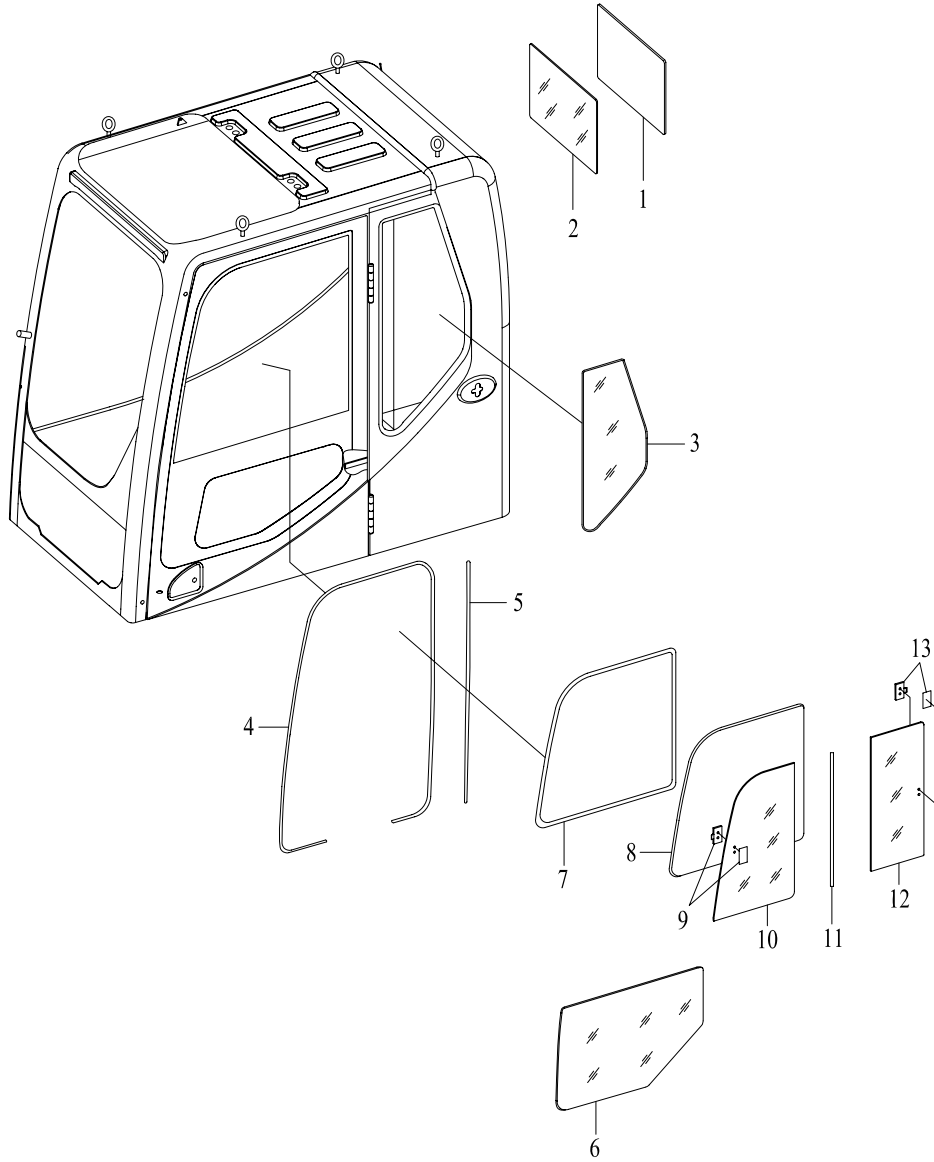
42 驾驶室 II
OPERATOR'S CAB II



42 驾驶室 II
OPERATOR'S CAB II

序号 NO.	代码 S.C	代号 CODE	零件名称 PART NAME	PART NAME 零件名称	数量 QTY	备注 NOTE
1	60980000873	YZ-JSS65-043	右侧玻璃	RIGHT SIDE GLASS	1	
2	60980004042	YZ-JSS65-024	移窗密封条	SEAL, FRONT WINDOW	1	
3	60980004043	YZ-JSS65-025	推拉窗框架	FRAME, FRONT WINDOW	1	
4	60980004044	YZ-JSS65-026	移窗左右锁	LOCK, FRONT WINDOW	2	
5	60980000874	YZ-JSS65-044	前上方玻璃	UPPER GLASS, FRONT WINDOW	1	
6	60980004045	YZ-JSS65-027	推拉窗把手	HANDLE, FRONT WINDOW	1	
7	60980004046	YZ-JSS65-028	上下挡连接条	SEAL	1	
8	60980004047	YZ-JSS65-029	下窗密封条	SEAL, LOWER WINDOW	1	
9	60980000875	YZ-JSS65-045	前下方玻璃	UPPER GLASS, FRONT WINDOW	1	

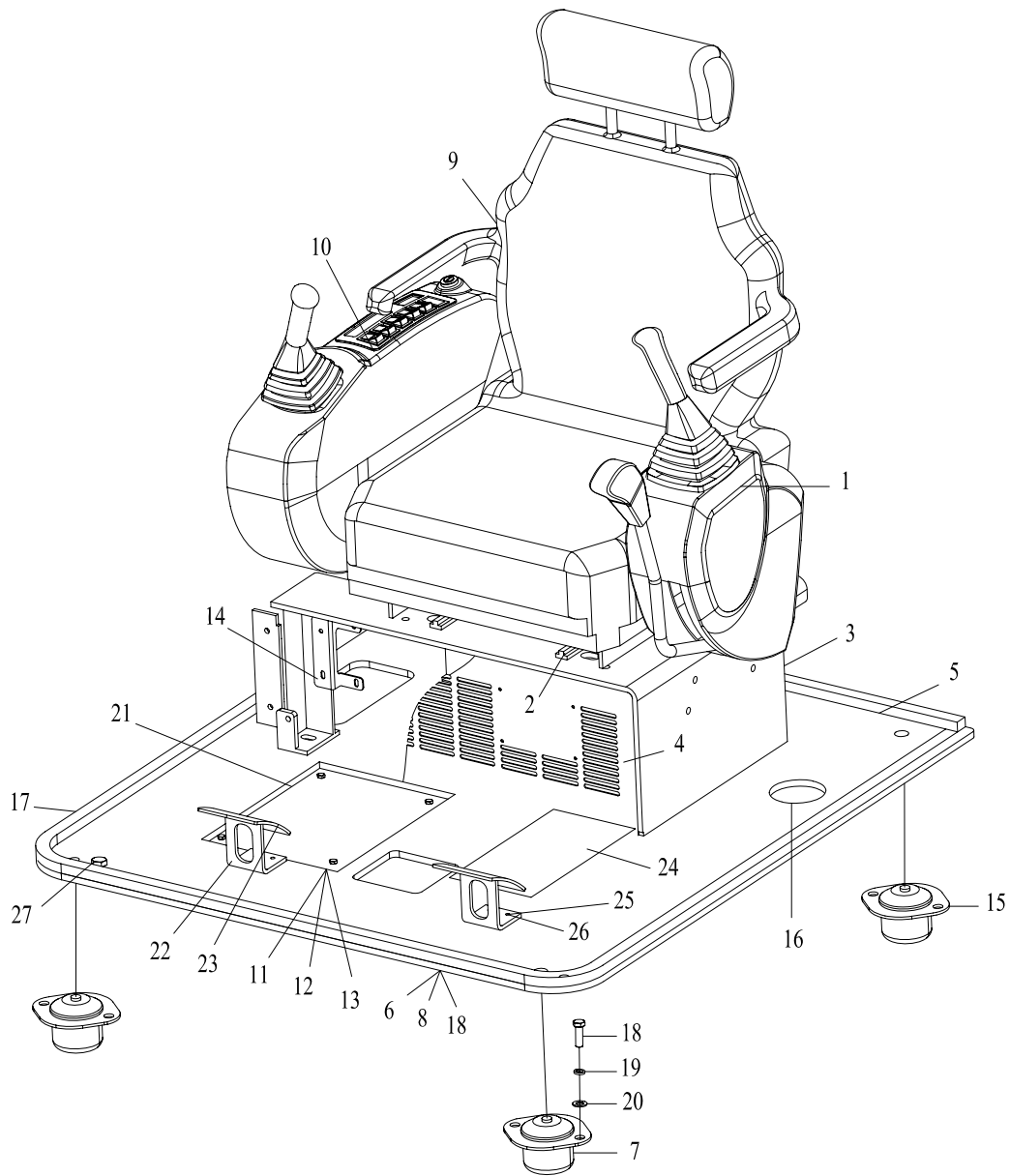
43 驾驶室 III OPERATOR'S CAB III



43 驾驶室 III
OPERATOR'S CAB III

序号 NO.	代码 S.C	代号 CODE	零件名称 PART NAME	PART NAME 零件名称	数量 QTY	备注 NOTE
1	60980004048	YZ-JSS65-030	后窗密封条	SEAL, BACK WINDOW	1	
2	60980004049	YZ-JSS65-031	后挡风玻璃	BACK WINDSCREEN	1	
3	60980004050	YZ-JSS65-032	左后侧玻璃	LEFT SIDE GLASS, REAR	1	
4	60980004051	YZ-JSS65-033	车门密封条	SEAL, DOOR	1	
5	60980004052	YZ-JSS65-034	门立柱边型材	TRIM, DOOR	1	
6	60980004053	YZ-JSS65-035	门下方玻璃	LOWER GLASS, DOOR	1	
7	60980004054	YZ-JSS65-036	门上玻璃框架	SASH, DOOR UPPER	1	
8	60980004055	YZ-JSS65-037	密封条	SEAL	1	
9	60980004056	YZ-JSS65-038	前锁扣总成	LOCK ASS'Y, FRONT	1	
10	60980004057	YZ-JSS65-039	门上方前玻璃	FRONT GLASS, DOOR UPPER	1	
11	60980004058	YZ-JSS65-040	中间密封	SEAL	1	
12	60980004059	YZ-JSS65-041	门上后玻璃	BACK GLASS, DOOR UPPER	1	
13	60980004060	YZ-JSS65-042	后锁扣总成	LOCK ASS'Y, BACK	1	

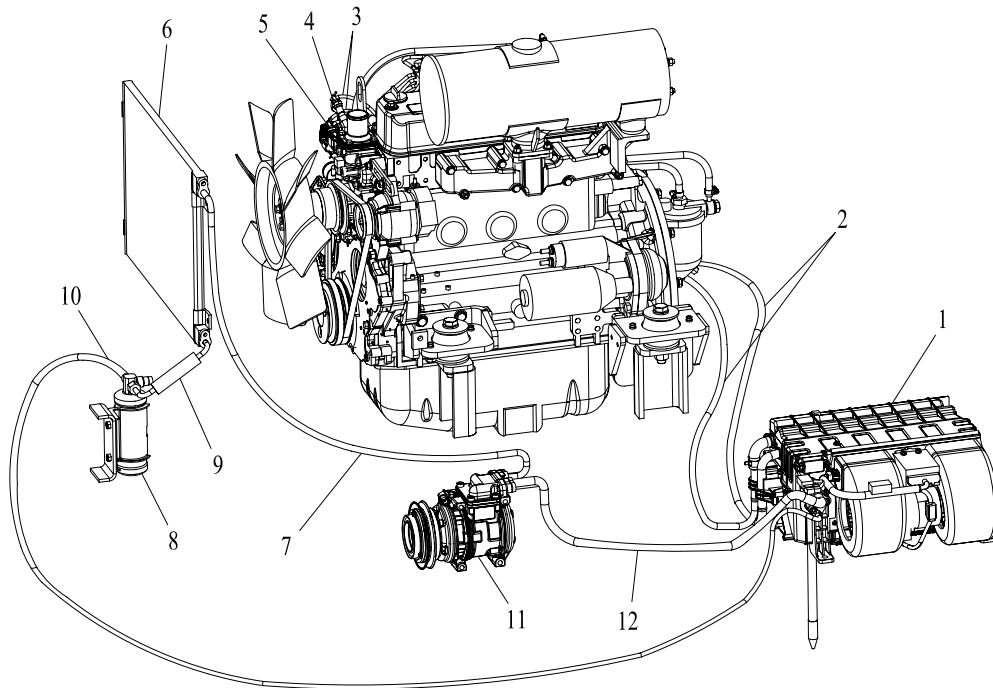
44 座椅安装 SEAT MOUNTING



44 座椅安装 SEAT MOUNTING

序号 NO.	代码 S.C	代号 CODE	零件名称 PART NAME	PART NAME 零件名称	数量 QTY	备注 NOTE
1	60920010090	LG6065-SDL	左操作箱	STAND CASE L.H.	1	
2	30621000004	CDM606.21B.05	司机座椅滑轨安装板	SLIDE TRACK MOUNTING PLATE, SEAT	1	
3	30621000009	LG6065.21.02	座椅底座	SATE BASE	1	
4	30621100064	LG6065.21-09	面板	PANEL	1	
5	30621000008	LG6065.21.01	底板焊合	BOARD WELDING	1	
6	30621100084	LG6065.21-03	吸音海绵1	SOUND-ABSORBINGSPONGE1	1	
7	60922010005	830D-0600019-Q	前减震器	FRONT SHOCK ABSORBER	2	
8	30621100080	LG6065.21-04	吸音海绵2	SOUND-ABSORBINGSPONGE2	1	
9	60920010096	Sc2-21	座椅	SEAT BASE	1	
10	60980004051	LG6065-SDR	右扶手箱	STAND CASE R.H	1	
11	51204090922	GB/T5783	螺栓 M8×16	BOLT M8×16	6	
12	51401090122	GB/T93	垫圈8	WASHER 8	6	
13	51421090121	GB/T97.1	垫圈8	WASHER 8	10	
14	30621100004	CDM606.21B-05	保险丝盒安装板	MOUNTINGPLATE,FUSE CASE	1	
15	60922010002	830D-0600019-00	后减震器	REAR SHOCK ABSORBER	2	
16	30621101925	LG6230.21-01	橡胶护套	RUBBER SLEEVE	2	
17	30621100081	LG6065.21-05	吸音海绵3	SOUND-ABSORBINGSPONGE3	1	
18	51204101122	GB/T5783	螺栓 M10×25	BOLT M10×25	26	
19	51401100122	GB/T93	垫圈10	WASHER 8	30	
20	51421100121	GB/T97.1	垫圈10	WASHER 8	30	
21	30621100078	LG6065.21-07	检修板1	PLATE 1	1	
22	30621000027	CDM606.21B.02	脚踏板	FOOT PEDAL	2	
23	30621100034	CDM606.21A-11	脚踏橡胶	RUBBER PEDAL	2	
24	30621100079	LG6065.21-08	检修板2	PLATE 2	1	
25	51204070922	GB/T5783	螺栓 M5×16	BOLT M5×16	8	
26	51421070121	GB/T97.1	垫圈5	WASHER 5	8	
27	51204121422	GB/T5783	螺栓 M14×40	BOLT M14×40	4	

45 空调系统 AIR CONDITIONER SYSTEM

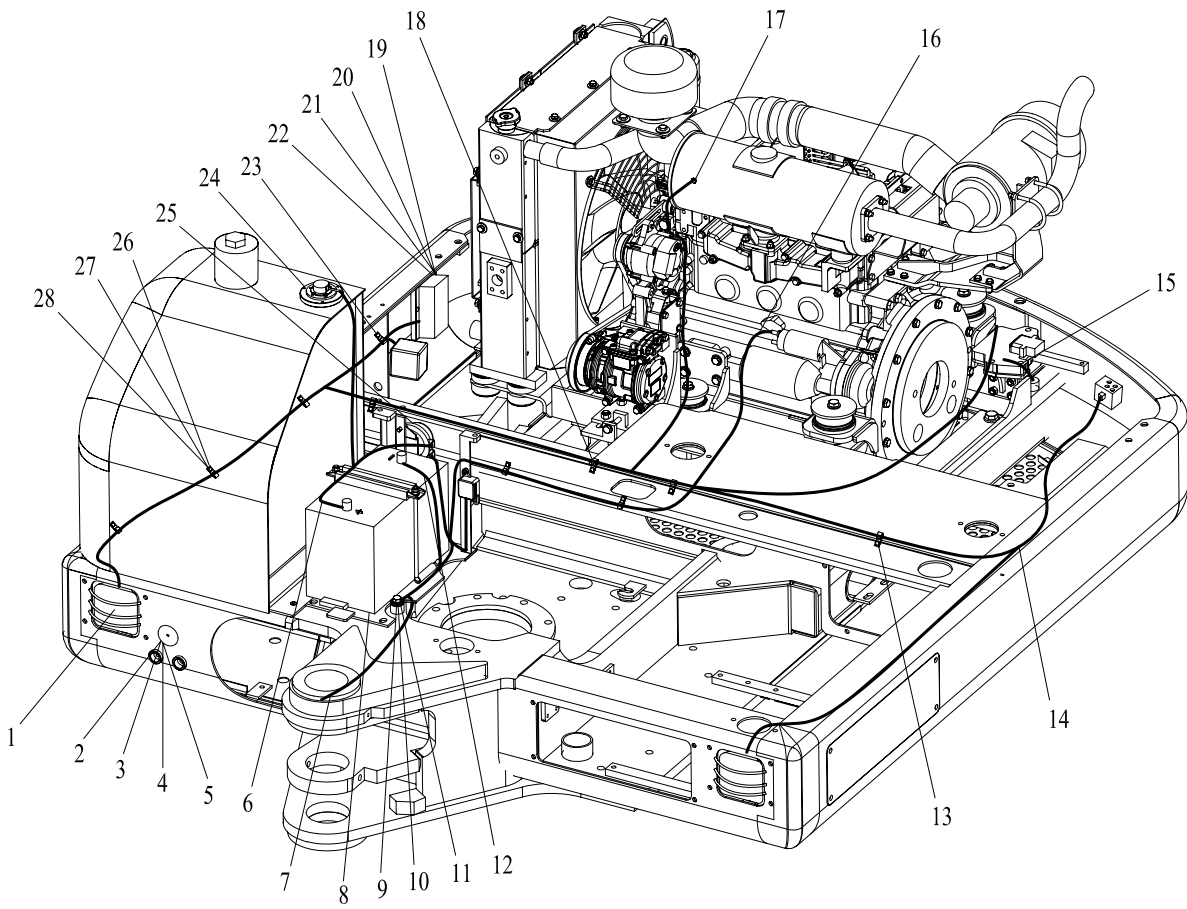


45 空调系统

AIR CONDITIONER SYSTEM

序号 NO.	代码 S.C	代号 CODE	零件名称 PART NAME	PART NAME 零件名称	数量 QTY	备注 NOTE
1	30608000065	LG6065.08A.01	蒸发器安装总成	EVAPORATOR ASSEMBLY	1	
2	60911013763	JD4289-0070	暖水管	HOT WATER PIPE	1	
3	56902002002	DIN3017-1	卡箍 A-16~25/9	CLAMP A-16~25/9	4	
4	60304000086	JD4823-0010	暖水阀1	HOT WATER VALVE 1	2	
5	60304000087	JD4823-0020	暖水阀2	HOT WATER VALVE 2	2	
6	30608000061	CDM606.08A.03	冷凝器安装总成	CONDENSER OUTLET PIPE ASS'Y	1	
7	60911013455	T30094-0992	排气软管总成	EXHAUST HOSE ASS'Y	1	
8	30608000063	CDM606.08A.05	干燥瓶安装总成	DRYING BOTTLE OUTLET PIPE ASS'Y	1	
9	60911013454	T30444-0530a	冷凝器出口管总成	CONDENSER ASS'Y	1	
10	60911013453	T30444-0472	干燥瓶出口管总成	DRYING BOTTLE OUTLET PIPE ASS'Y	1	
11	30608000060	CDM606.08A.02	压缩机安装总成	COMPRESSOR ASS'Y	1	
12	60911013456	T30104-0901	吸气软管总成	SUCTION HOSE	1	

46 电气系统 I ELECTRICAL SYSTEM I

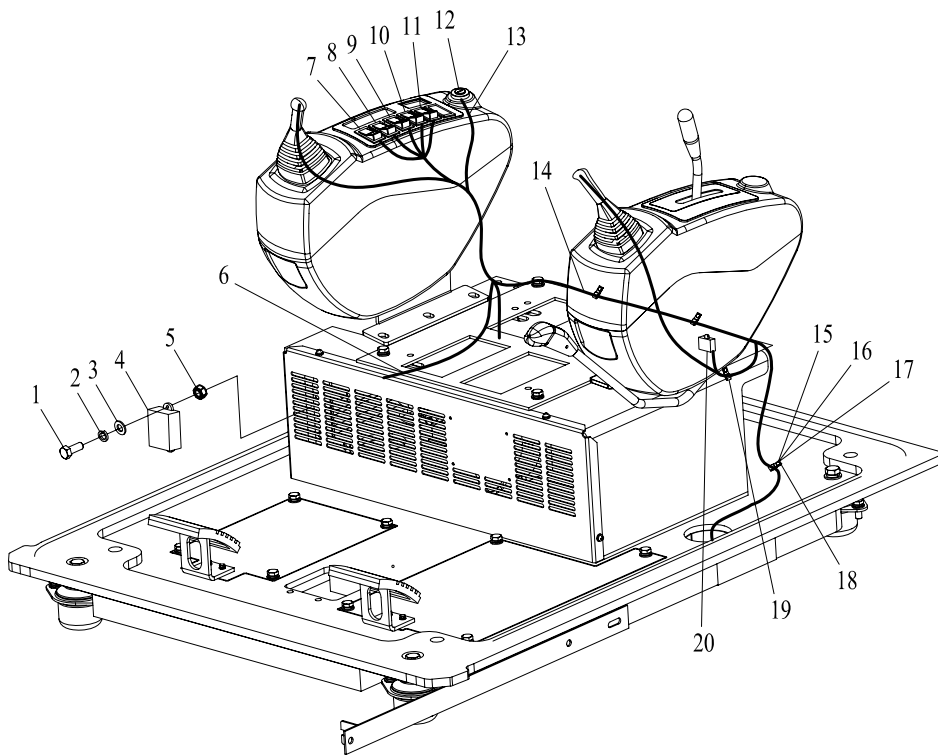


46 电气系统 I
ELECTRICAL SYSTEM I

序号 NO.	代码 S.C	代号 CODE	零件名称 PART NAME	PART NAME 零件名称	数量 QTY	备注 NOTE
1	60402050004	Y-212	工作灯	WORK LAMP	3	
2	60401050001	3AL002952-017	喇叭	HORN	1	
3	51204090918	GB/T5783	螺栓 M8×16	BOLT M8×16	1	
4	51401090107	GB/T93	垫圈8	WASHER 8	1	
5	51421090115	GB/T97.1	垫圈8	WASHER 8	1	
6	30607000340	LG6065.07B.01.02	电源电缆	POWER SUPPLY CABLE	1	
7	30607000343	LG6065.07B.01.05	动臂灯线束	BOOM LAMP WIRING HARNES	1	
8	30607000347	LG6065.07B.01.08	蓄电池组件	BATTERY ASS'Y	1	
9	51204101018	GB/T5783	螺栓 M10×20	BOLT M10×20	3	
10	51401100107	GB/T93	垫圈10	WASHER 10	3	
11	51421100115	GB/T97.1	垫圈10	WASHER 10	3	
12	30607000342	LG6065.07B.01.04	负极电缆	NEGATIVE POLE	1	
13	60911011058	3700935	线夹35	CLIP 35	3	
14	30607000339	LG6065.07B.01.01	车身线束	CAR BODY WIRING HARNES	1	
15	30607000344	LG6065.07B.01.06	搭铁电缆	EARTHING CABLE	1	
16	30607000341	LG6065.07B.01.03	起动电缆	START CABLE	1	
17	60402020004	306-STR-Z3/8	水温传感器	WATER TEMPRETURE SENSOR	1	
18	60480050005	3700913EO	线夹25	CLIP 25	6	
19	30607000345	LG6065.07B.01.07	继电器盒	RELAY BOX	1	
20	51204101022	GB/T5783	螺栓 M10×20	BOLT M10×20	2	
21	51401100122	GB/T93	垫圈10	WASHER 10	2	
22	51421100121	GB/T97.1	垫圈10	WASHER 10	2	
23	60911010029	3700912EO	线夹16	CLIP 16	5	
24	60402020005	RG-L550/D	燃油油位传感器	FUEL LEVEL SENSOR	1	
25	30607000348	LG6065.07B.01.09	蓄电池继电器组件	BATTERY RELAY ASS'Y	1	
26	51307000922	GB/T6170	螺母 M8	NUT M8	13	
27	51401090122	GB/T93	垫圈 8	WASHER 8	13	
28	60911011057	3700911EO	线夹6	CLIP 6	3	

47 电气系统 II

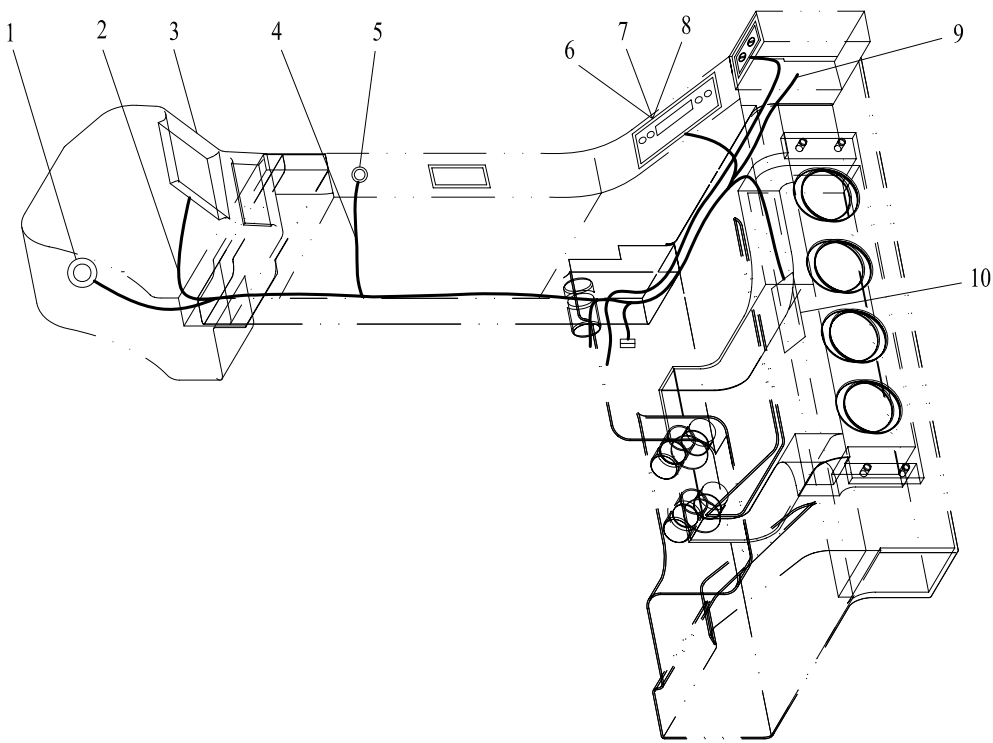
ELECTRICAL SYSTEM II



47 电气系统 II
ELECTRICAL SYSTEM II

序号 NO.	代码 S.C	代号 CODE	零件名称 PART NAME	PART NAME 零件名称	数量 QTY	备注 NOTE
1	51158170610	GB/T818	螺钉 M5×16	BOLT M5×10	6	
2	51401070122	GB/T93	垫圈5	WASHER 5	2	
3	51421070121	GB/T97.1	垫圈5	WASHER 5	2	
4	60406040001	BX2122	保险盒	FUSE BOX	1	
5	51307000722	GB/T6170	螺母 M5	NUT M5	2	
6	30607000352	LG6065.07B.02.03	保险盒线束	FUSE BOX WIRING HARNESS	1	
7	60405020010	JK932-046-2.5	雨刮开关	WINDOW WIPER SWITCH	1	
8	60405020140	JK932-008-2.6	喷水开关	BREAK SWITCH	1	
9	60405020148	JK932-001-7.96	破碎开关	BREAKER SWITCH	1	
10	60405020139	JK932-086-3.67	灯开关	LAMP SWITCH	1	
11	60405020008	JK932-001-2.61	行走高低速开关	HIGH/LOW SPEED SWITCH	1	
12	60405020007	JK406C-2	钥匙开关	KEY SWITCH	1	
13	30607000353	LG6065.07B.02.04	钥匙开关线束	KEY SWITCH WIRING HARNES	1	
14	30607000350	LG6065.07B.02.01	驾驶室线束	CABIN WIRING HARNESS	1	
15	51204090922	GB/T5783	螺栓 M8×16	BOLT M8×16	4	
16	51421090121	GB/T97.1	垫圈 8	WASHER 8	4	
17	51401090122	GB/T93	垫圈 8	WASHER 8	4	
18	60480050005	3700913EO	线夹 25	CLIP 25	3	
19	30615100311	LG6150.15-17	润滑管夹	LUBRICATION CLIP	1	
20	60405020080	D4MC-5040	限位开关	INSERT SWITCH	1	

48 电气系统 III
ELECTRICAL SYSTEM III

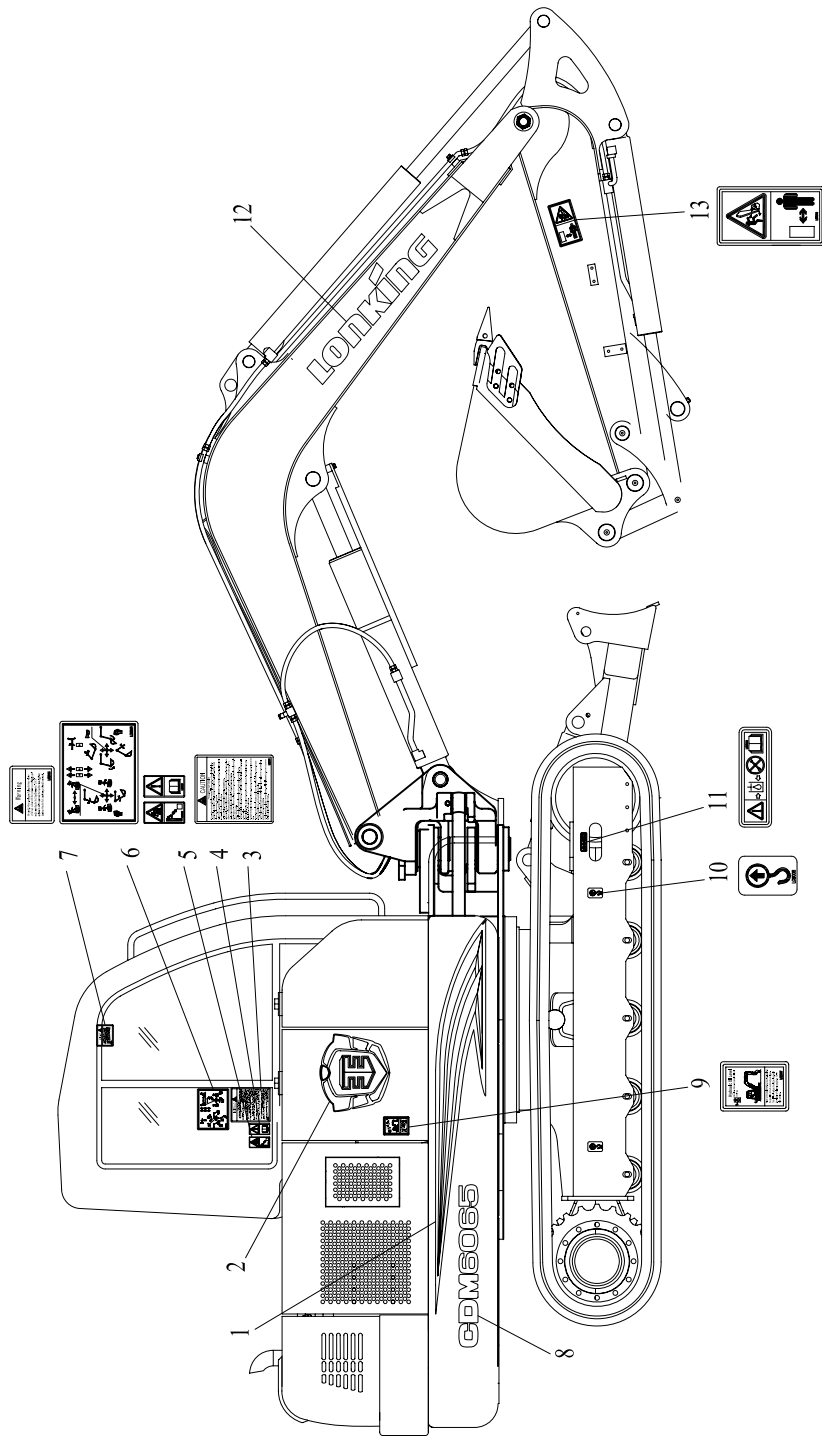


48 电气系统 III
ELECTRICAL SYSTEM III

序号 NO.	代码 S.C	代号 CODE	零件名称 PART NAME	PART NAME 零件名称	数量 QTY	备注 NOTE
1	60401010002	ZD1032C	雨刮电机	WINDOW WIPER MOTOR	1	
2	30607000351	LG6065.07B.02.02	仪表线束	MONITOR WIRING HARNESS	1	
3	60402010010	WDJLONG65-10	显示器	MONITOR	1	
4	30607000354	LG6065.07B.02.05	驾驶室内饰线束	CABIN WIRING HARNESS	1	
5	60406080001	DY737	点烟器	LIGHTER	1	
6	51420070122	GB/T96.1	垫圈5	WASHER 5	4	
7	51158170610	GB/T818	螺钉 M5×16	BOLT M5×16	6	
8	60401060001	HG-8888A	收音机	RADIO	1	
9	30607000356	LG6065.07B.02.07	驾驶室壁线线束	CABIN WIRING HARNESS	1	
10	30607000355	LG6065.07B.02.06	GPS 终端系统	GPS	1	

49 铭牌安置图 I

NAMEPLATE RECOGNITION I

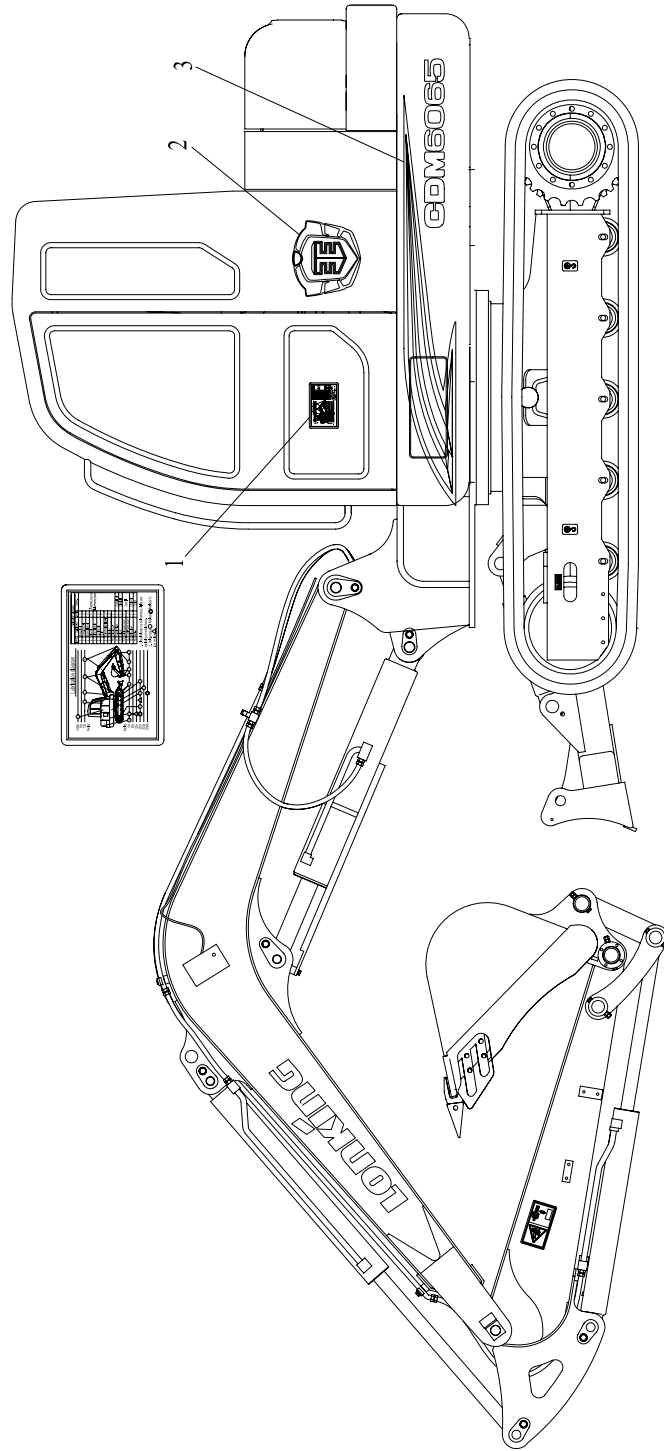


49 铭牌安置图 I
NAMEPLATE RECOGNITION I

序号 NO.	代码 S.C	代号 CODE	零件名称 PART NAME	PART NAME 零件名称	数量 QTY	备注 NOTE
1	30622100192	LG6065.22A-04	大标志1	MASTER LOGO	1	
2	30622100194	CDM6065.22-03	效率王标志	EFFICIENCY LOGO	1	
3	30622100151	CDM606.22B-04	注意标志	CAUTION MARK	1	
4	30622100261	LG6230.22A-09	警告标志	WARNING MARK	1	
5	30622100260	LG6230.22A-08	警告标志	WARNING MARK	1	
6	30622100149	CDM606.22B-02	操纵图示	OPERATION INSTRUCTION	1	
7	30622100247	CDM6235.22-05	警告标志	WARNING MARK	1	
8	30622100193	CDM6065.22-01	型号	MODEL	2	
9	30622100212	CDM606.22B-12	注意标志	CAUTION MARK	1	
10	30622100285	LG606.22A-21	标志	MARK	4	
11	30622100240	LG6230.22A-29	警告标志	WARNING MARK	2	
12	30622100187	CDM606.22B-05	动臂标志	BOOM LOGO	2	
13	30622100228	LG6230.22A-18	危险标志	DANGER MARK	2	

50 铭牌安置图 II

NAMEPLATE RECOGNITION II



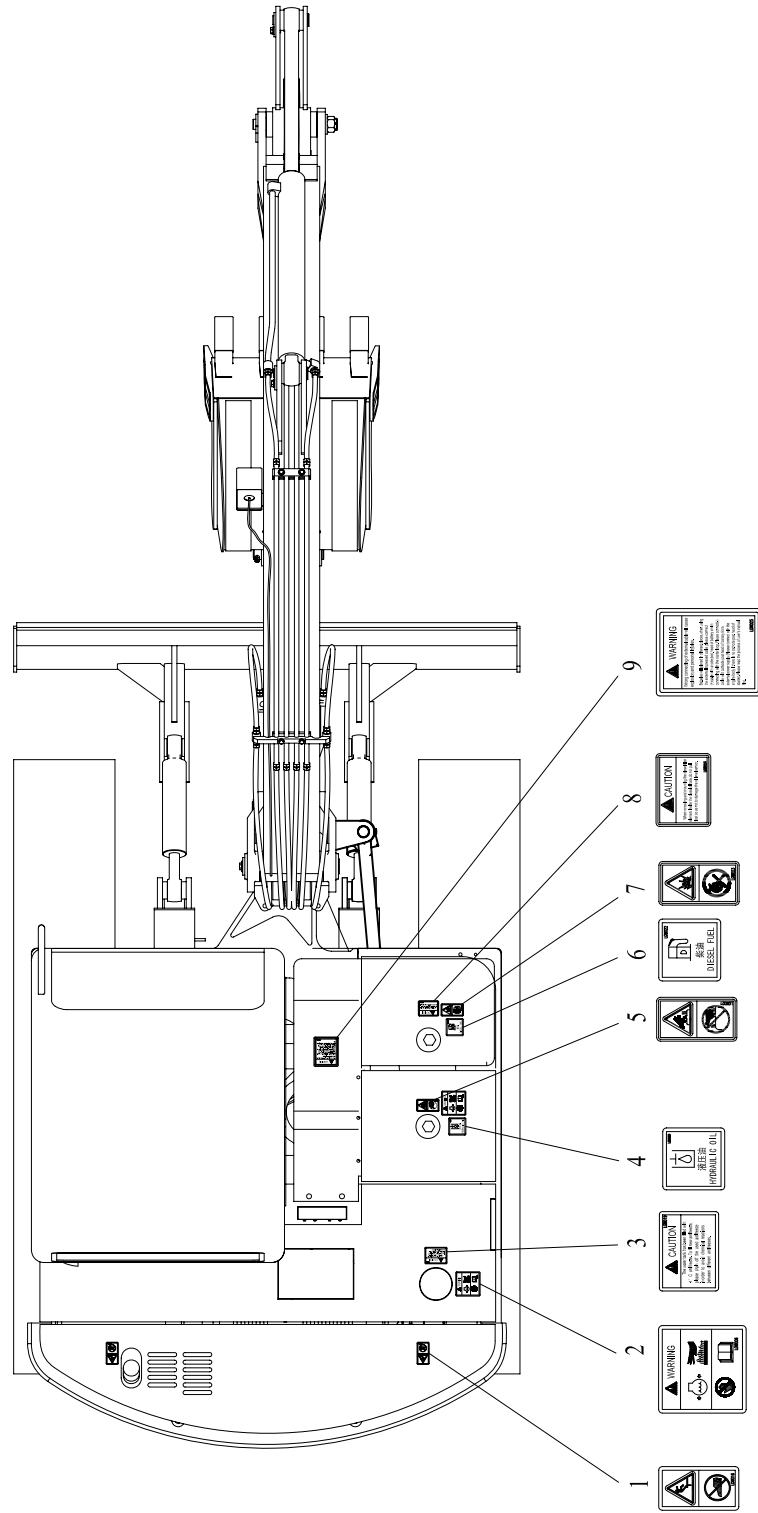
50 铭牌安置图 II

NAMEPLATE RECOGNITION II

序号 NO.	代码 S.C	代号 CODE	零件名称 PART NAME	PART NAME 零件名称	数量 QTY	备注 NOTE
1	30622100184	CDM6065.22-02	润滑图表	LUBRICATION DIAGRAM	1	
2	30622100150	CDM606.22B-03	效率王标志	EFFICIENCY LOGO	1	
3	30622100020	LG6065.22A-05	大标志2	MASTER LOGO	1	

51 铭牌安置图 III

NAMEPLATE RECOGNITION III

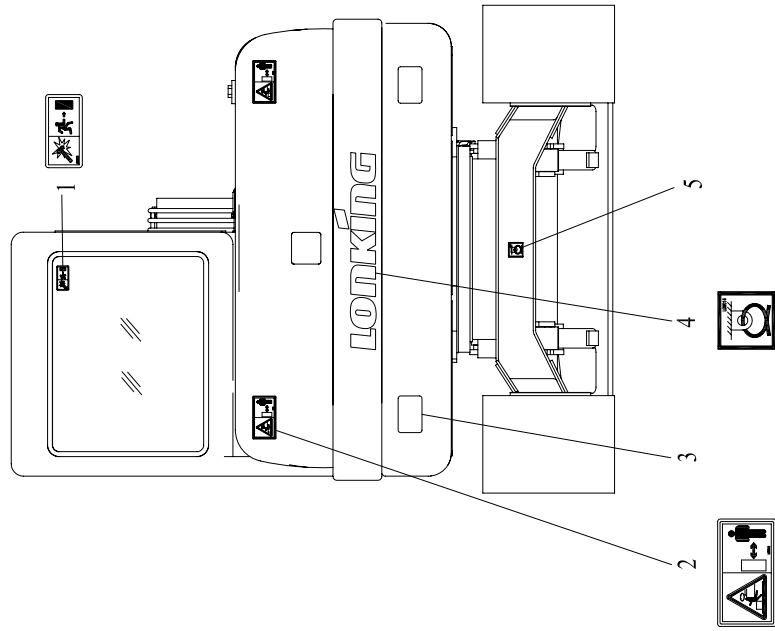


51 铭牌安置图 III

NAMEPLATE RECOGNITION III

序号 NO.	代码 S.C	代号 CODE	零件名称 PART NAME	PART NAME 零件名称	数量 QTY	备注 NOTE
1	30622100246	LG6230.22A-34	警告标志	WARNING MARK	2	
2	30622100275	CDM6235.22-16	警告标志	WARNING MARK	2	
3	30622100273	CDM6235.22-14	注意标志	CAUTION MARK	1	
4	30622100250	LG6230.22A-37	标志	MARK	1	
5	30622100249	LG6230.22A-36	警告标志	WARNING MARK	1	
6	30622100252	LG6230.22A-39	标志	MARK	1	
7	30622100251	LG6230.22A-38	警告标志	WARNING MARK	1	
8	30622100154	CDM606.22B-07	注意标志	CAUTION MARK	1	
9	30622100270	CDM6235.22-11	警告标志	WARNING MARK	1	

52 铭牌安置图 IV
NAMEPLATE RECOGNITION IV

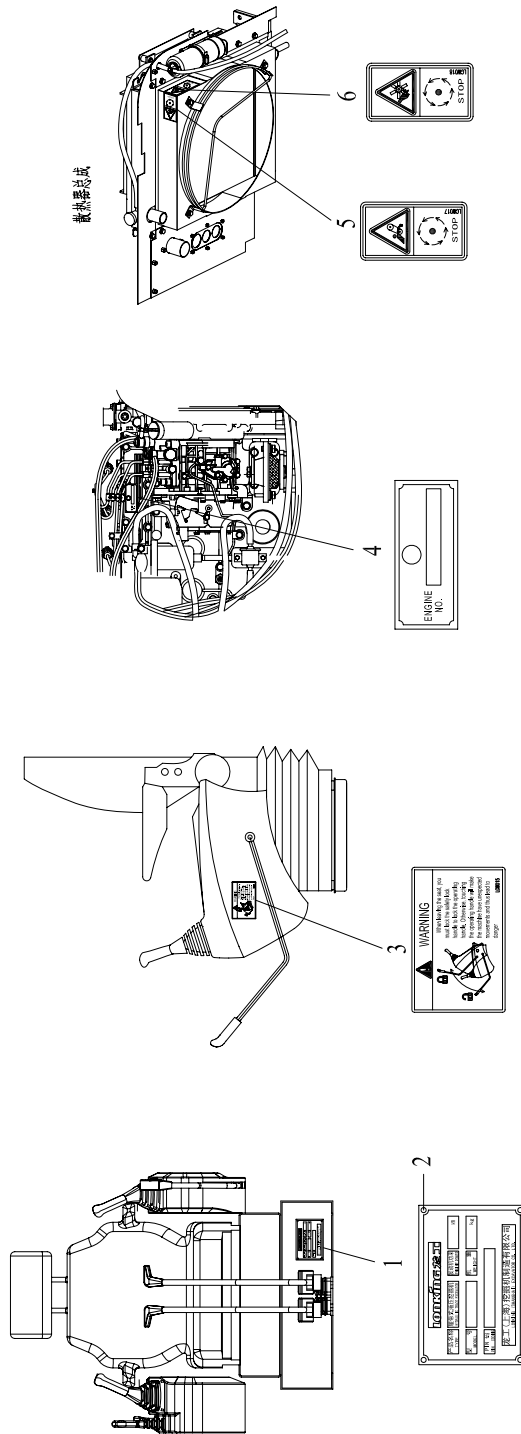


52 铭牌安置图 IV

NAMEPLATE RECOGNITION IV

序号 NO.	代码 S.C	代号 CODE	零件名称 PART NAME	PART NAME 零件名称	数量 QTY	备注 NOTE
1	30622100233	LG6230.22A-22	逃生标志	CAUTION MARK	1	
2	30622100229	LG6230.22A-19	危险标志	DANGER MARK	1	
3	30622100119	LG606.22A-16	反光标志	REFLECTOR MARK	2	
4	30622100011	LG606.22A-11	标志	MARK	1	
5	30622100238	LG6230.22A-27	整车牵引标志	TRACTION MARK FOR ENTIRE CAR	1	

53 铭牌安置图 V
NAMEPLATE RECOGNITION V



53 铭牌安置图 V

NAMEPLATE RECOGNITION V

序号 NO.	代码 S.C	代号 CODE	零件名称 PART NAME	PART NAME 零件名称	数量 QTY	备注 NOTE
1	30622100407	CDM6235.22-24	铭牌	NAMEPLATE	1	
2	51569000501	GB/T12618.1	抽芯铆钉4×8	SELF-PLUGGING RIVET	4	
3	30622100152	CDM606.22B-06	警告标志	WARNING MARK	1	
4	30622100165	CDM606.22B-10	发动机铭牌	ENGINE NAMEPLATE	1	
5	30622100014	LG606.22A-14	警告标志	WARNING MARK	1	
6	30622100118	LG606.22A-15	警告标志	WARNING MARKs	1	